

2981-20

- NOTICE -

This playset product is not intended for public use. It is intended for residential application and is not warranted for public or commercial use.



Call Us First!
DO NOT RETURN TO STORE.

For immediate help with assembly or product information

Call our toll-free number:

1-866-437-0784

April through October M - F 8:00 AM to 6:00 PM EST

Saturday 8:30 AM to 4:30 PM EST

November through March M - F 8:00 AM to 5:00 PM EST

or email:

customerservice@backyard-play.com

Our staff is ready to provide assistance.

(This page intentionally left blank.)

Customer Service
1-866-890-2211
1000 Ternes Drive
Monroe, MI 48162

Backyard Play Systems Playset

Model 4431, 5034,
6401

Recommended for Ages 3 to 11

- BEFORE YOU BEGIN -

Tools Required

Socket Set

Hammer

9/16" Combination
Wrench

3/16" Allen Wrench

#2 Square Drive
Bit

T-20 Torque Drive
Bit

#3 Phillips Bit

Cordless Drill
w/Charger

1/8" Drill Bit

7/16" Drill Bit

1/4" Drill Bit

3/8" Drill Bit

Tape Measure

Level

C - Clamps

8' Step Ladder

Framing/Speed
Square

First...

- Check with your homeowner's association before assembling.
- Read instructions thoroughly before you begin. If you have purchased accessories to accompany this play set, please read all installation instructions before beginning assembly of this structure.

Check All Parts

- If a part is missing, circle the part in question and call.

Important

- In a drawing, a dotted line represents a part hidden from view (like a part under a panel).

Adult Assistance required

- Assistance is necessary to handle, fit and secure some components.

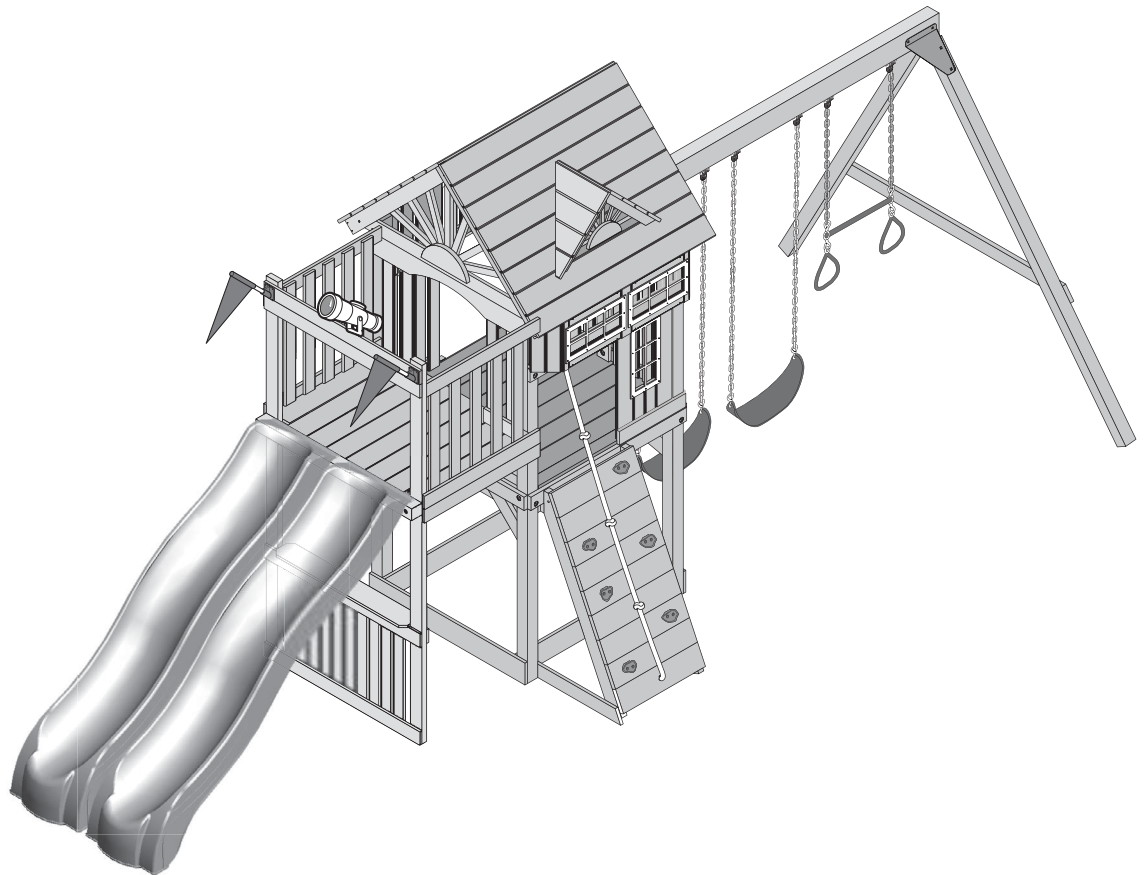
Squareness is very Important!

Start with a level surface and keep 90° corners and 90° perpendiculars throughout the assembly to ensure all components fit together.

Safety!

- Check for protruding screws and bolts, verify all screw and bolt lengths during assembly.

Always wear OSHA-APPROVED safety glasses throughout assembly process.



- NOTICE -

This playset product is not intended for public use. It is intended for residential application and is not warranted for public or commercial use.

Your premium playset is manufactured from wood which has many natural characteristics and blemishes that may be present in some of the pieces in your playset. These natural characteristics may include knots or minor cracks/splits. All individual parts have been cut to provide a smooth and safe surface. All parts have been inspected to assure we pack only the safest, most durable wood product. Any minor blemishes in your playset will not affect the strength, durability, or structural integrity of the finished product. Our limited warranty does not cover the imperfections not resulting in structural failure.

ASSEMBLY SAFETY and HELPFUL HINTS

STOP!

STOP!!! Check all parts and hardware before beginning. If any parts are missing or damaged please circle and call the phone number listed.
DO NOT CONTACT THE STORE OR RETURN YOUR PLAYSET !

STOP!

KEEP THIS INSTALLATION MANUAL FOR FUTURE CARE AND MAINTENANCE REFERENCE.

To aid in making your playset assembly easier, here is a listing of some helpful hints.

- Wear safety glasses during drilling, assembly of your playset.
- Children should not be allowed in the playset assembly and build area.
- Note the hole orientation on parts to avoid having to take parts apart later.
- Some steps require the assistance of two people to ensure proper assembly, safety during assembly, as well as preventing any damage to the playset.

STOP!

IMPORTANT HARDWARE INFORMATION

STOP!



- All hex bolts and lag bolts require a lock washer or lock nut.
- To properly install lock nuts, two to three threads must protrude past the lock nut and be exposed once tightened.



- Due to wood characteristics and the manufacturing process hex bolts may protrude past a surface. If this condition occurs add additional supplied washers to eliminate bolt protrusion.
- To aid in proper assembly pound T-nuts into their respective hole prior to assembly
- Pound in T-nuts while the part is on the ground to ensure proper seating.
- Use a soft material under parts when pounding in T-nuts to ensure no scratching or de-facing of parts.



- Make sure all fasteners used are as specified. Using a fastener not specified in a particular application may result in too much thread exposure or not enough thread engagement.

MAINTENANCE

Periodic maintenance is required to ensure safe enjoyment of your playset and optional accessories.

Observing the following procedures reduces the likelihood of serious or fatal injury.



Activity on your playset and optional accessories may loosen fasteners. Check all lock nuts, hex and lag bolts, quick clips, spring clips, acorn nuts, wood screws, and swing hangers for tightness and tighten as required. T-nuts should be inspected for full and proper seating into the wood.

- Checking, splitting and surface cracking are characteristics of all wooden playsets. This is caused by varying seasonal temperatures and moisture conditions. To minimize this checking and/or cracking you may coat your playset with a water repellent.

PLAYSET CHECKLIST

At the beginning of each play season:

- Tighten all hardware.
- Lubricate all metallic moving parts per manufacturer's instructions.
- Check all protective coverings on bolts, pipes, edges, and corners. Replace if they are loose, cracked, or missing.
- Check all moving parts including swing seats, ropes, cables, and chains for wear, rust, or other deterioration. Replace as needed.
- Check metal parts for rust. If found, sand and repaint using a nonleaded-based paint meeting the requirements of 16 CFR 1303.
- Check all wood members for deterioration and splinters. Sand down splinters and replace deteriorating wood members.
- Reinstall any plastic parts, such as swing seats or any other items that were removed for the cold season.
- Rake and check depth of loose fill protective surfacing materials to prevent compaction and to maintain appropriate depth. Replace as necessary.

Twice a month during play season:

- Tighten all hardware.
- Check all protective coverings on bolts, pipes, edges, and corners. Replace if they are loose, cracked, or missing.
- Rake and check depth of loose fill protective surfacing materials to prevent compaction and to maintain appropriate depth. Replace as necessary.

Once a month during play season:

- Lubricate all metallic moving parts per manufacturer's instructions.
- Check all moving parts including swing seats, ropes, cables, and chains for wear, rust, or other deterioration. Replace as needed.
- At the end of each play season or when the temperature drops below 10°F remove plastic swing seats, tents, sandbox cover, tire swing, slide and other items as specified by the manufacturer and take indoors or do not use.
- Rake and check depth of loose fill protective surfacing materials to prevent compaction and to maintain appropriate depth. Replace as necessary.

When you are ready to dispose of your playset, make sure that all metal, plastic and wood components are disposed of in accordance with local waste ordinances.

Buyer and/or owner should disassemble and dispose of the playground equipment in such a way that no unreasonable hazards will exist at the time the swing set is discarded.

PLAYGROUND SURFACING MATERIALS

SECTION 4 OF THE CONSUMER PRODUCT SAFETY COMMISSION'S OUTDOOR HOME PLAYGROUND SAFETY HANDBOOK⁹

Select Protective Surfacing

One of the most important things you can do to reduce the likelihood of serious head injuries is to install shock-absorbing protective surfacing under and around your play equipment. The protective surfacing should be applied to a depth that is suitable for the equipment height in accordance with ASTM Specification F 1292. There are different types of surfacing to choose from; whichever product you select, follow these guidelines:

NOTE: Do not install home playground equipment over concrete, asphalt, or any other hard surface. A fall onto a hard surface can result in serious injury to the equipment user. Grass and dirt are not considered protective surfacing because wear and environmental factors can reduce their shock absorbing effectiveness. Carpeting and thin mats are generally not adequate protective surfacing. Ground level equipment – such as a sandbox, activity wall, playhouse or other equipment that has no elevated play surface – does not need any protective surfacing.

Loose-Fill Materials:

- Maintain a minimum depth of 9 inches of loose-fill materials such as wood mulch/chips, engineered wood fiber (EWF), or shredded/recycled rubber mulch for equipment up to 8 feet high; and 9 inches of sand or pea gravel for equipment up to 5 feet high. NOTE: An initial fill level of 12 inches will compress to about a 9-inch depth of surfacing over time. The surfacing will also compact, displace, and settle, and should be periodically refilled to maintain at least a 9-inch depth.
- Use a minimum of 6 inches of protective surfacing for play equipment less than 4 feet in height. If maintained properly, this should be adequate. (At depths less than 6 inches, the protective material is too easily displaced or compacted.)
- Use containment, such as digging out around the perimeter and/or lining the perimeter with landscape edging. Don't forget to account for water drainage. U.S. Consumer Product Safety Commission, Washington, D.C., 20207 or call the toll-free hotline :1-800-638-2772
- Check and maintain the depth of the loose-fill surfacing material. To maintain the right amount of loose-fill materials, mark the correct level on play equipment support posts. That way you can easily see when to replenish and/or redistribute the surfacing.
- Do not** install loose fill surfacing over hard surfaces such as concrete or asphalt.

Poured-In-Place Surfaces or Pre-Manufactured Rubber Tiles:

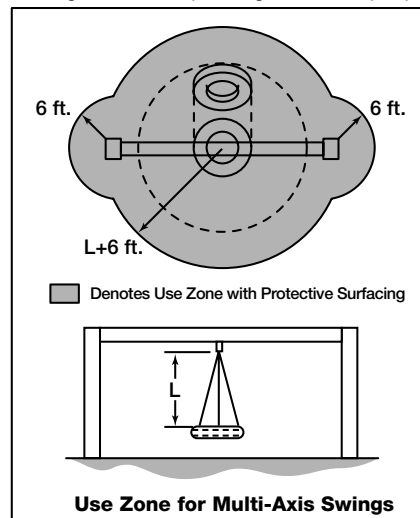
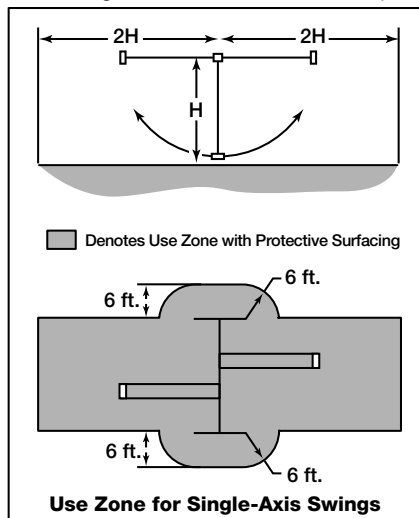
You may be interested in using surfacing other than loose-fill materials – like rubber tiles or poured-in-place surfaces.

- Installations of these surfaces generally require a professional and are not "do-it-yourself" projects.
- Review surface specifications before purchasing this type of surfacing. Ask the installer/manufacturer for a report showing that the product has been tested to the following safety standard: ASTM F 1292 Standard Specification for Impact Attenuation of Surfacing Materials within the Use Zone of Playground Equipment. This report should show the specific height for which the surface is intended to protect against serious head injury. This height should be equal to or greater than the fall height – vertical distance between a designated play surface (elevated surface for standing, sitting, or climbing) and the protective surfacing below – of your play equipment.
- Check the protective surfacing frequently for wear.

Placement

Proper placement and maintenance of protective surfacing is essential. Be sure to

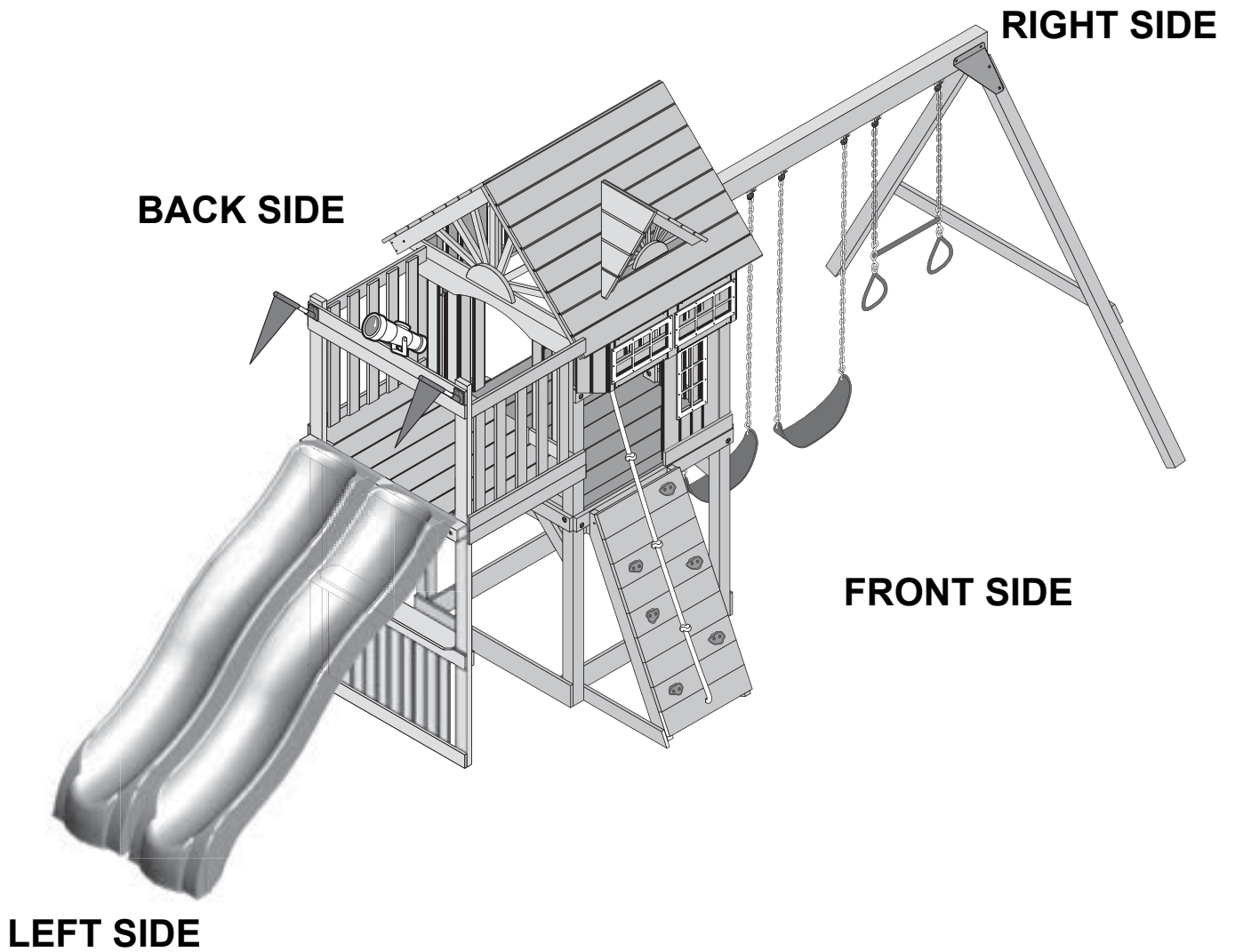
- Extend surfacing at least 6 feet from the equipment in all directions.
- For to-fro swings, extend protective surfacing in front of and behind the swing to a distance equal to twice the height of the top bar from which the swing is suspended.
- For tire swings, extend surfacing in a circle whose radius is equal to the height of the suspending chain or rope, plus 6 feet in all directions.



⁹ This information has been extracted from the CPSC publications "Playground Surfacing—Technical Information Guide" and "Handbook for Public Playground Safety." Copies of these reports can be obtained by sending a postcard to the: Office of Public Affairs, U.S. Consumer Product Safety Commission, Washington, D.C., 20207 or call the toll-free hotline: 1-800-638-2772

Hint

Throughout this manual references made to the *Left Side*, the *Right Side*, the *Front Side* and the *Back Side* of the playset serve as a consistent reminder to help with assembly.



IMPORTANT!

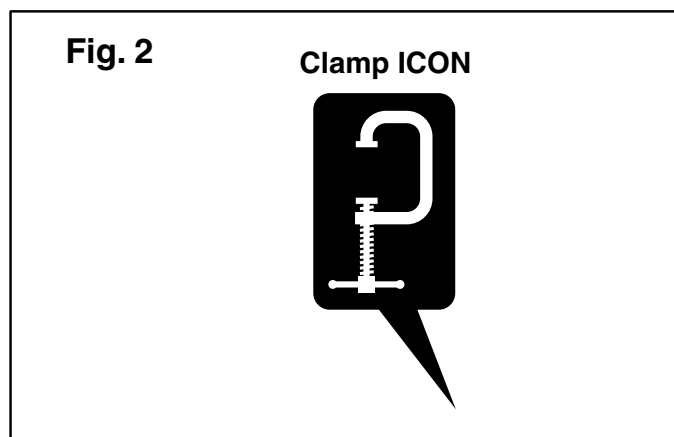
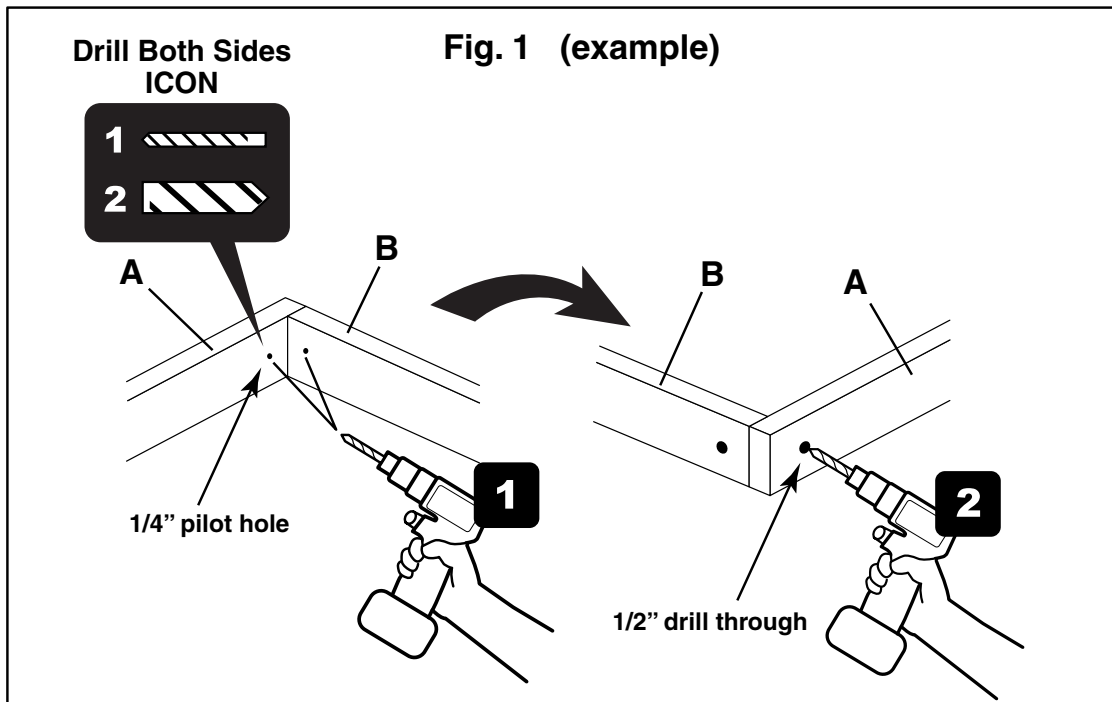
Use these Assembly Procedure Hints throughout the installation process.



1. All Lag Bolts must have pre-drilled holes. Use a 1/4" drill bit for all 3/8" Lag Bolts. Use a 3/16" drill bit for all 5/16" Lag Bolts. Pre-drilling pilot holes will help prevent Screws and Lag Bolts from breaking and wood from splitting during assembly.

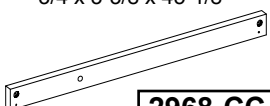
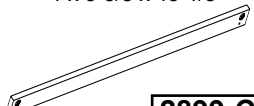
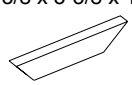
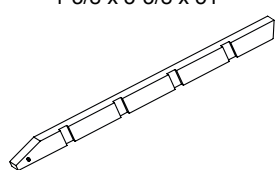

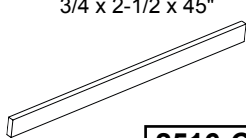
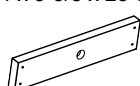
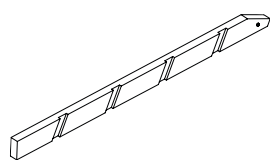
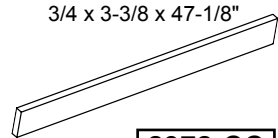
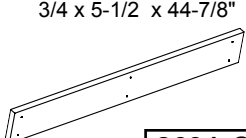
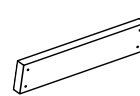
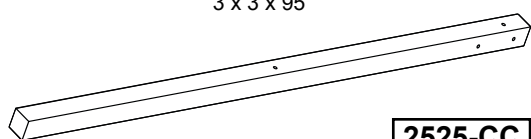
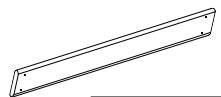
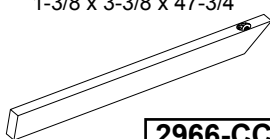
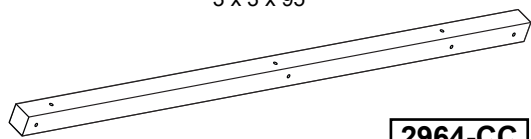
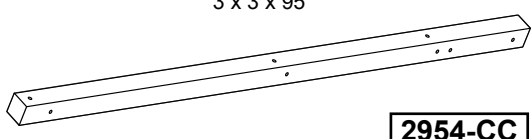
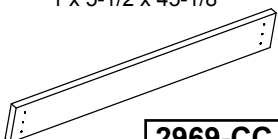
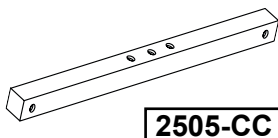
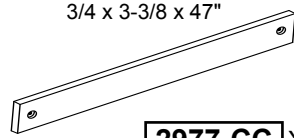

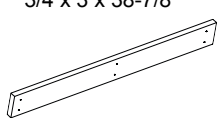
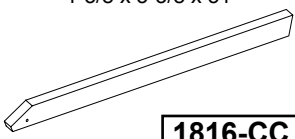
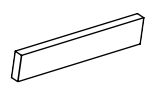
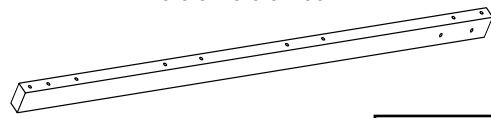
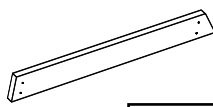

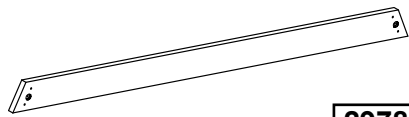
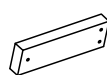
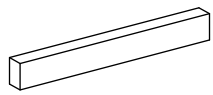
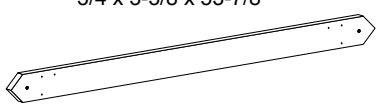

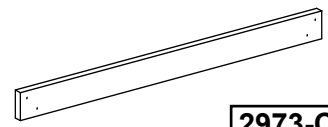
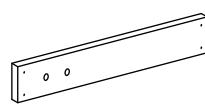
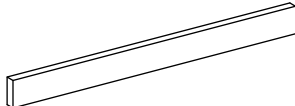
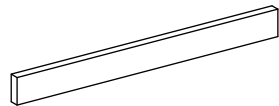
DO NOT OVER-TIGHTEN LAG BOLTS

2. In areas where drilling a larger 1/2" hole is necessary, such as when installing T-Nuts, (Fig. 1) the recommended procedure is to first drill-through a 1/4" pilot hole from the Hex Bolt side and then drill the larger 1/2" hole from the opposite T-Nut side. This will help avoid splintering the wood. The "**Drill Both Sides ICON**" (Fig. 1) will remind you to drill according to this procedure. Be sure to clean through-holes of debris before inserting Hex Bolts.
3. When assembling parts that are difficult to hold in position while pre-drilling pilot holes or assembling, use a clamp to keep parts aligned or in position. The "**Clamp ICON**" (Fig. 2) will advise you to use this procedure.



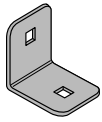
WOOD PARTS LIST

WOOD PARTS

<p>3/4 x 3-3/8 x 45-1/8"</p>  <p>2968-CC x1</p>	<p>1 x 3-3/8 x 45-1/8"</p>  <p>2899-CC x6</p>	<p>1-3/8 x 3-3/8 x 18"</p>  <p>2970-CC x4</p>	<p>1-3/8 x 3-3/8 x 51"</p>  <p>2521-CC x1</p>
<p>1 x 3-3/8 x 47-1/8"</p>  <p>2971-CC x1</p>	<p>3/4 x 2-1/2 x 45"</p>  <p>2516-CC x1</p>	<p>3/4 x 5-3/8 x 23-3/4"</p>  <p>2974-CC x1</p>	<p>1-3/8 x 3-3/8 x 51"</p>  <p>2522-CC x1</p>
<p>3/4 x 3-3/8 x 47-1/8"</p>  <p>2972-CC x2</p>	<p>3/4 x 5-1/2 x 44-7/8"</p>  <p>2691-CC x7</p>	<p>3/4 x 5-3/8 x 23-3/4"</p>  <p>2960-CC x2</p>	<p>3 x 3 x 95"</p>  <p>2525-CC x2</p>
<p>5/8 x 3-1/4 x 29-3/4"</p>  <p>2523-CC x16</p>	<p>1-3/8 x 3-3/8 x 47-3/4"</p>  <p>2966-CC x1</p>	<p>3 x 3 x 95"</p>  <p>2964-CC x2</p>	<p>3 x 3 x 95"</p>  <p>2954-CC x2</p>
<p>1 x 5-1/2 x 45-1/8"</p>  <p>2969-CC x4</p>	<p>3 x 3 x 45-1/8"</p>  <p>2505-CC x1</p>	<p>3/4 x 3-3/8 x 47"</p>  <p>2977-CC x1</p>	<p>3/4 x 3-3/8 x 28-5/8"</p>  <p>2955-CC x1</p>
<p>3/4 x 3-3/8 x 47"</p>  <p>2962-CC x2</p>	<p>1-3/8 x 3-3/8 x 51"</p>  <p>1816-CC x1</p>	<p>3/4 x 3 x 38-7/8"</p>  <p>2965-CC x1</p>	<p>3-3/8 x 5-3/8 x 95"</p>  <p>2502-CC x1</p>
<p>3/4 x 3-3/8 x 17"</p>  <p>2967-CC x1</p>	<p>1 x 3-1/2 x 15-3/8"</p>  <p>2524-CC x4</p>	<p>1 x 3-3/8 x 68-1/2"</p>  <p>2978-CC x1</p>	<p>3/4 x 3-3/8 x 12"</p>  <p>2975-CC x2</p>
<p>1-1/2 x 2-1/2 x 24"</p>  <p>2490-CC x1</p>	<p>3/4 x 3-3/8 x 53-7/8"</p>  <p>2976-CC x2</p>	<p>1-3/8 x 3-3/8 x 17-1/4"</p>  <p>PF 6295 x1</p>	<p>3/4 x 3-3/8 x 45-1/8"</p>  <p>2973-CC x5</p>
<p>3/4 x 5-3/8 x 23-3/4"</p>  <p>2950-CC x6</p>	<p>1 x 3-3/8 x 40-1/2"</p>  <p>2963-CC x2</p>	<p>1 x 3-3/8 x 37-1/8"</p>  <p>2964-CC x2</p>	

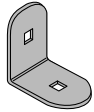
HARDWARE

90° Angle Bracket Plate



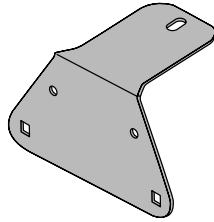
2485 x1

L-Bracket



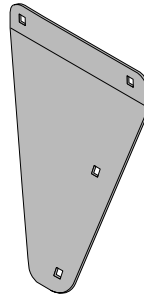
2412 x2

Swing Beam 90° Plate



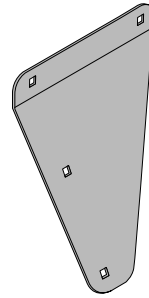
2449 x1

Swing Beam Angled Plate Left



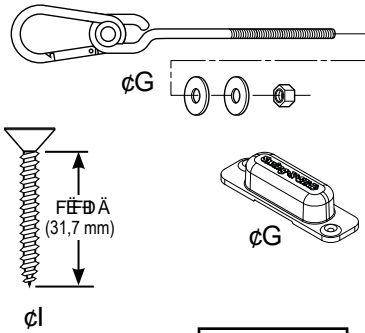
2448 x1

Swing Beam Angled Plate Right



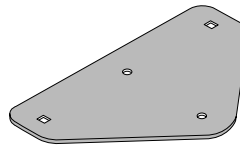
2447 x1

Swing Hanger



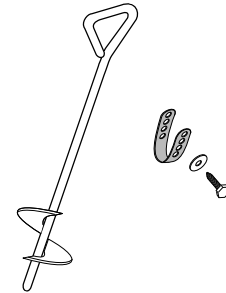
WS 4456 phi I

Swing Beam Flat Plate



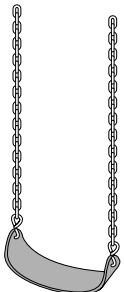
2411 x1

Anchor Stake



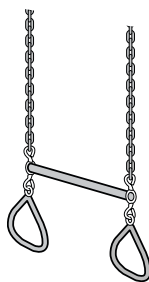
WS 4521 x4

Swing



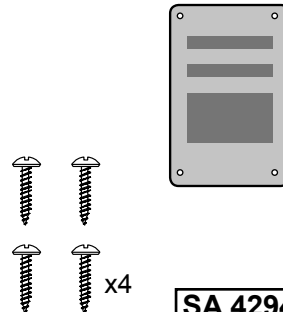
04-0039-Y/Y phi G

Trapeze



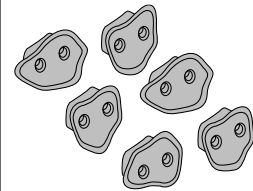
04-0006-G/G phi F

Safety Warning Plate



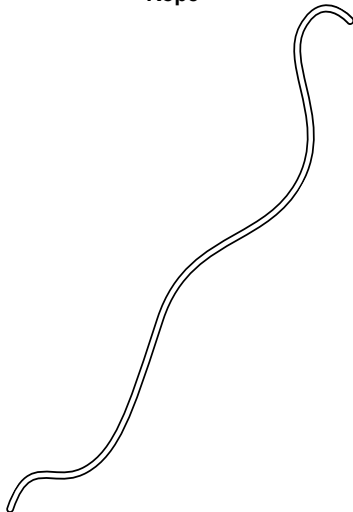
SA 4294 x1

Climbing Rocks



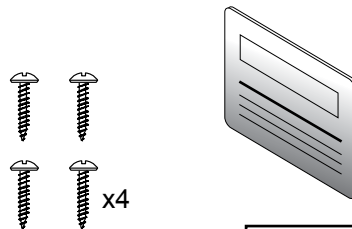
WS 4545 x6

Rope



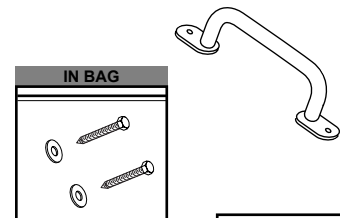
SA 3097 x1

Plaque



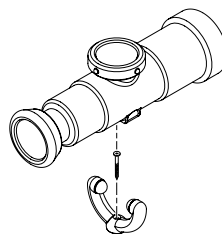
SA 4220 x1

Safety Handle



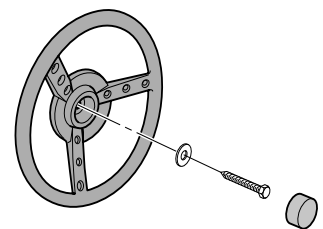
07-0005-G phi I

Telescope



07-0040-G/Y phi F

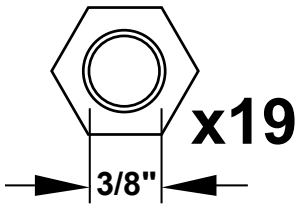
Steering Wheel



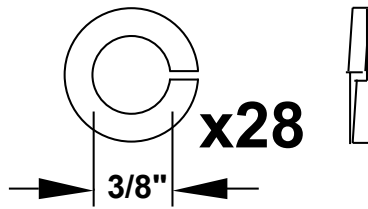
07-0004-Y phi F

ACCESSORIES

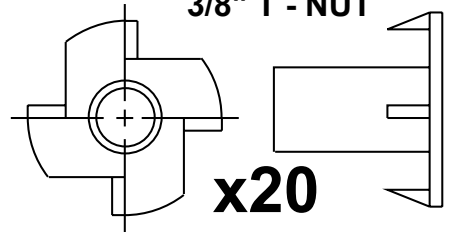
3/8" LOCK NUT



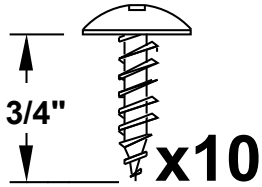
3/8" LOCK WASHER



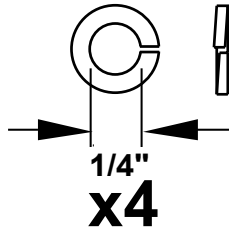
3/8" T - NUT



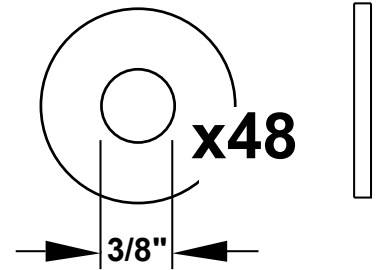
TRUSS HEAD SCREW



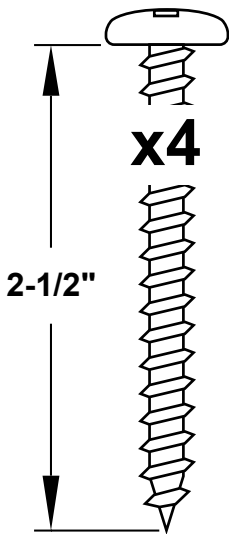
1/4" LOCK WASHER



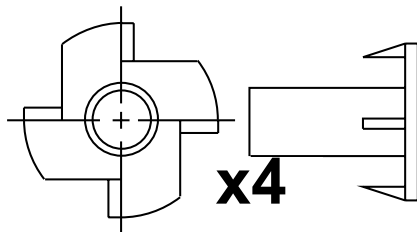
3/8" FLAT WASHER



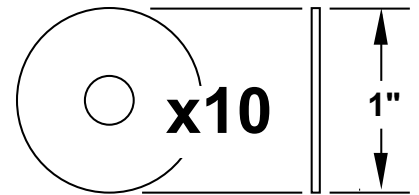
2-1/2" PAN HEAD SCREW



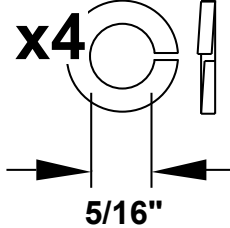
5/16" T - NUT



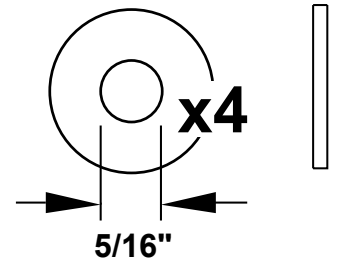
3/16" x 1" FENDER WASHER



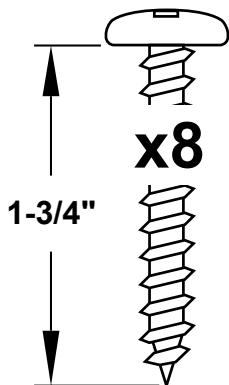
5/16" LOCK WASHER



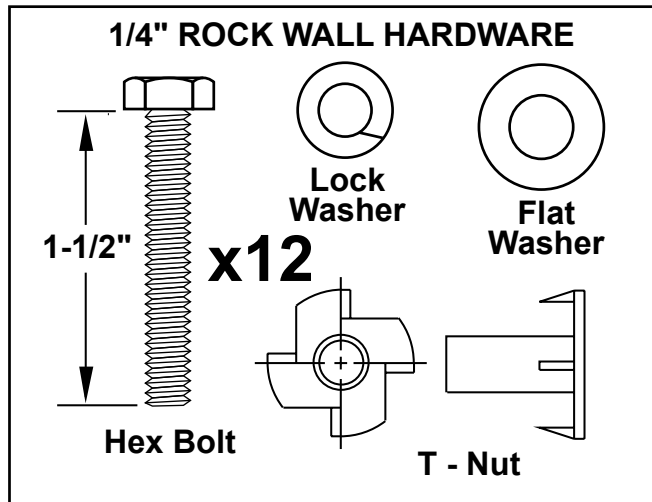
5/16" FLAT WASHER



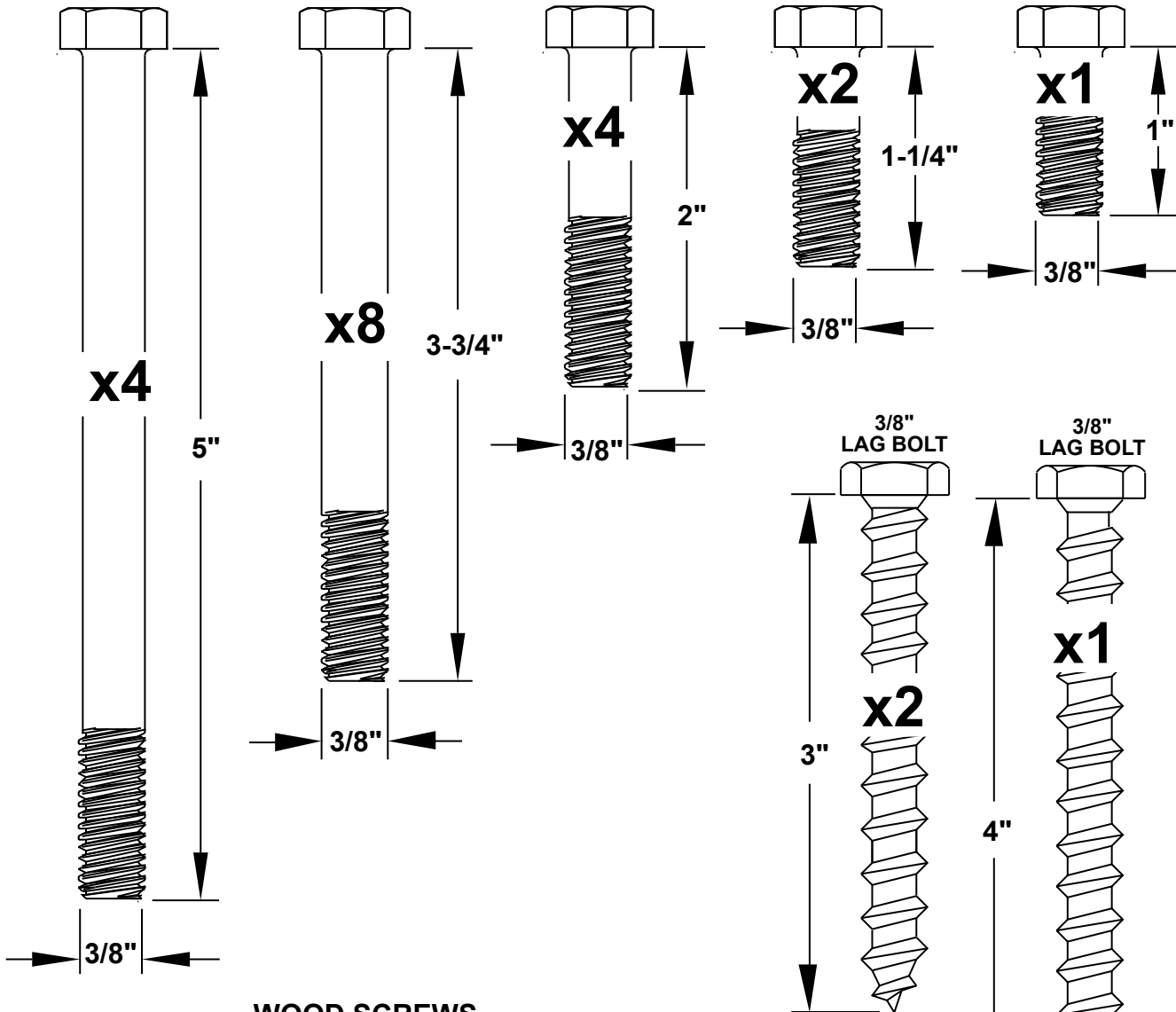
1-3/4" PAN HEAD SCREW



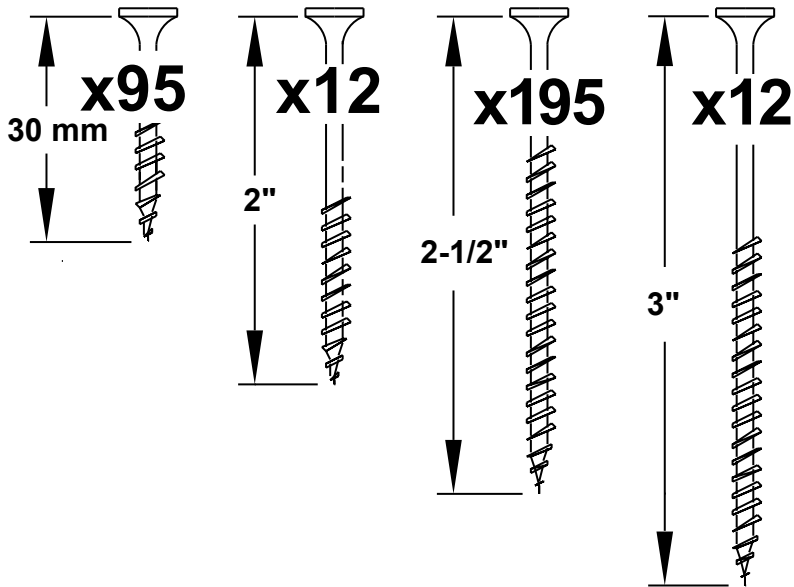
1/4" ROCK WALL HARDWARE

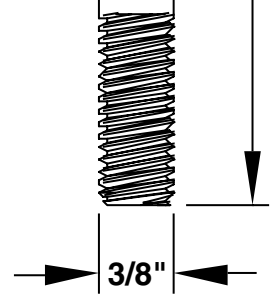
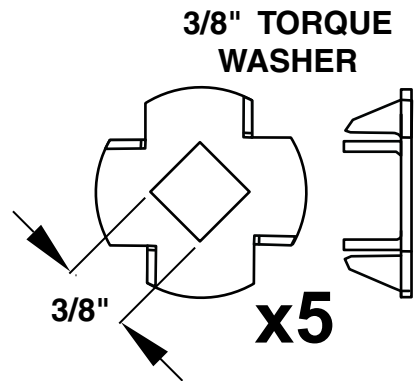
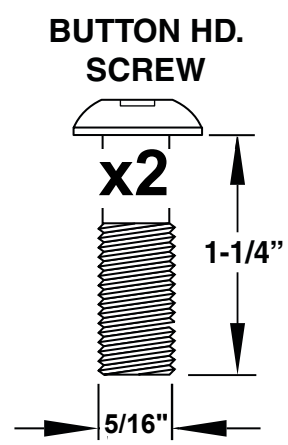
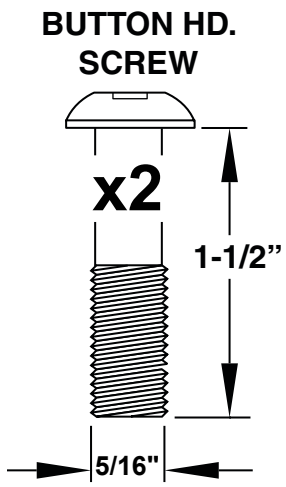
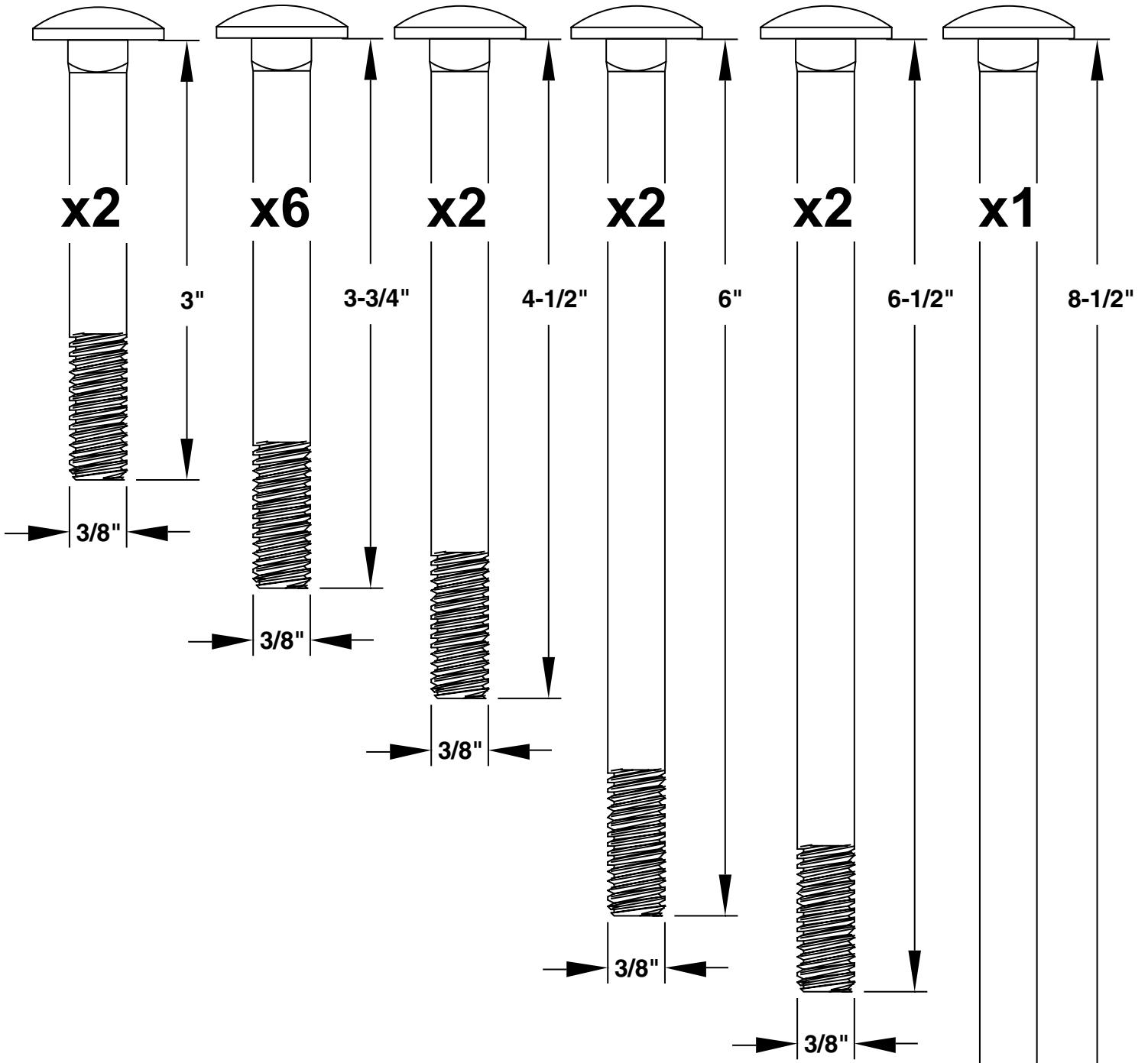


3/8" HEX HEAD BOLTS










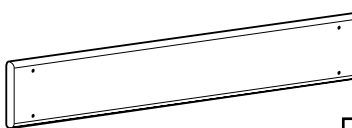

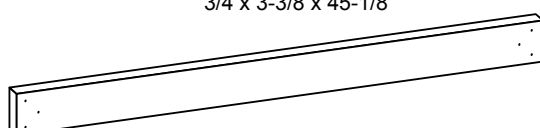

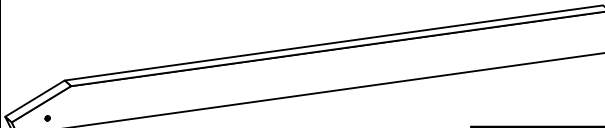

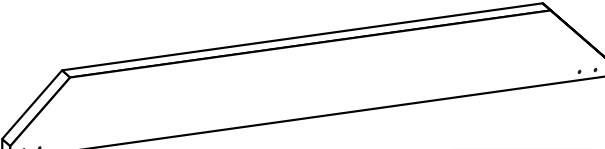
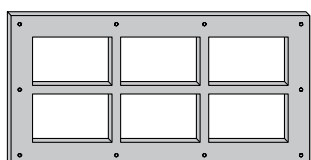
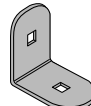
WOOD SCREWS





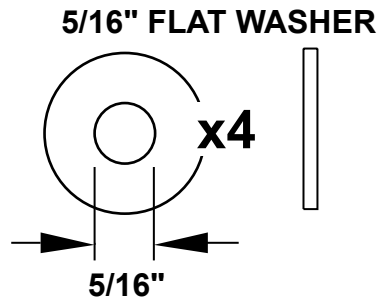
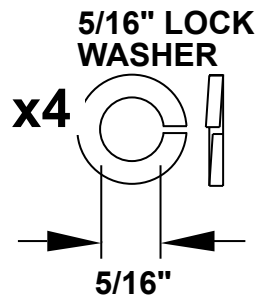
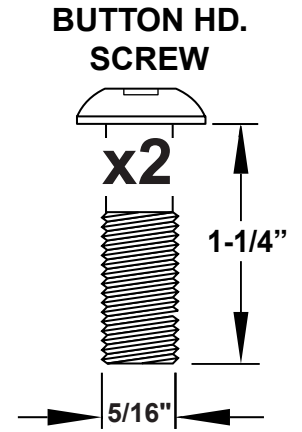
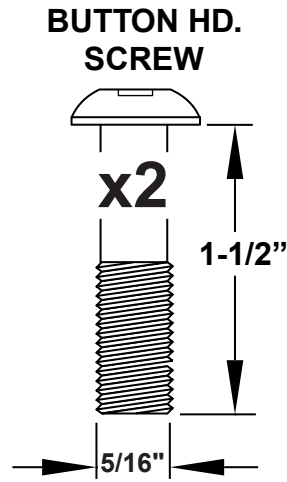
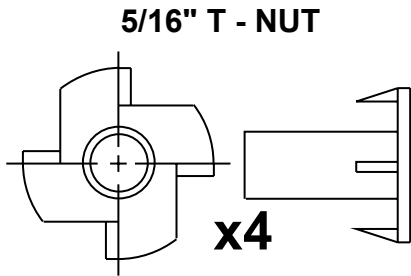
CLUBHOUSE PARTS LIST

CLUBHOUSE PARTS

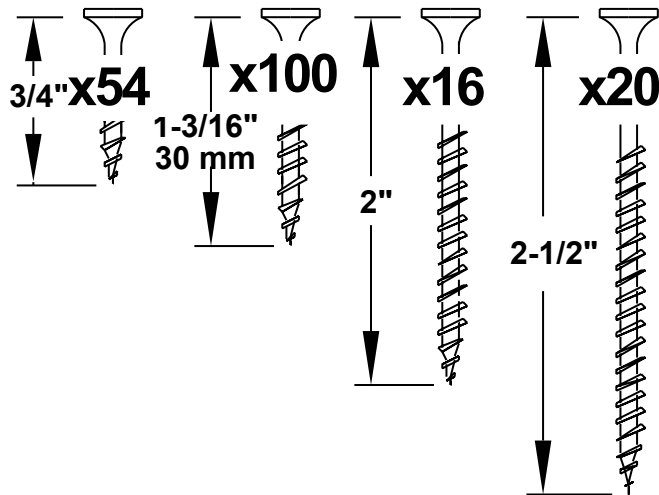
<p>3/4 x 3 x 6-15/16"</p>  <p>1806-CC x1</p>	<p>3/4 x 3-3/8 x 19-1/4"</p>  <p>1814-CC x4</p>
<p>3/4 x 3 x 10-5/16"</p>  <p>1807-CC x1</p>	<p>5/8 x 3-1/4 x 5"</p>  <p>1811-CC x2</p>
<p>5/8 x 1-7/8 x 12-7/16"</p>  <p>2852-CC x2</p>	<p>5/16 x 2-15/16 x 16-13/16"</p>  <p>2864-CC x2</p>
<p>5/8 x 3-1/4 x 12-7/16"</p>  <p>2853-CC x5</p>	<p>5/8 x 4-7/8 x 29-3/4"</p>  <p>1809-CC x2</p>
<p>5/8 x 3-1/4 x 14-3/4"</p>  <p>2855-CC x8</p>	<p>3/4 x 3-3/8 x 45-1/8"</p>  <p>1812-CC x2</p>
<p>5/8 x 3-1/4 x 17"</p>  <p>1813-CC x9</p>	<p>1-3/8 x 3-3/8 x 51"</p>  <p>1826-CC x1</p>
<p>5/8 x 3-1/4 x 9-1/2"</p>  <p>1810-CC x2</p>	<p>1 x 5-3/8 x 45-1/2"</p>  <p>1808-CC x2</p>
<p>Window</p>  <p>PF-2990 x5</p>	<p>L-Bracket</p>  <p>2412 x2</p>

CLUBHOUSE HARDWARE

C L U B H O U S E F A S T E N E R S

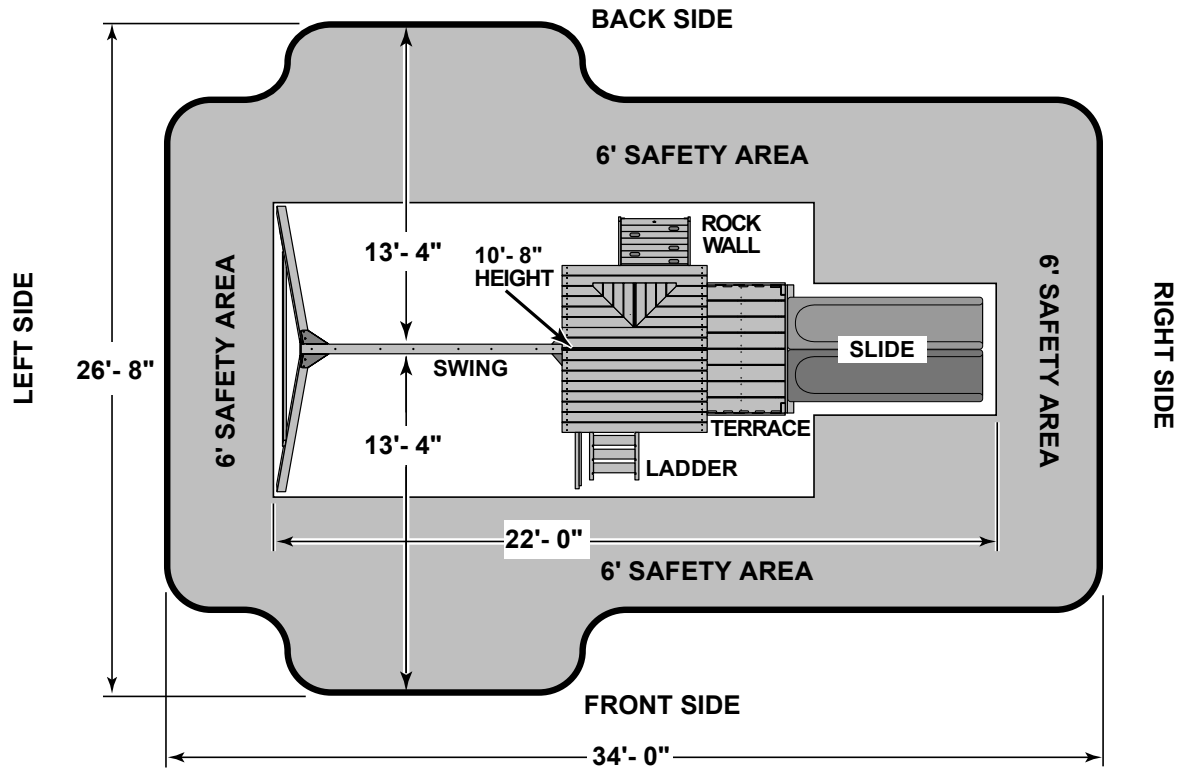


WOOD SCREWS



PLAYSET SET-UP

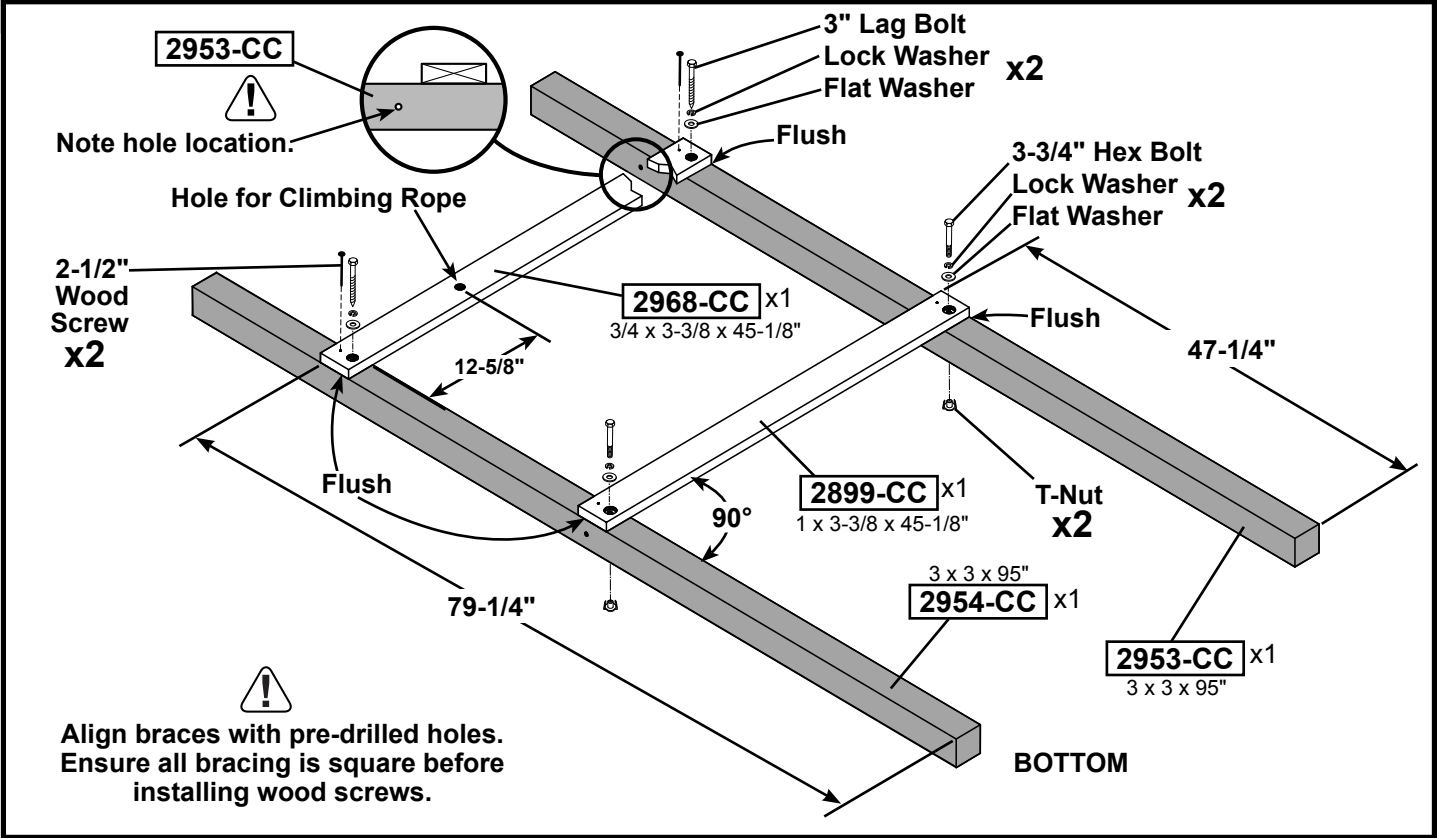
SAFETY AREA



(This space intentionally left blank.)

FORT

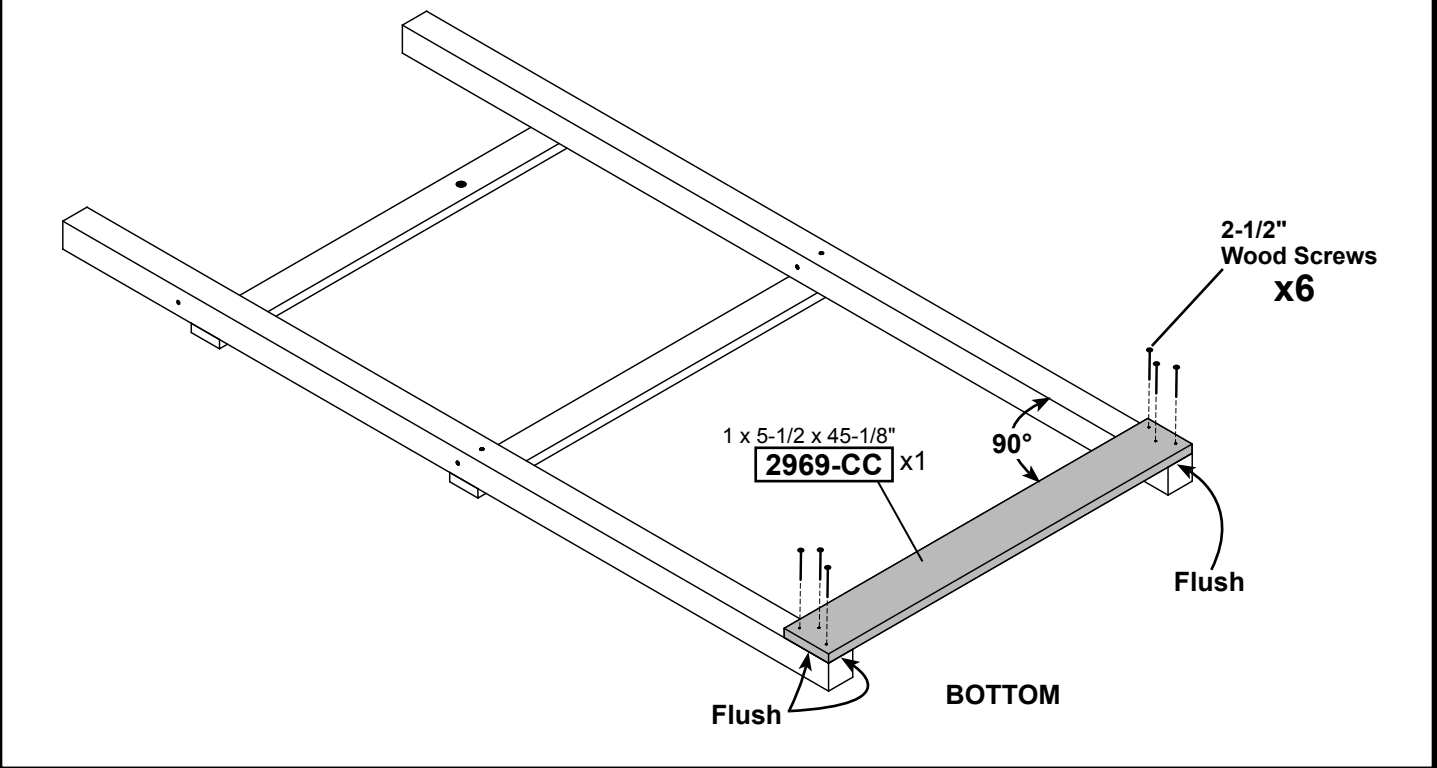
CORNER POSTS



FORT

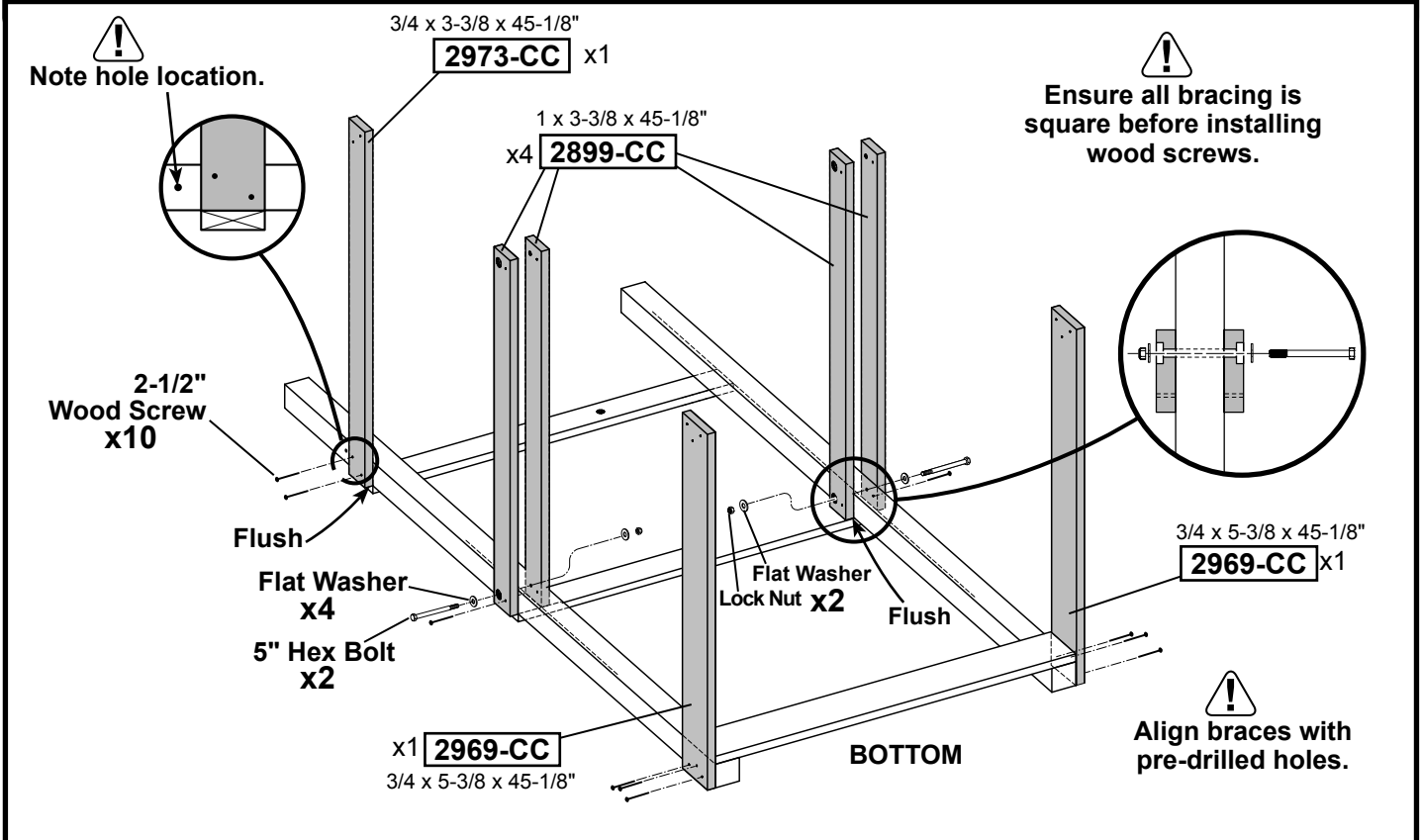
BOTTOM FRAME BRACE

FLIP ASSEMBLY OVER TO INSTALL BOTTOM BRACE.



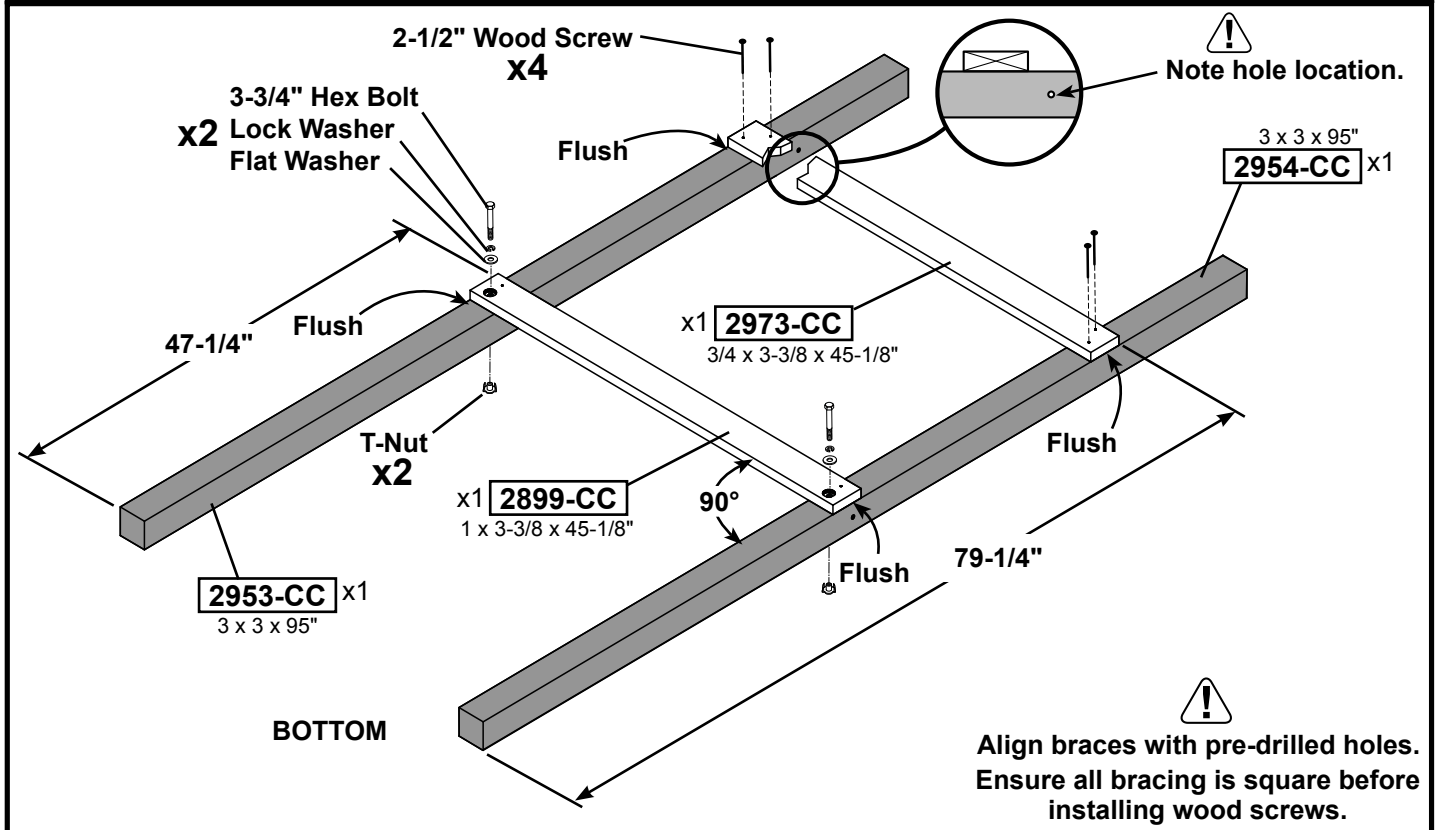
FORT

FRAME BRACING



FORT

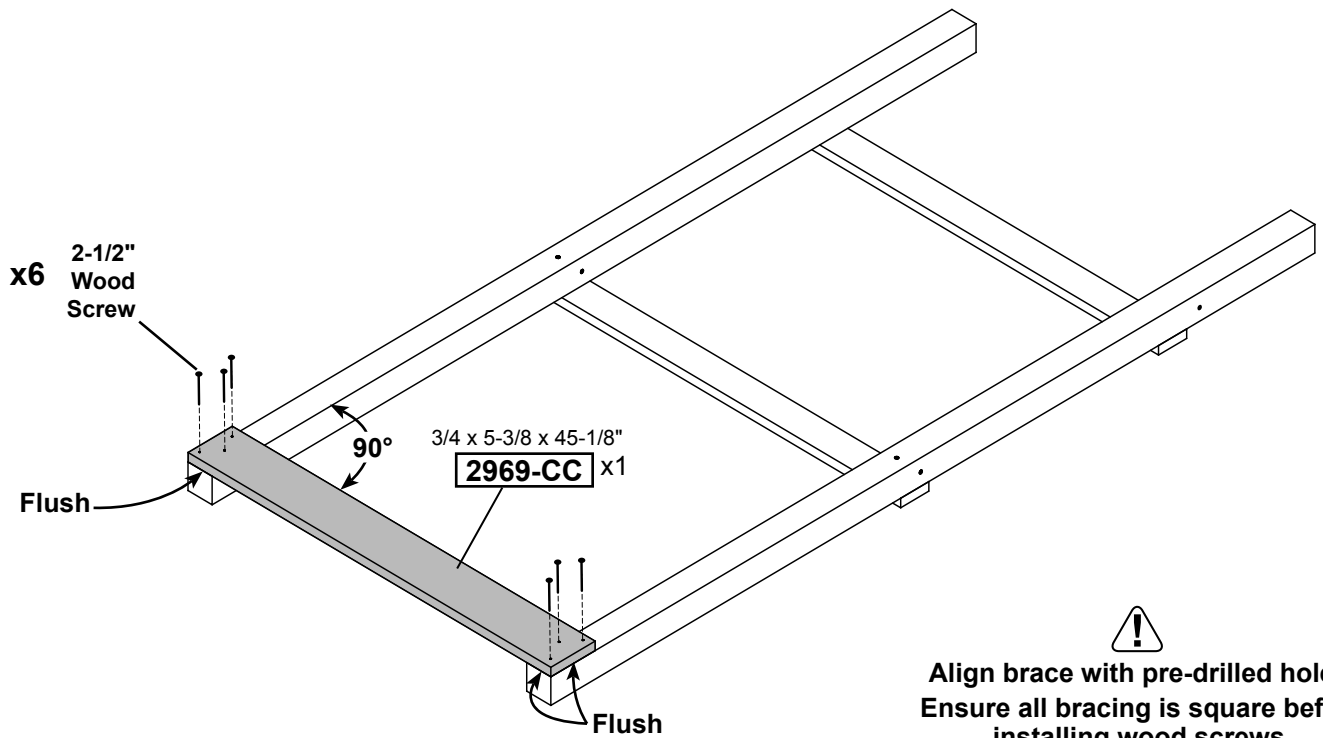
FRAME BRACING



FORT

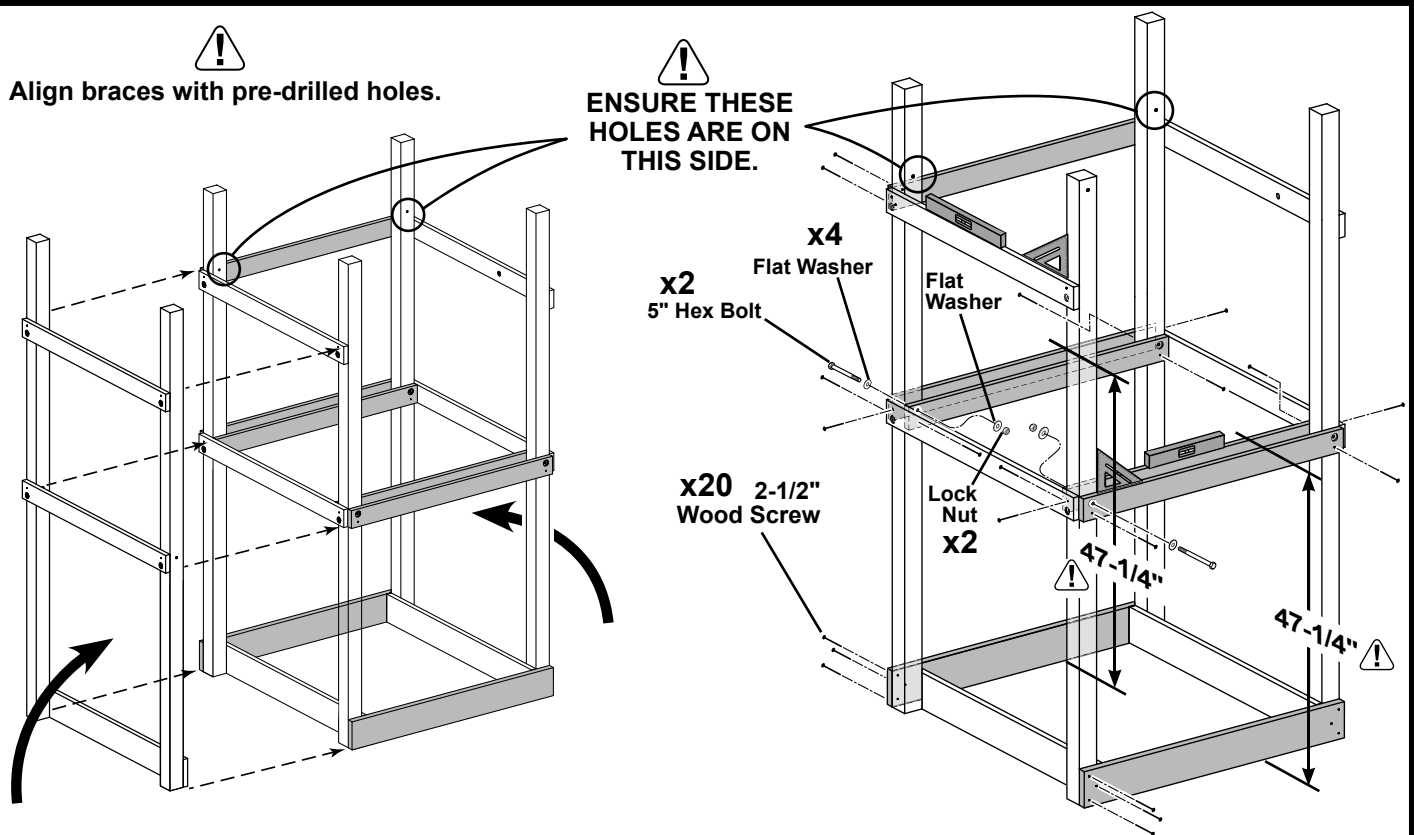
BOTTOM FRAME BRACE

FLIP ASSEMBLY OVER TO INSTALL BOTTOM BRACE.



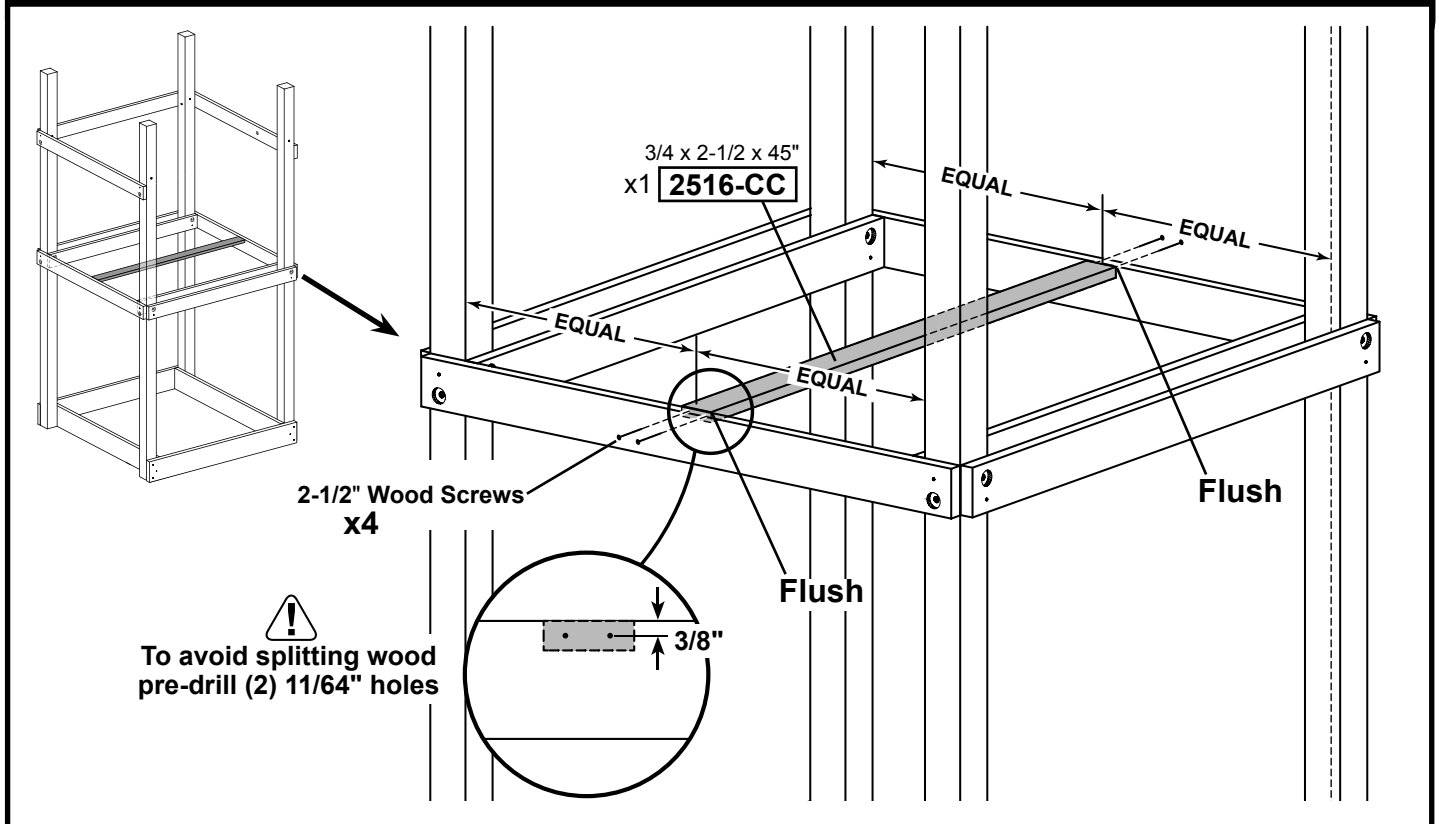
FORT

CONNECT FRAME SECTIONS



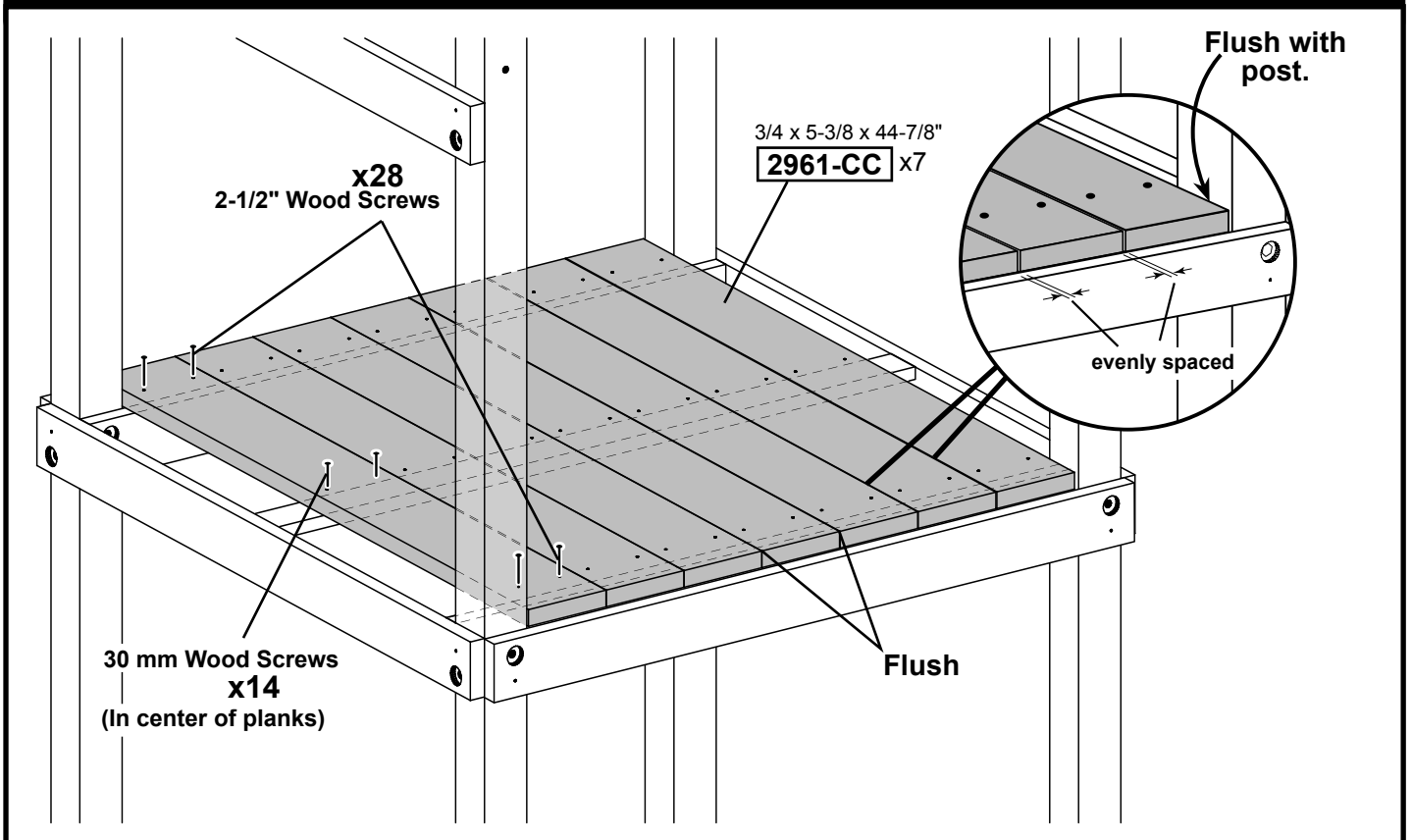
FORT

DECK CLEAT



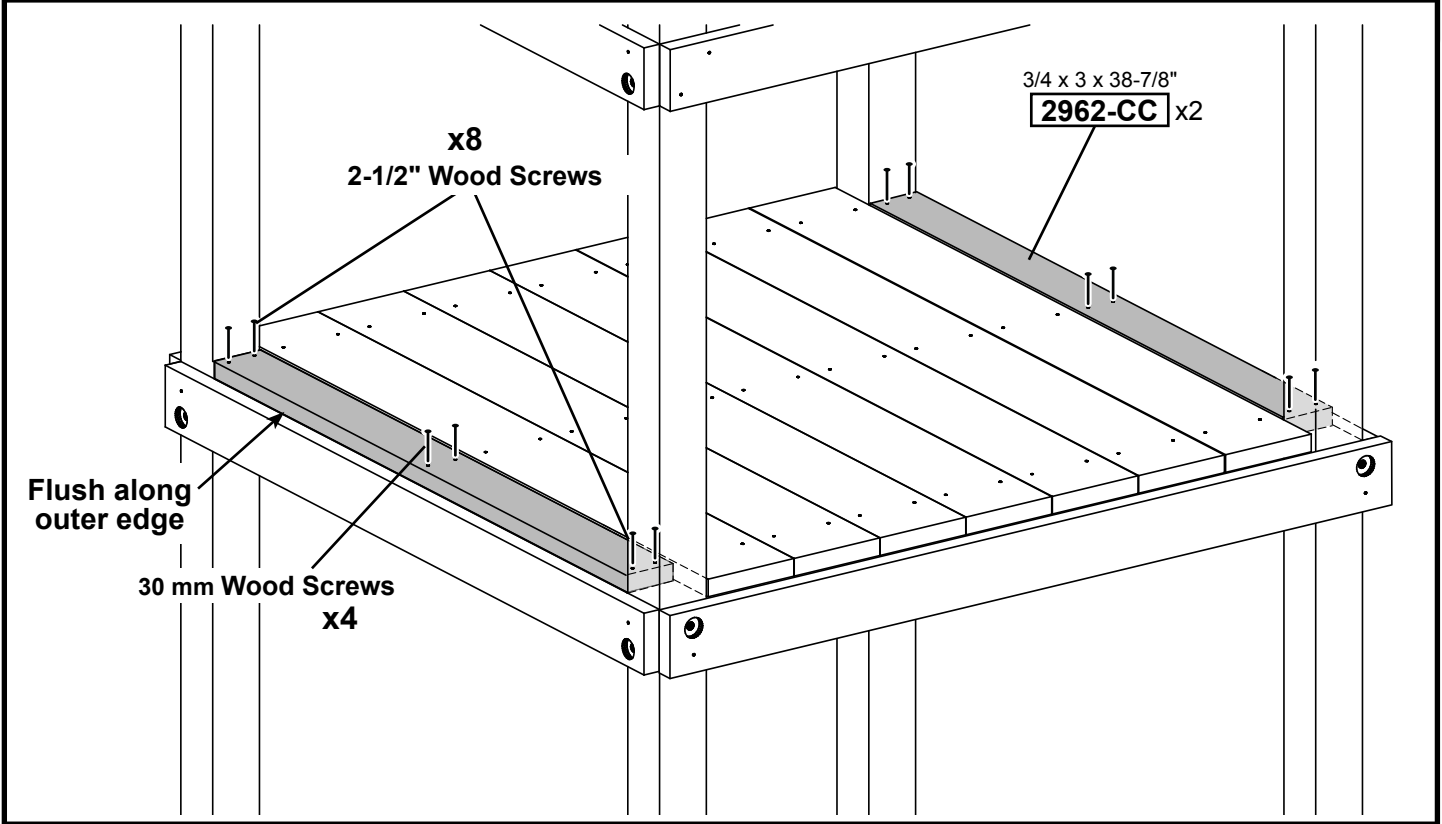
FORT

DECK PLANKS



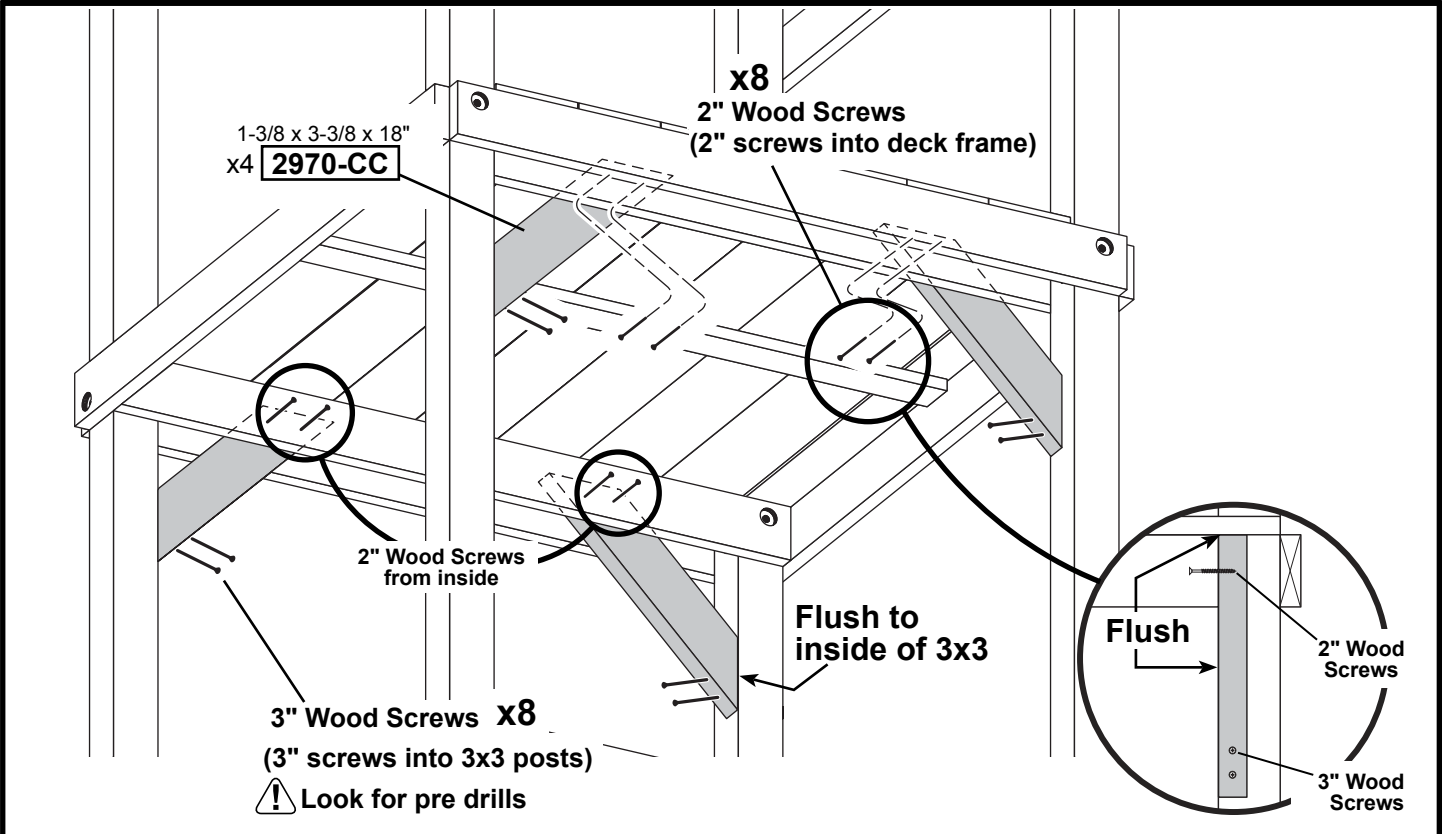
FORT

DECK PLANKS



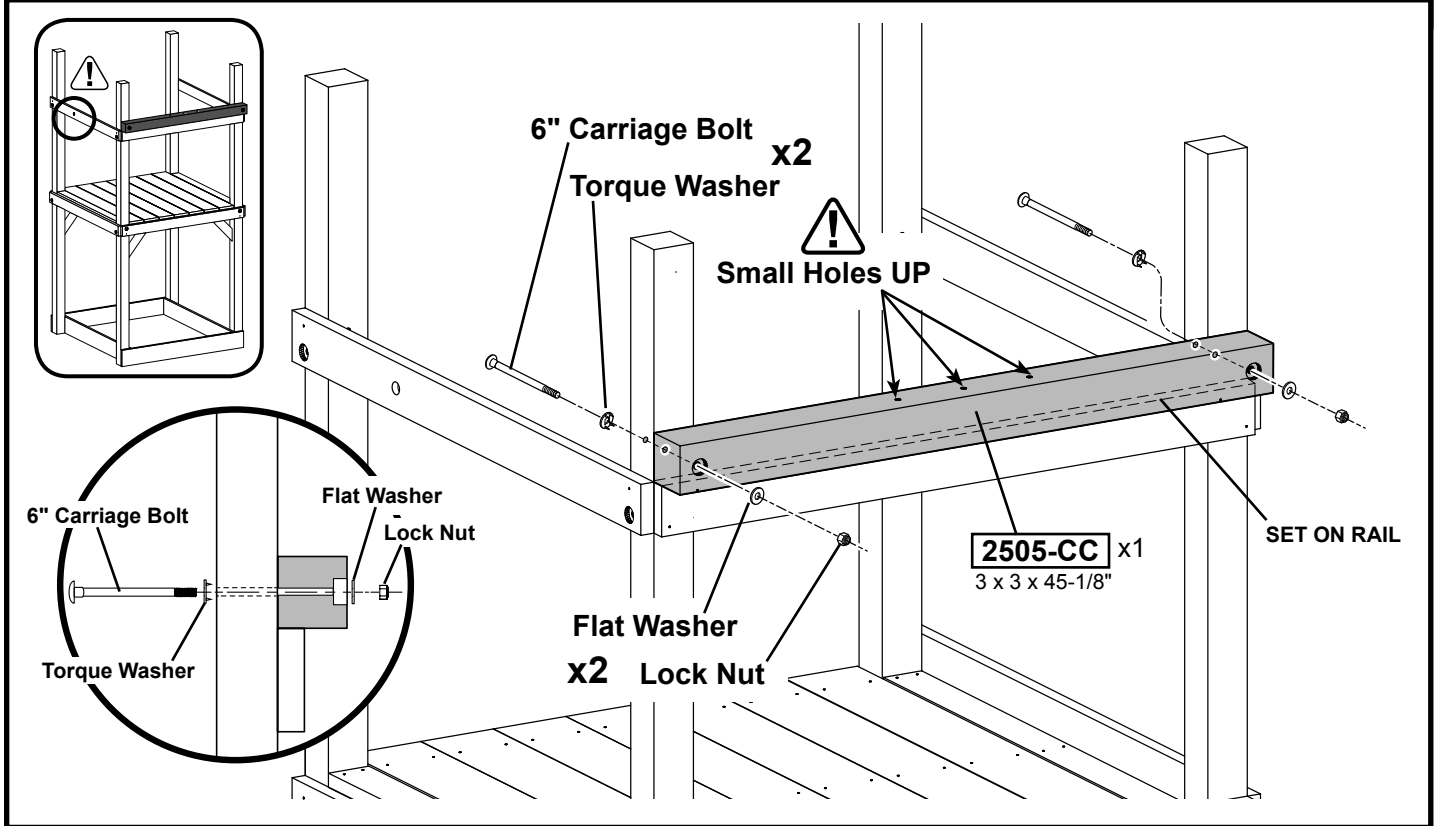
FORT

DECK SUPPORT



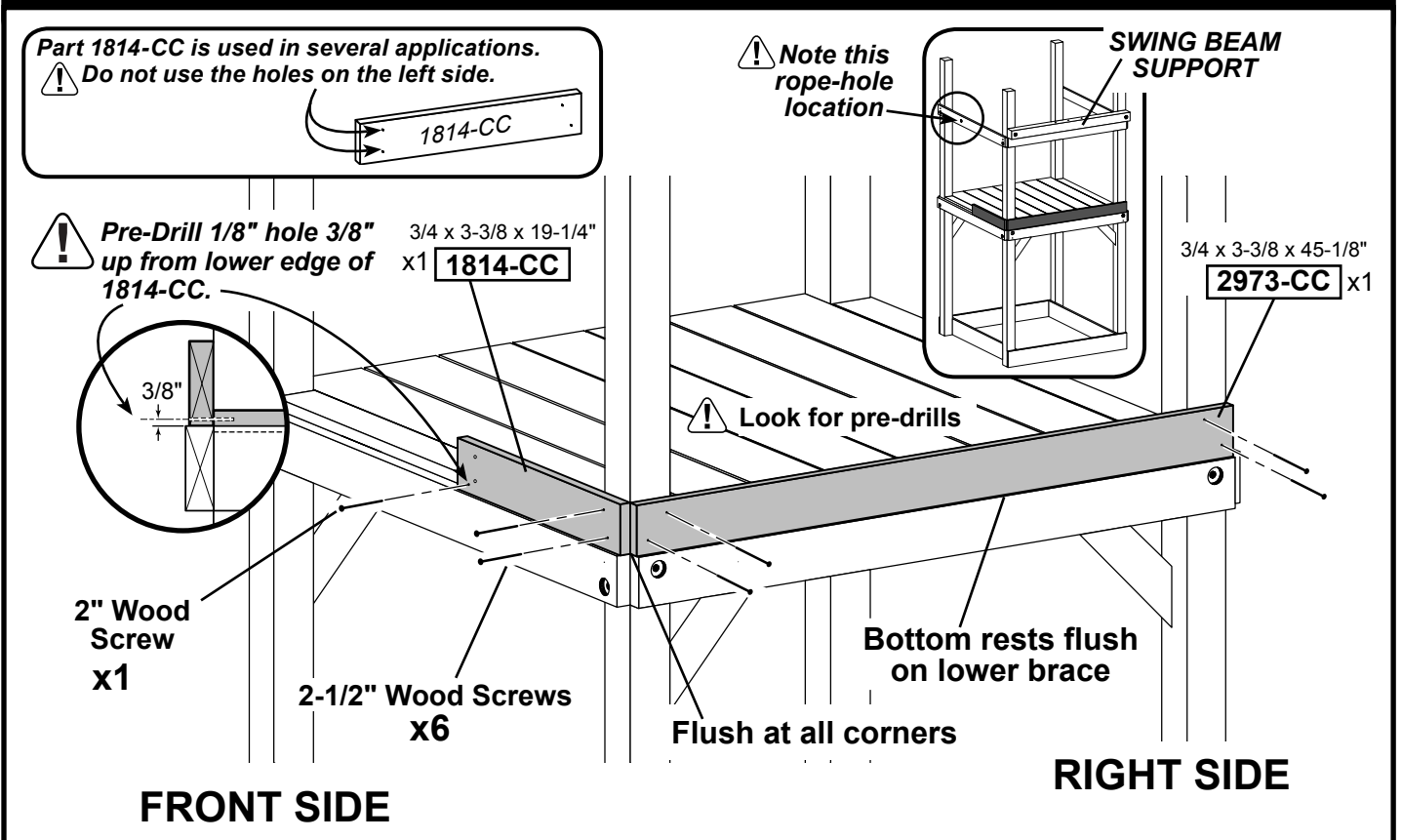
FORT

SWING BEAM SUPPORT



FORT

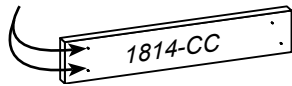
BALUSTER SUPPORTS



FORT

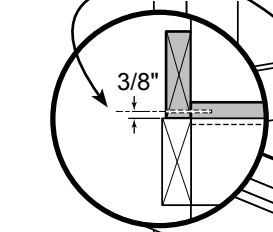
BALUSTER SUPPORT

Part 1814-CC is used in several applications.
⚠ Do not use the holes on the left side.



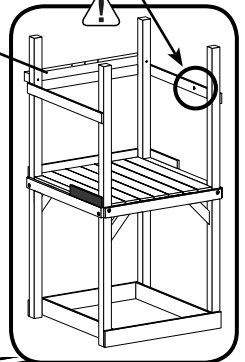
⚠ Pre-Drill 1/8" hole 3/8" up from lower edge of 1814-CC.

3/4 x 3-3/8 x 19-1/4" x1 **1814-CC**



SWING BEAM SUPPORT

Note this rope-hole location



Flush

LEFT SIDE

x1 2" Wood Screw

Bottom rests flush on lower brace.

2-1/2" Wood Screw x2

BACK SIDE

FORT

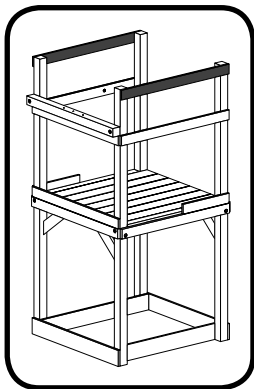
UPPER BRACES

2-1/2" Wood Screw x8

3/4 x 3-3/8 x 45-1/8" **1812-CC** x2

Flush

Flush



FORT

AUX. FLOOR SUPPORT

2-1/2" Wood Screw
x4

x1 **2973-CC**
3/4 x 3-3/8 x 45-1/8"

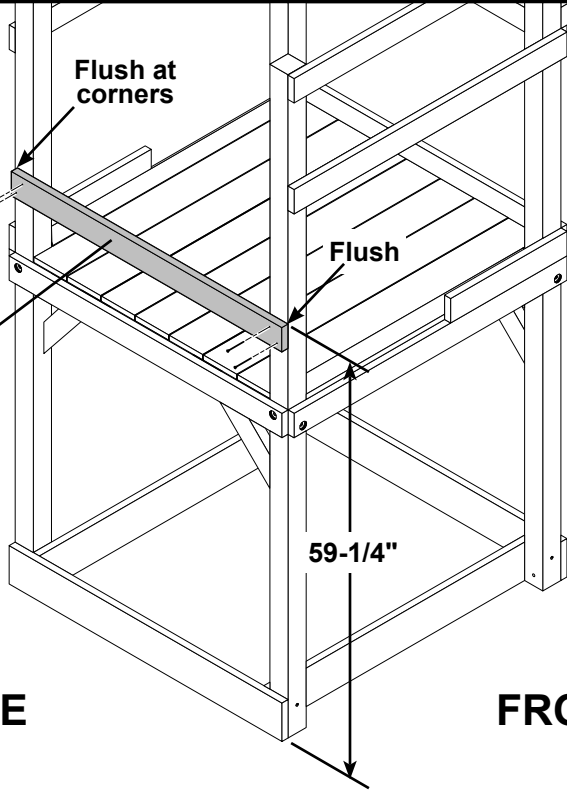
Flush at
corners

Flush

59-1/4"

LEFT SIDE

FRONT SIDE



FORT

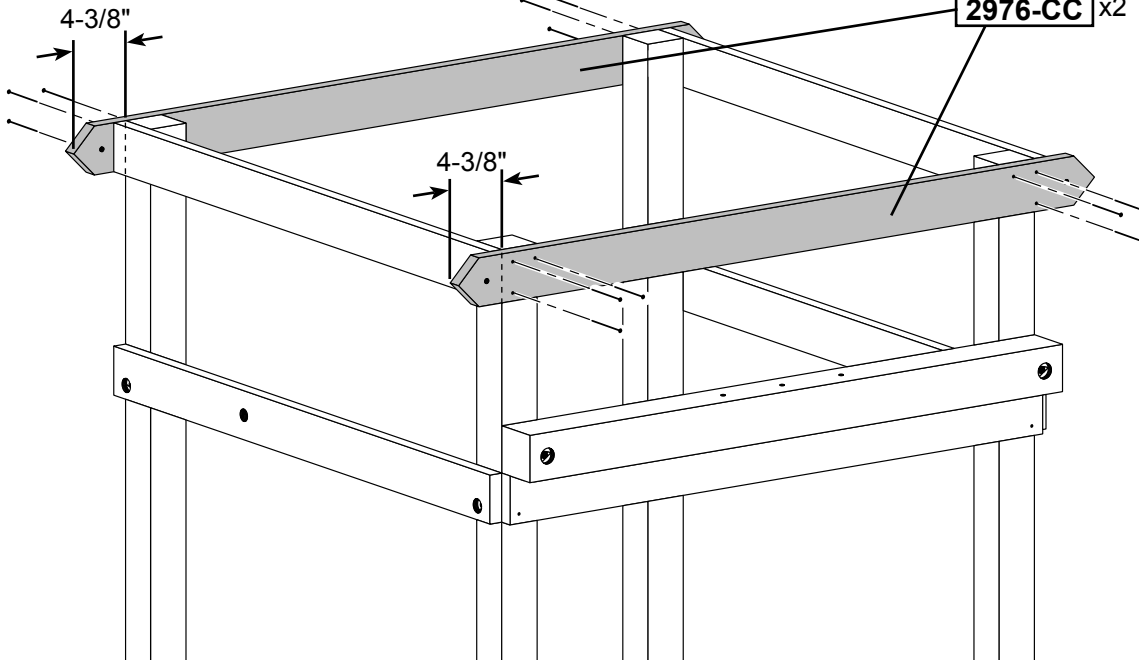
ROOF SUPPORT

2-1/2" Wood Screws
x12

3/4 x 3-3/8 x 53-7/8"
2976-CC x2


4-3/8"

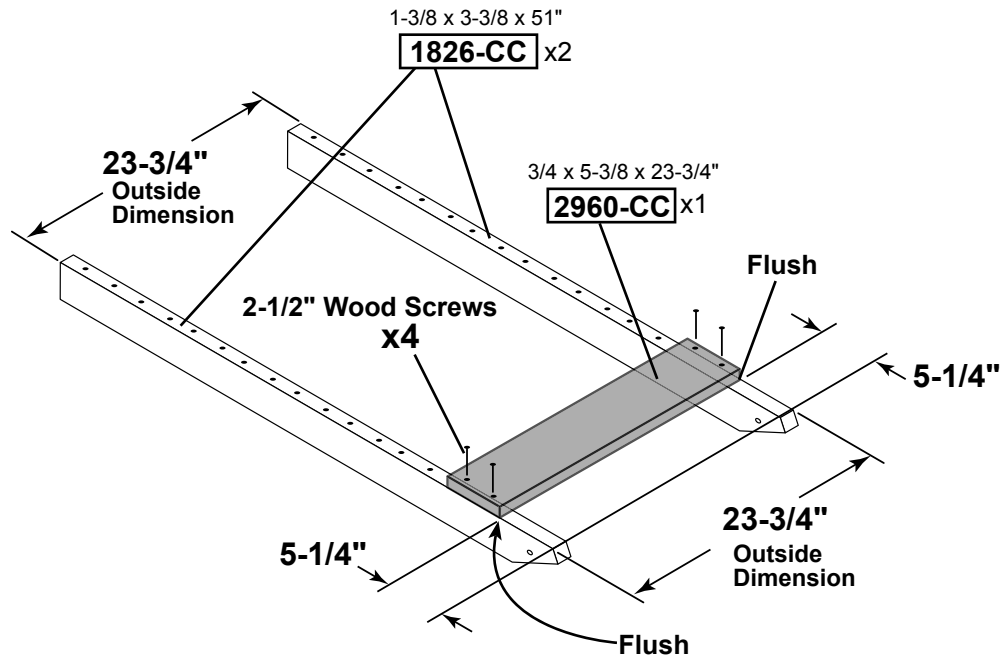
4-3/8"



ROCK WALL

ASSEMBLE

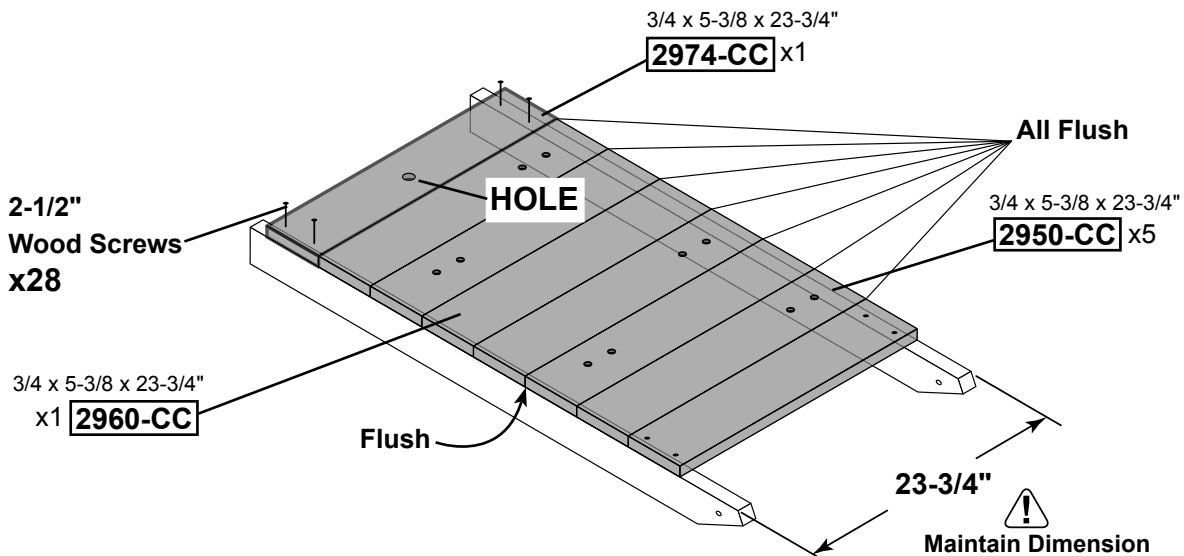
 Rail (1826-CC) may have full or partially pre-drilled holes.
Align screws with the pre-drilled holes in rails (1826-CC).



ROCK WALL

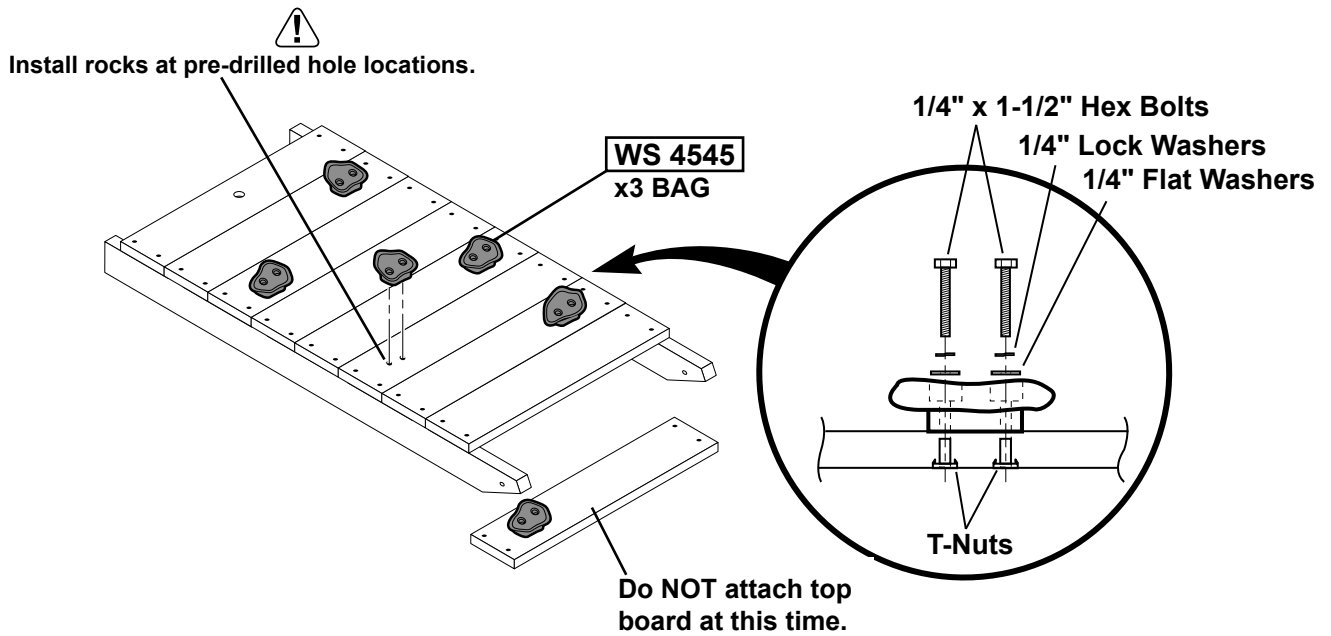
ASSEMBLE

Place planks onto rails (1826-CC) as shown.
If rails are fully pre-drilled, align all planks and screws with pre-drills.
If rails are not pre-drilled, install planks flush to each other.
Secure planks using 2-1/2" wood screws.



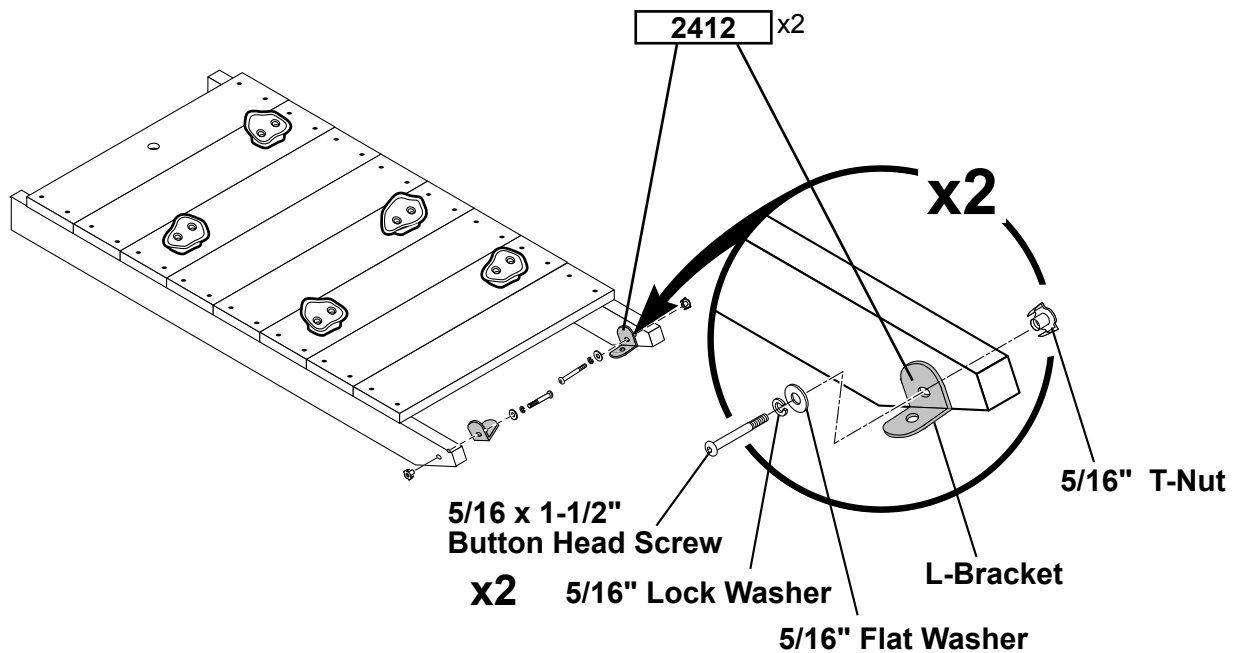
ROCK WALL

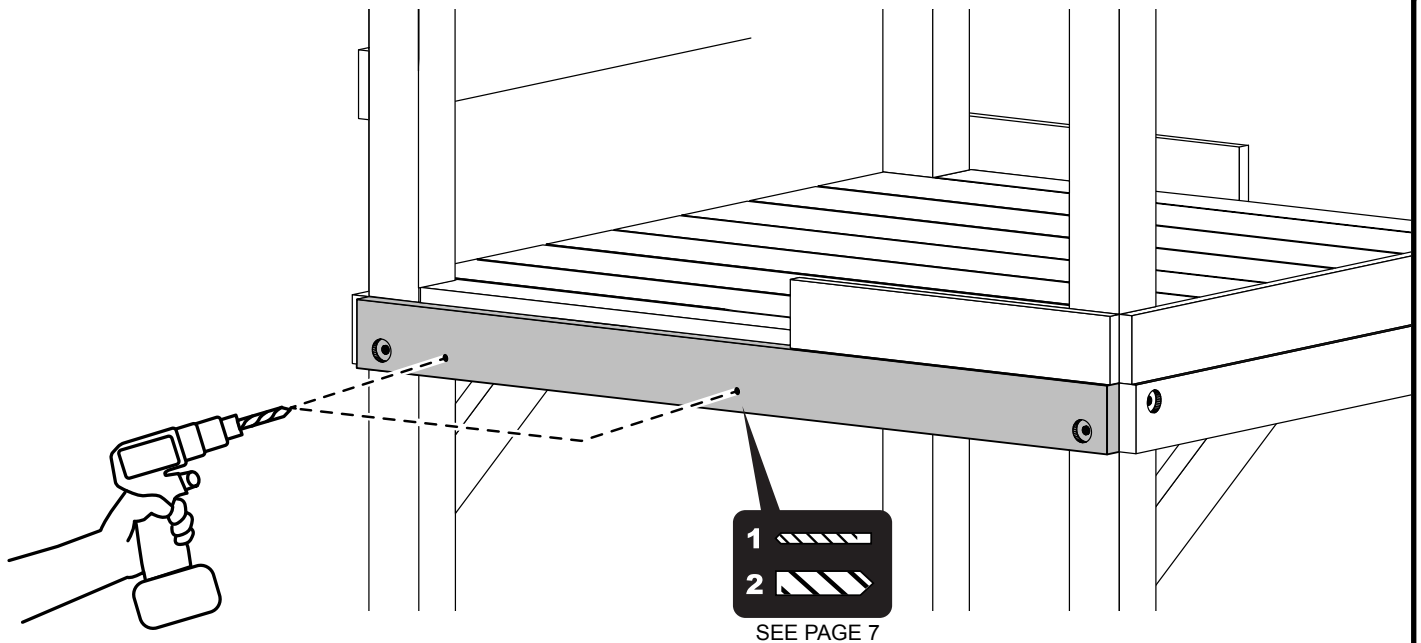
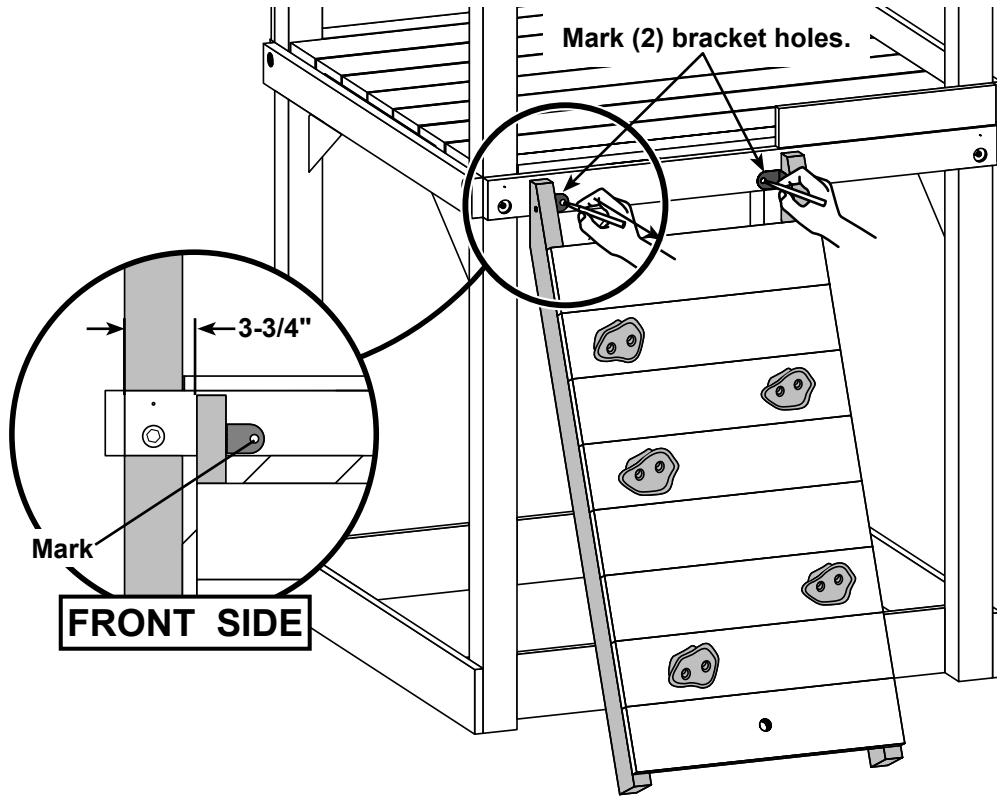
ROCKS



ROCK WALL

BRACKETS



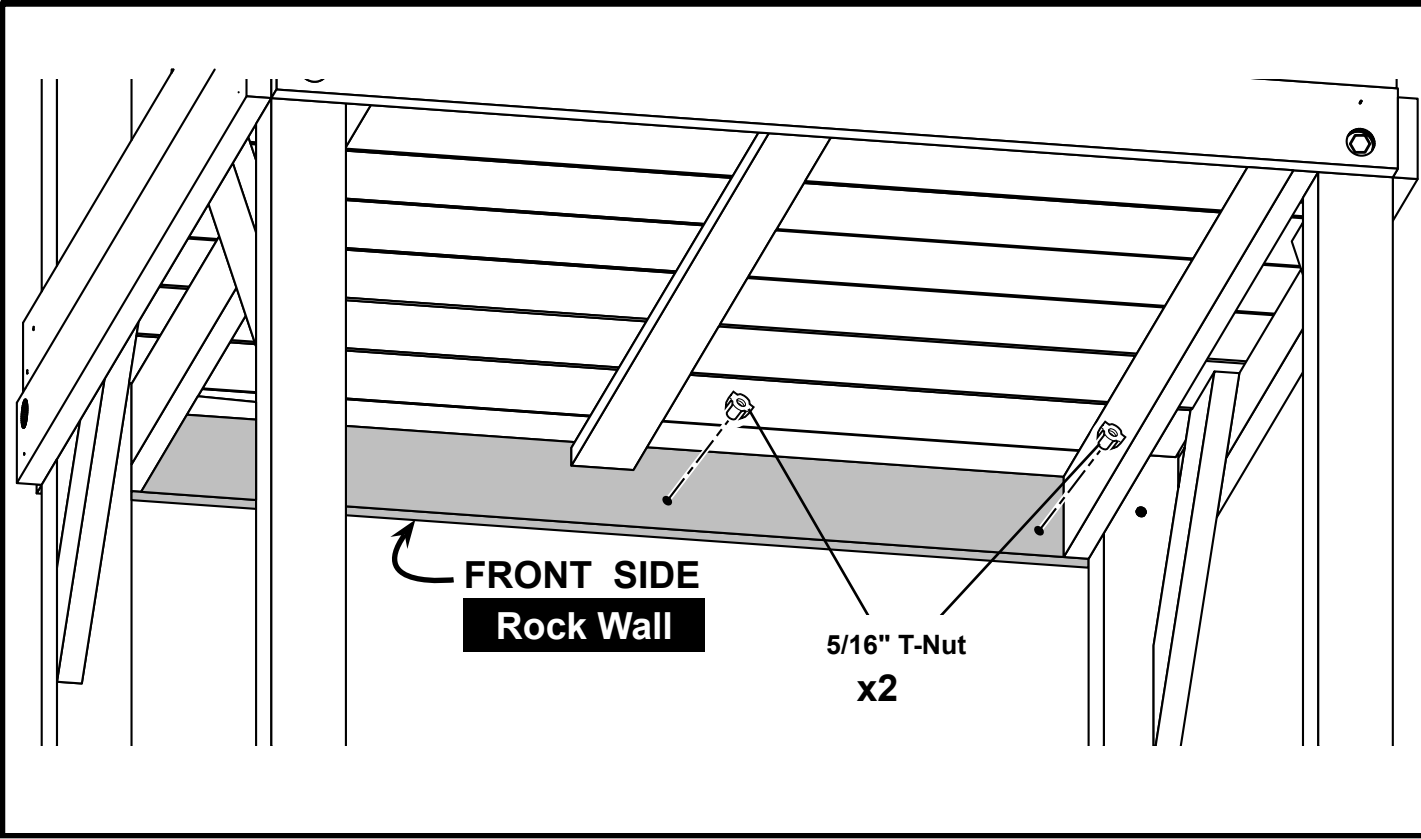


Pre-drill two 1/4" pilot holes at marked locations.
 Re-drill holes from opposite side using 3/8" bit.

FRONT SIDE
Rock Wall

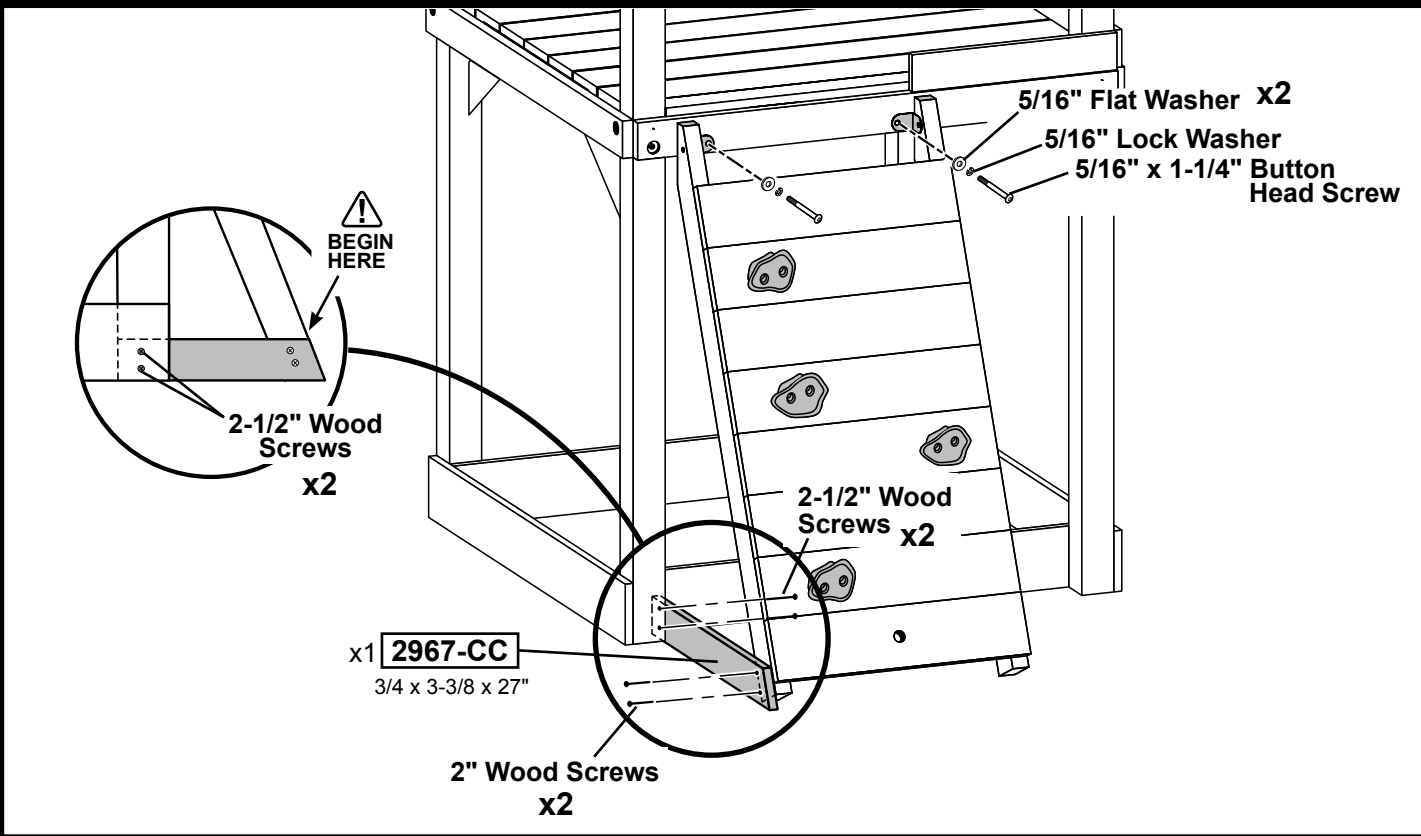
ROCK WALL

INSTALL



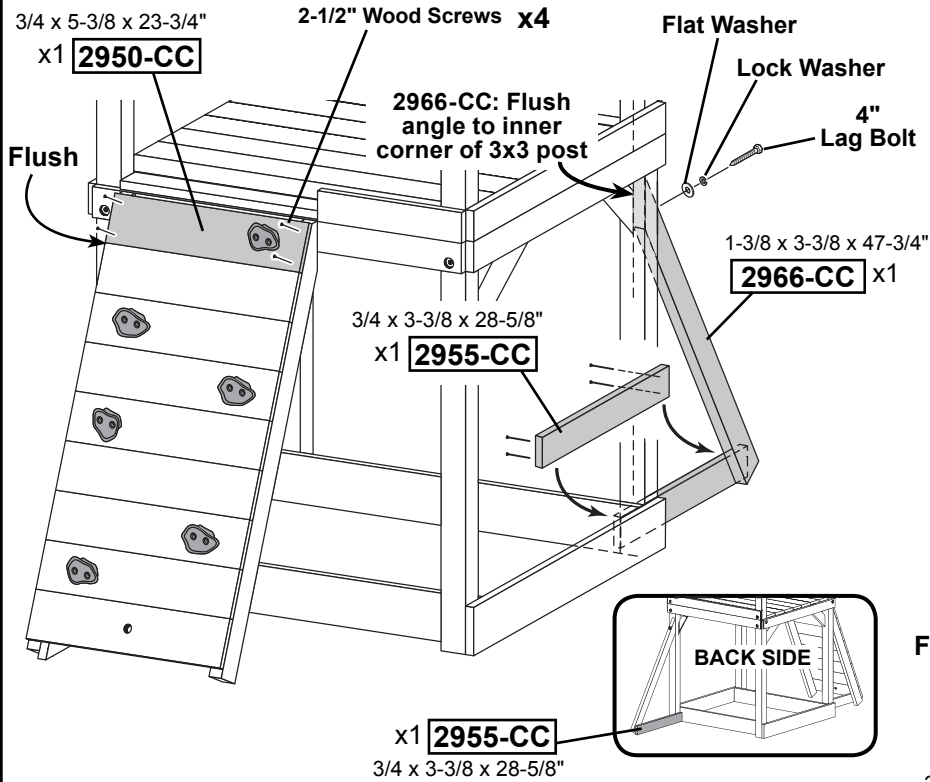
ROCK WALL

INSTALL

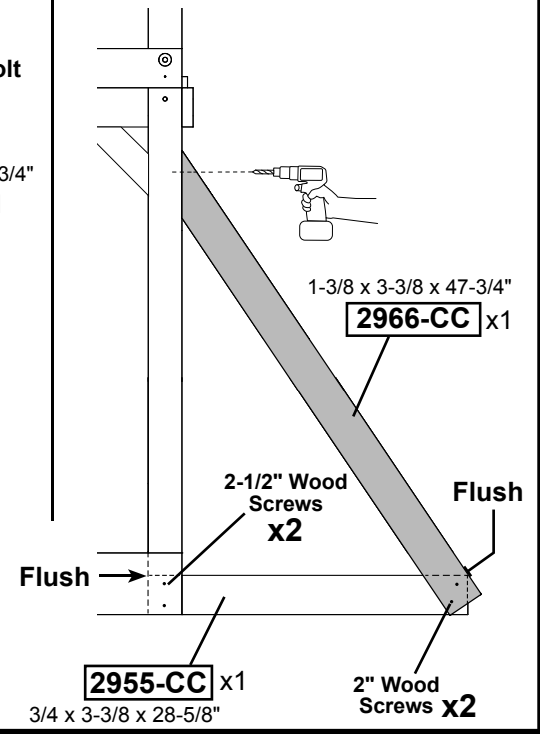


ANGLE BRACE

INSTALL



Pre drill 3/16" pilot hole 2" deep for 4" lag bolt.



STEP LADDER

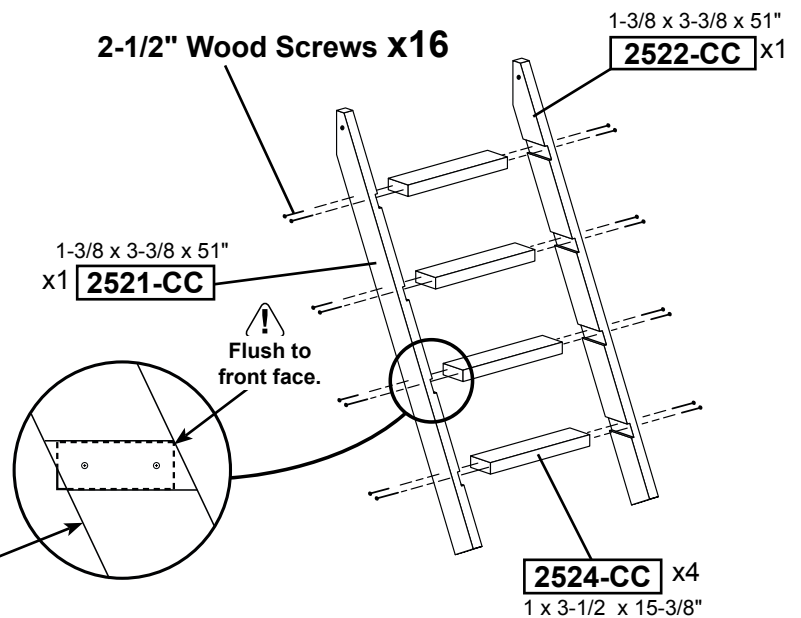
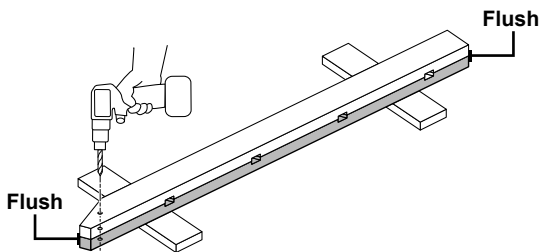
ASSEMBLE

Before Assembling Step Ladder:



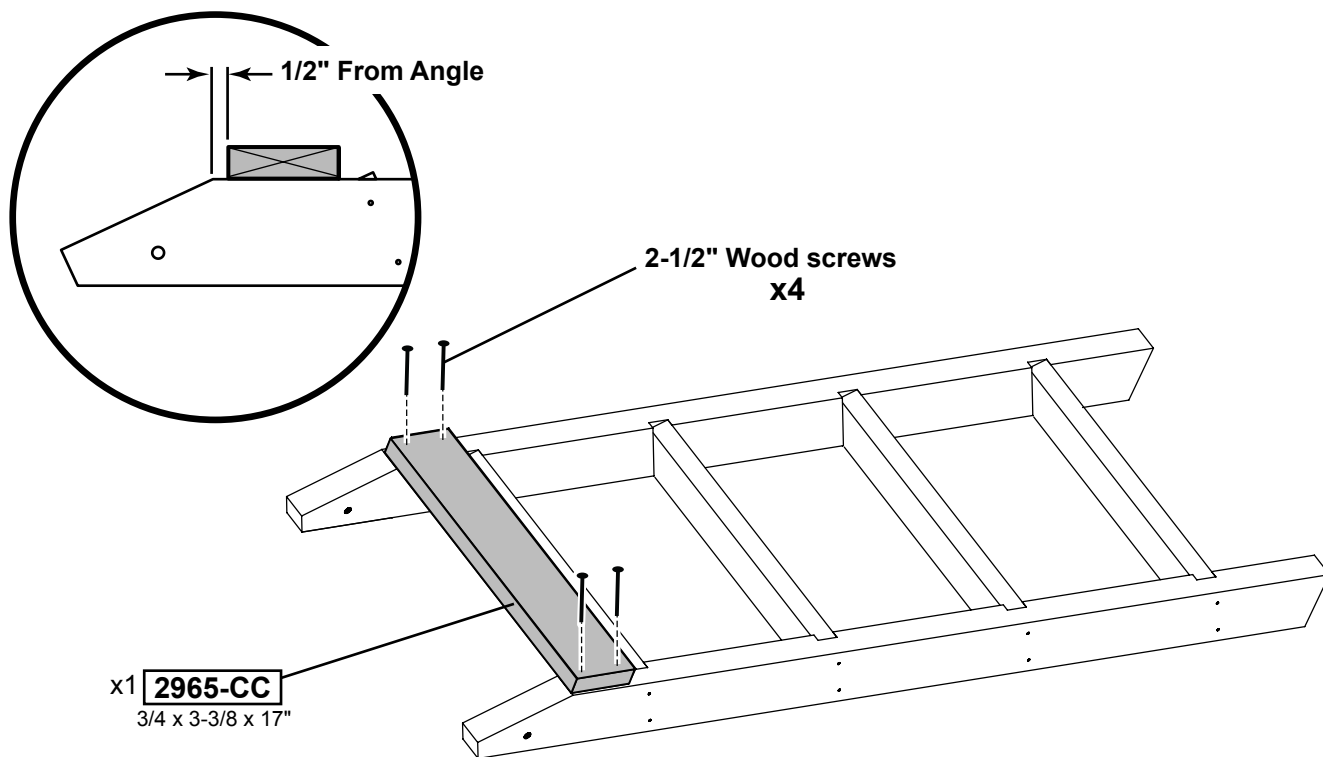
If 2521-CC has thru-hole, skip these steps.

1. Stack and align parts as shown with 2522-CC on top.
2. Hold parts and drill 3/8" hole through 2521-CC using 2522-CC as a guide.
3. Holes must be exactly aligned.



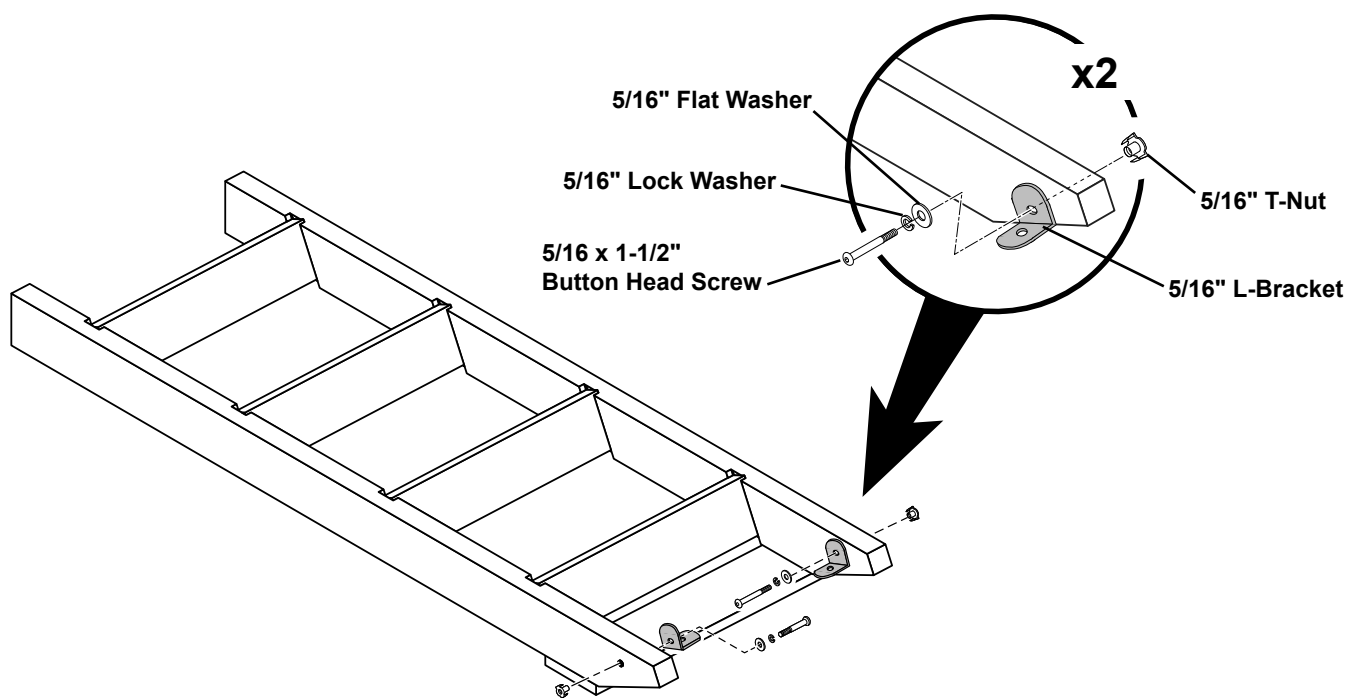
STEP LADDER

ASSEMBLE



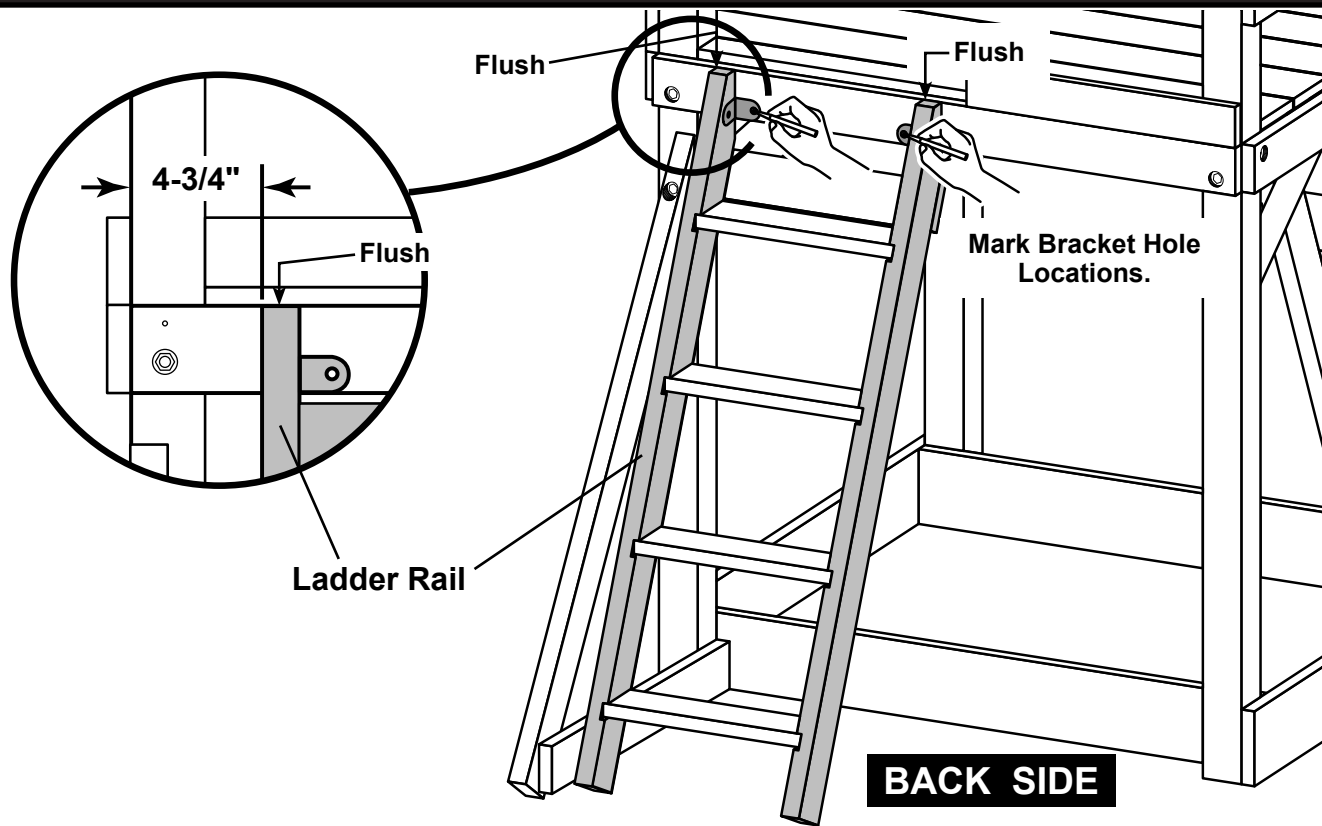
STEP LADDER

ASSEMBLE



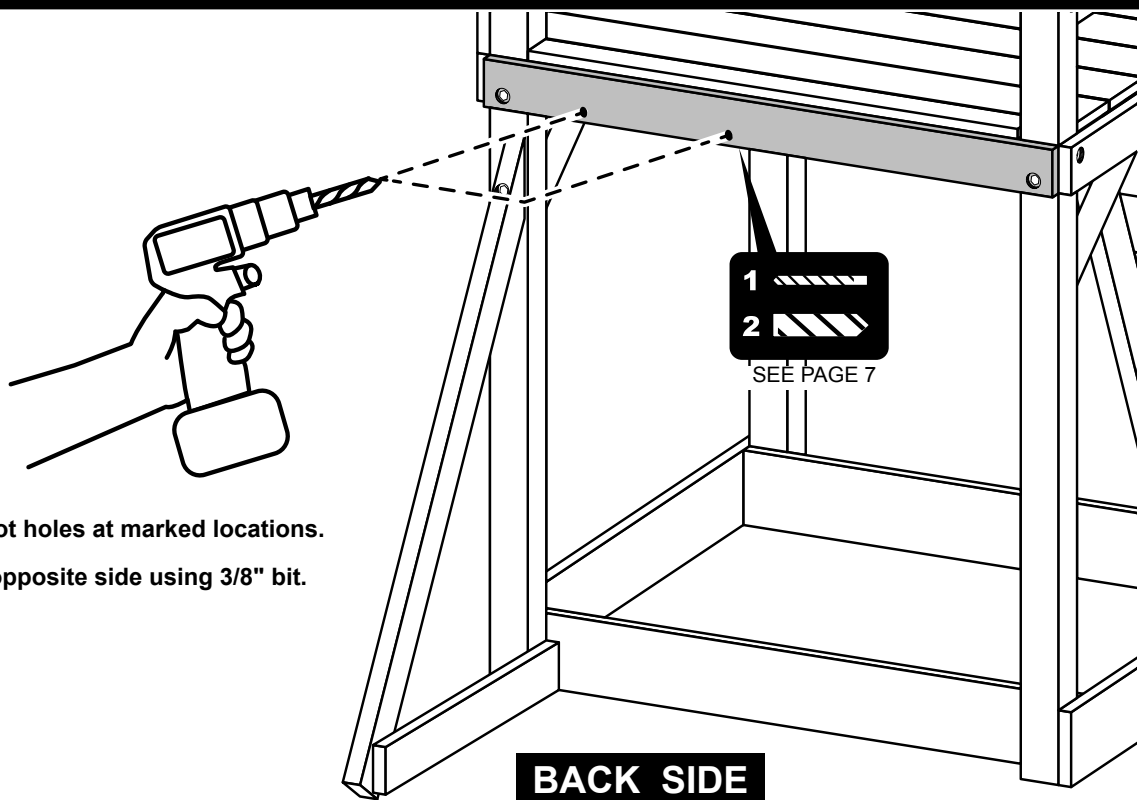
STEP LADDER

INSTALL



STEP LADDER

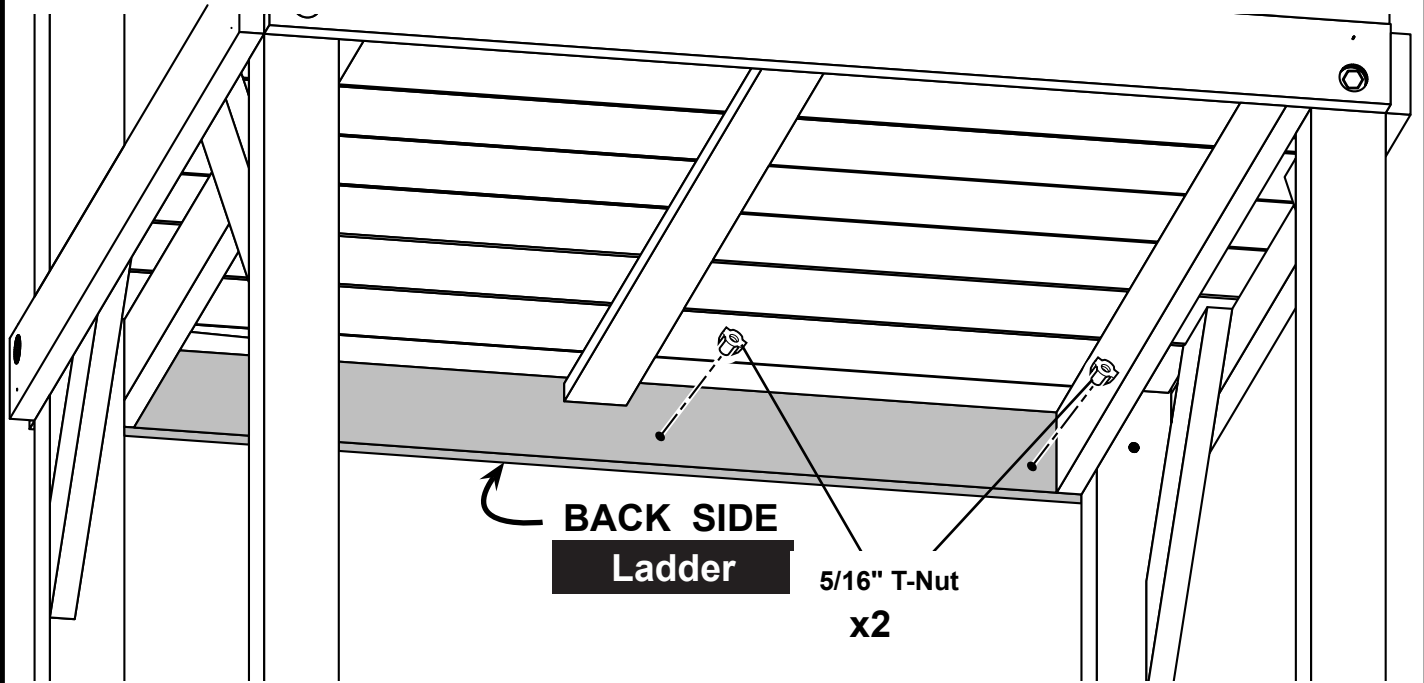
INSTALL



Pre-drill two 1/4" pilot holes at marked locations.
Re-drill holes from opposite side using 3/8" bit.

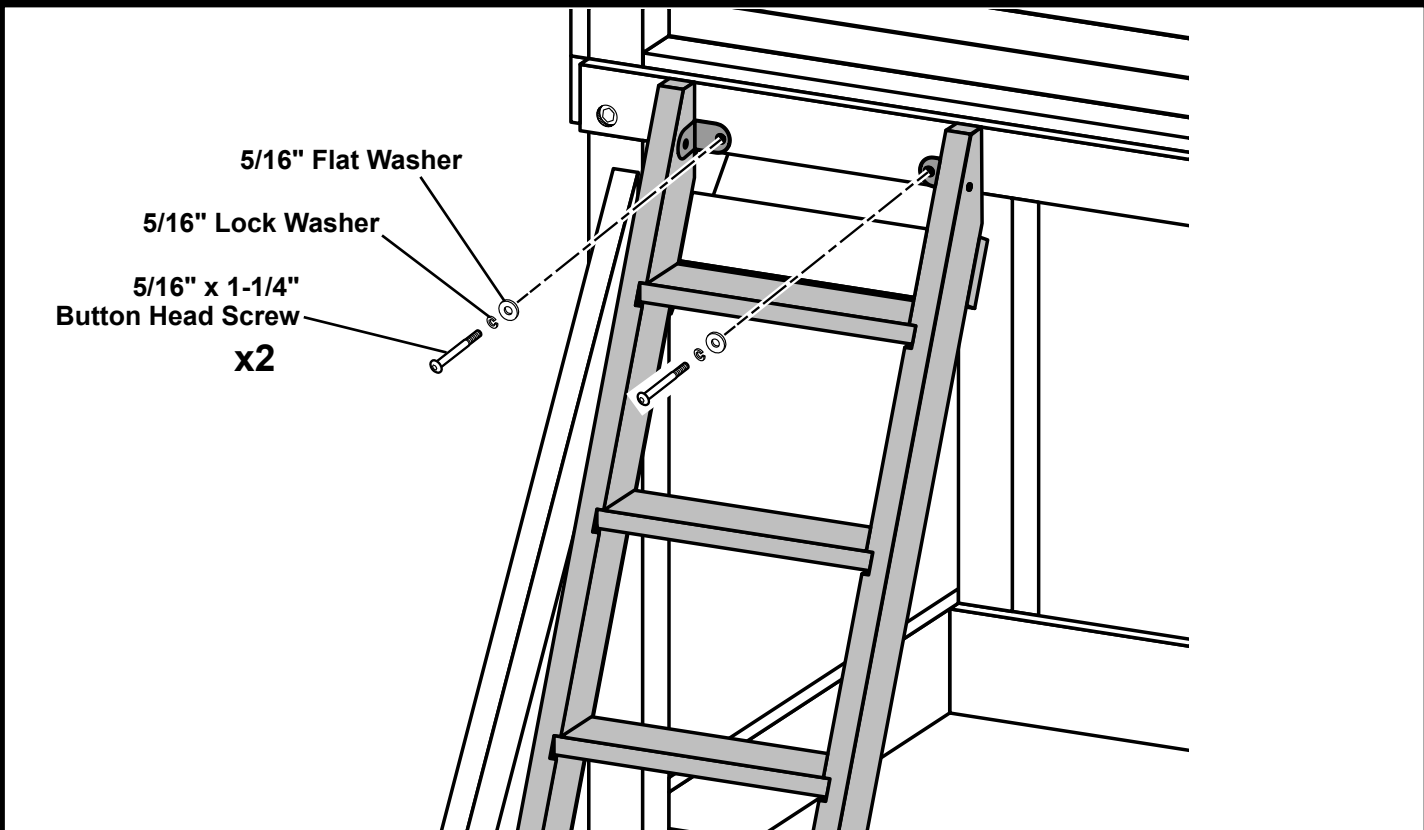
STEP LADDER

INSTALL



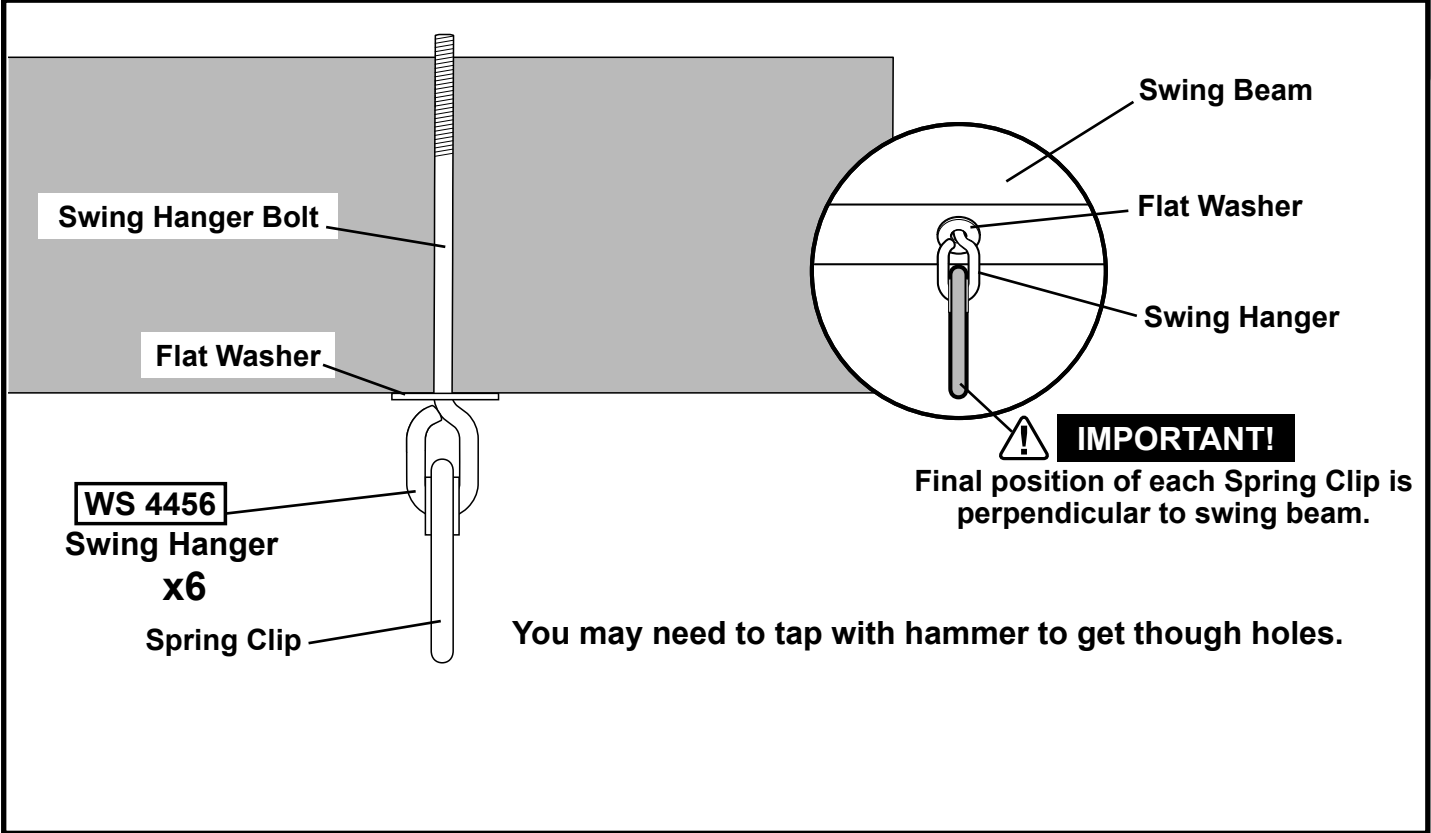
STEP LADDER

INSTALL



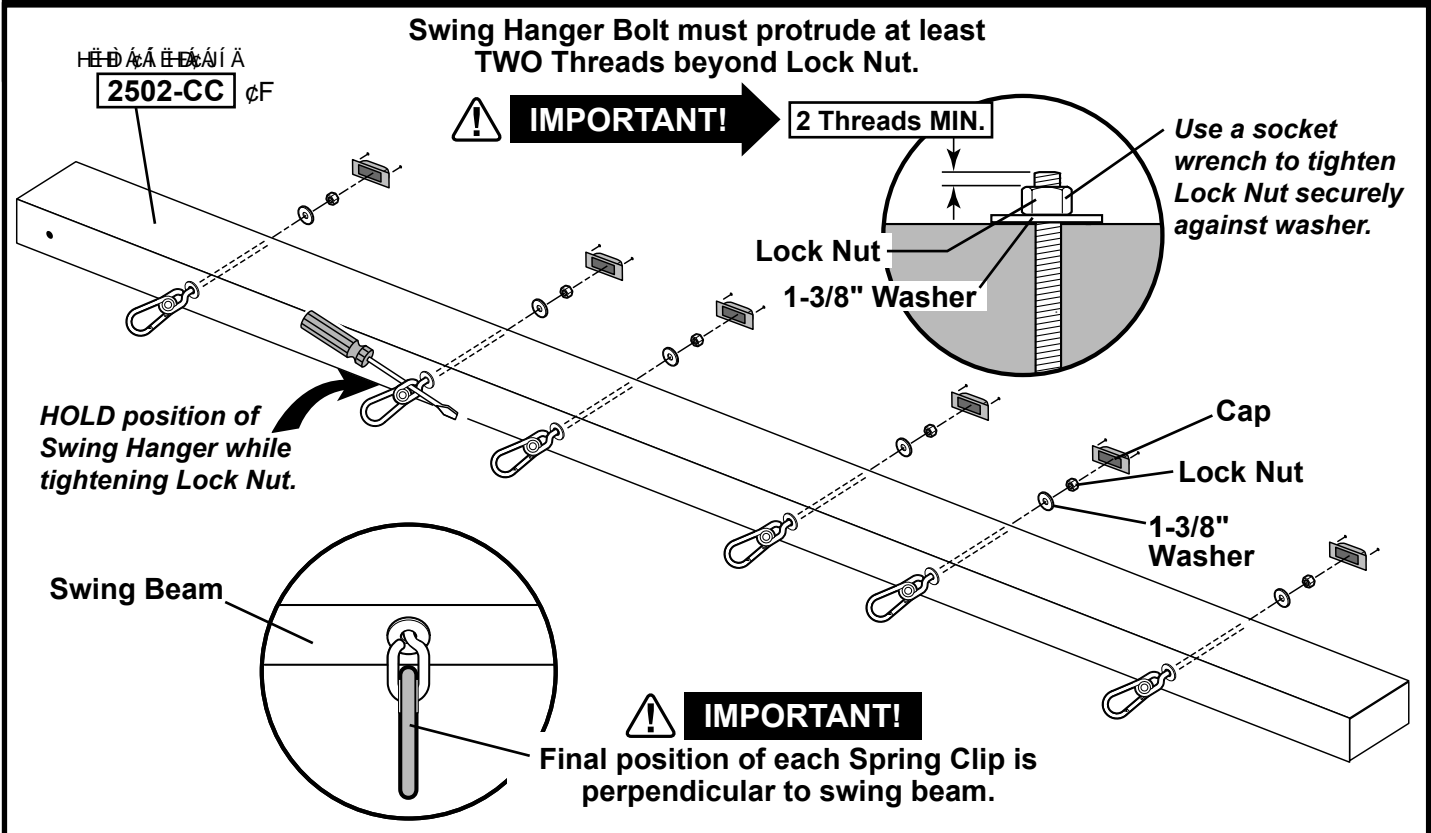
SWING BEAM

SWING HANGERS - INSTALL



SWING BEAM

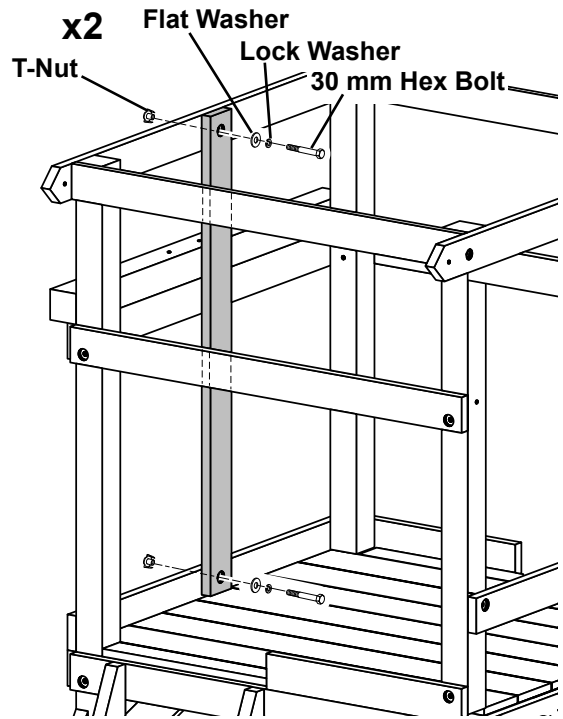
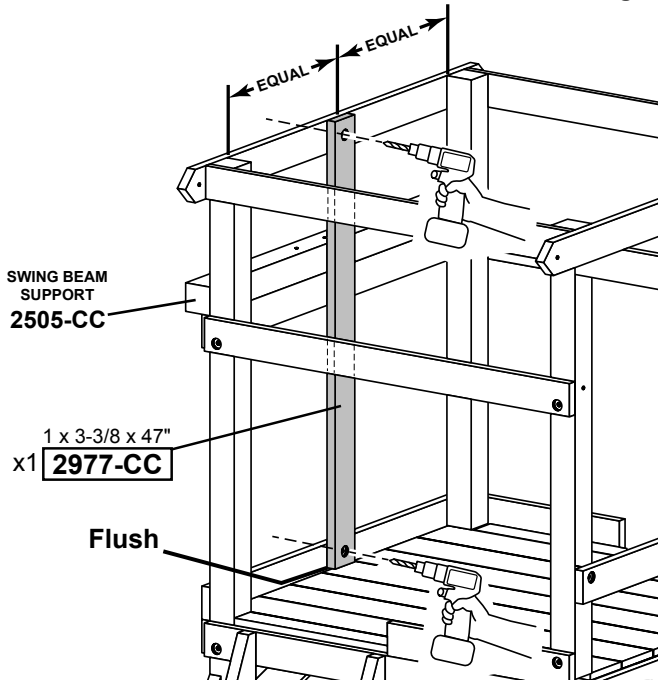
SWING HANGERS



UPRIGHT

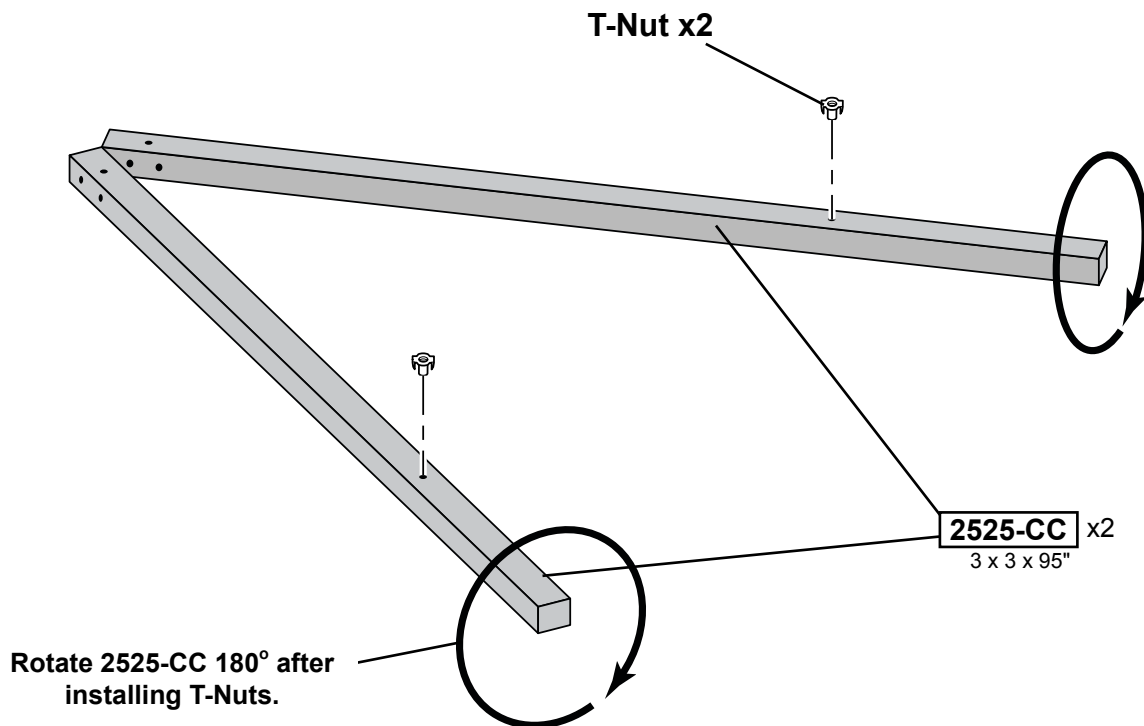
INSTALL

Center 2977-CC. Mark and Pre drill 7/16" through holes for hex bolt.



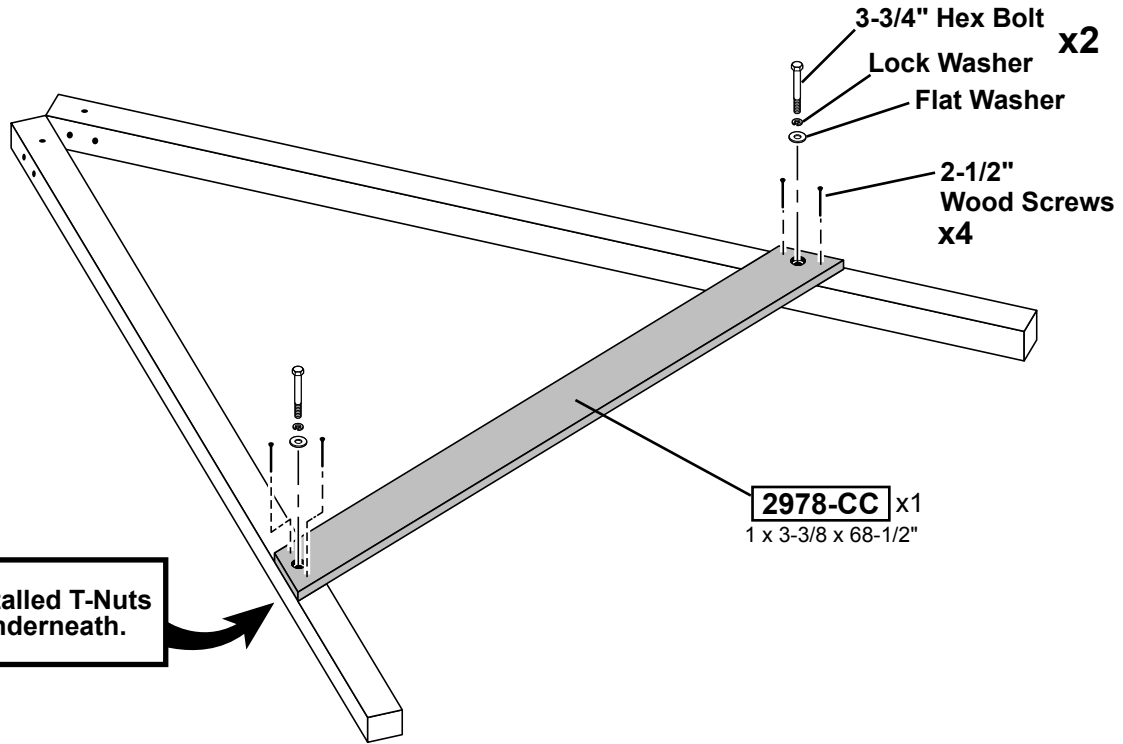
A - FRAME

ASSEMBLE



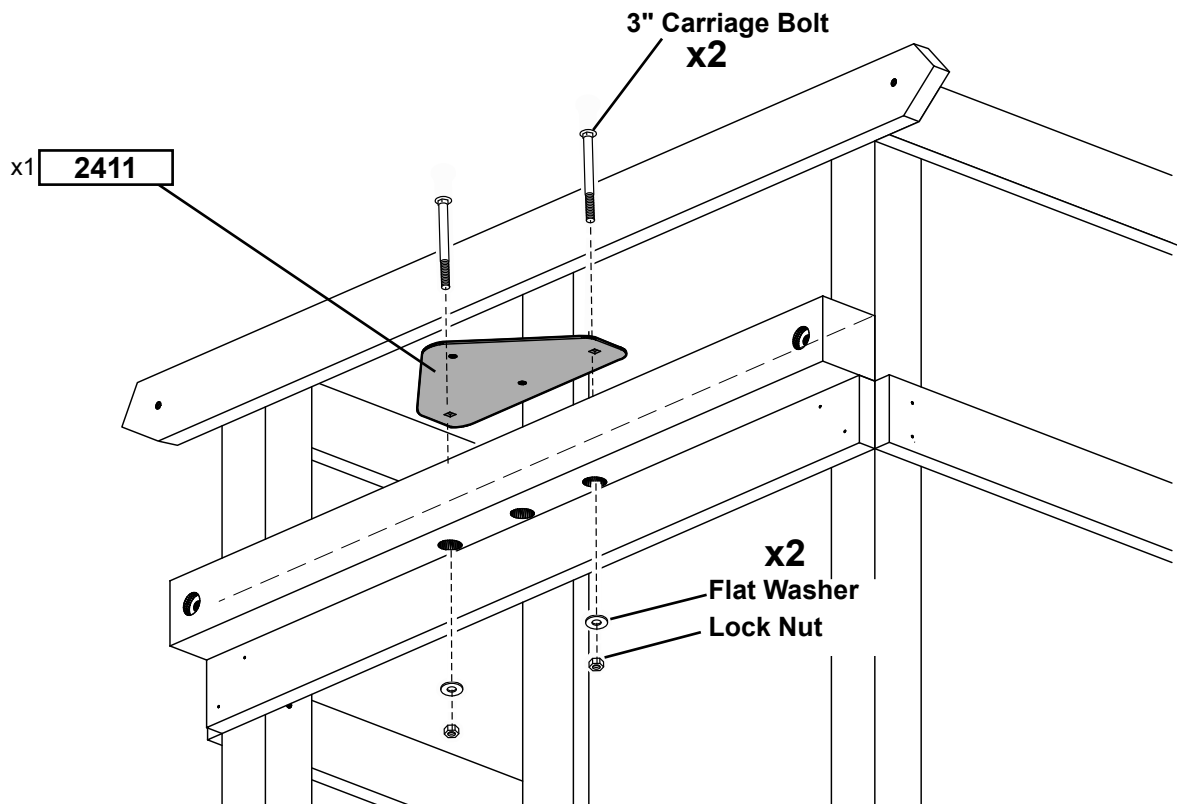
A - FRAME

ASSEMBLE



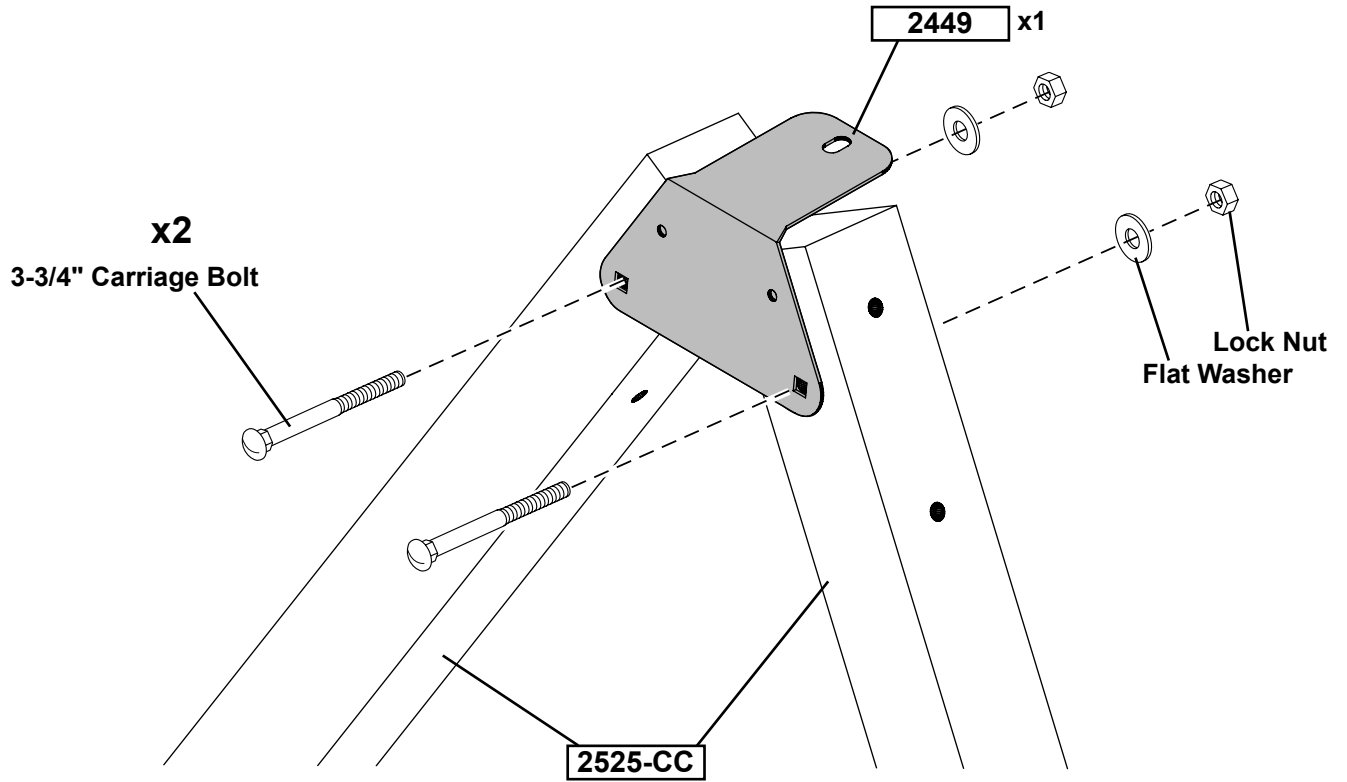
SWING BEAM

FLAT PLATE



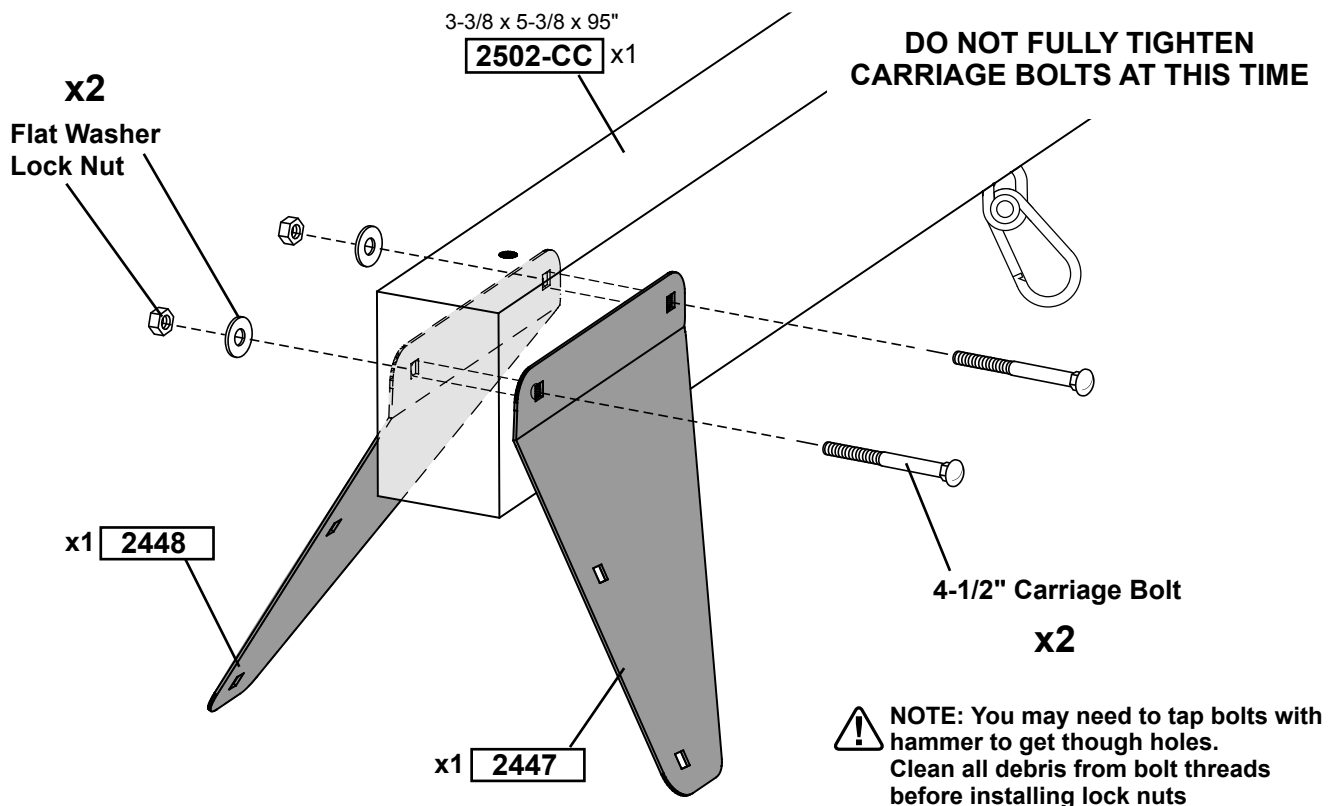
A - FRAME

90° PLATE



SWING BEAM

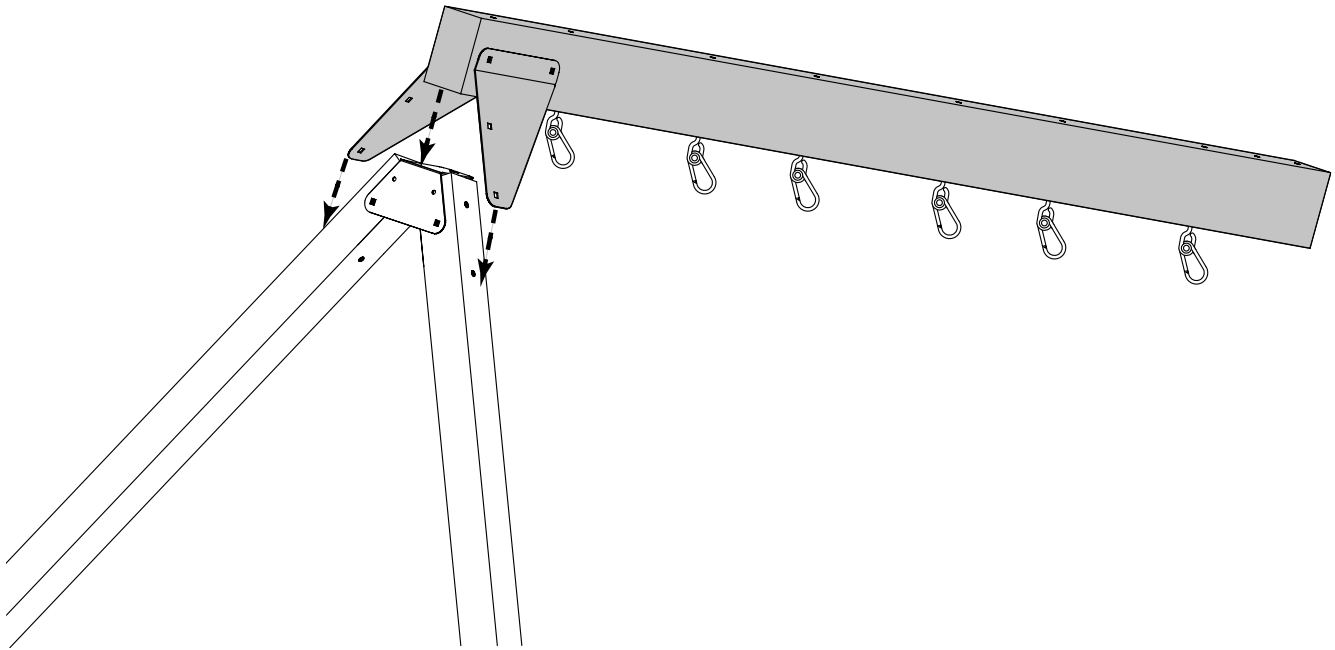
ANGLED PLATES



SWING BEAM

ASSEMBLE

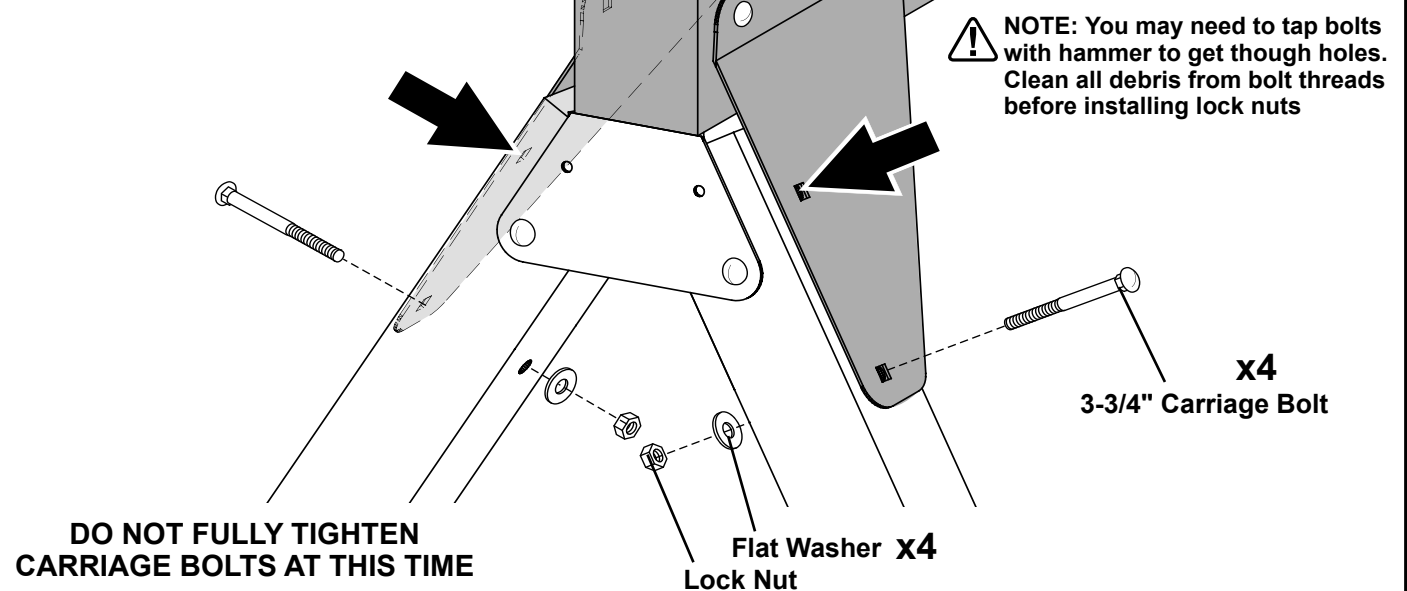
Position swing beam assembly resting upon A-frame.



SWING BEAM

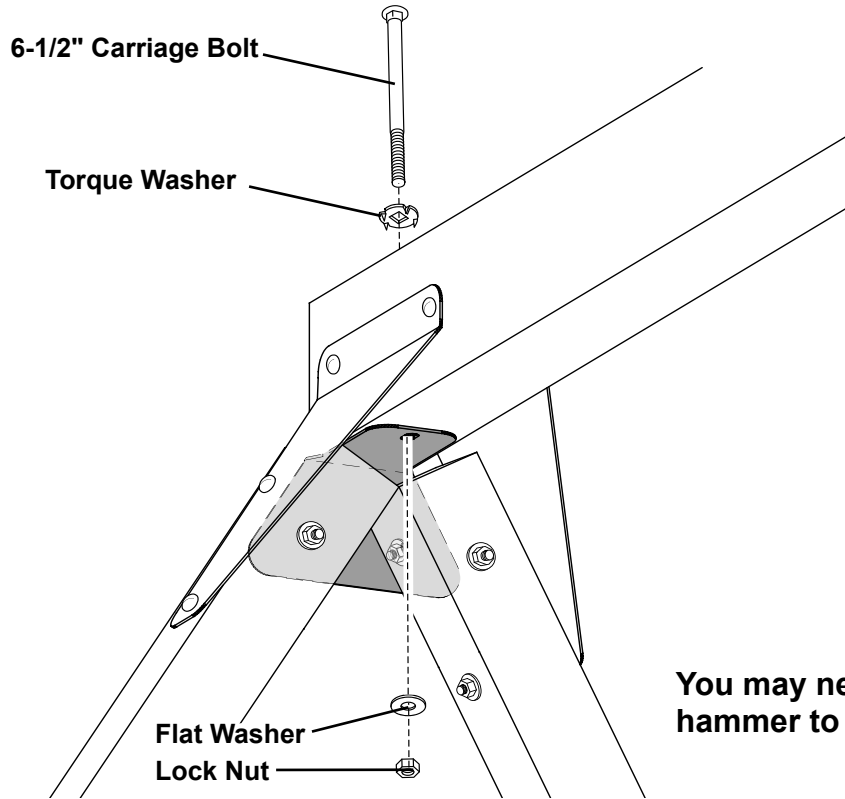
ASSEMBLE

Align holes and insert carriage bolt.
Repeat where arrows are shown.



SWING BEAM

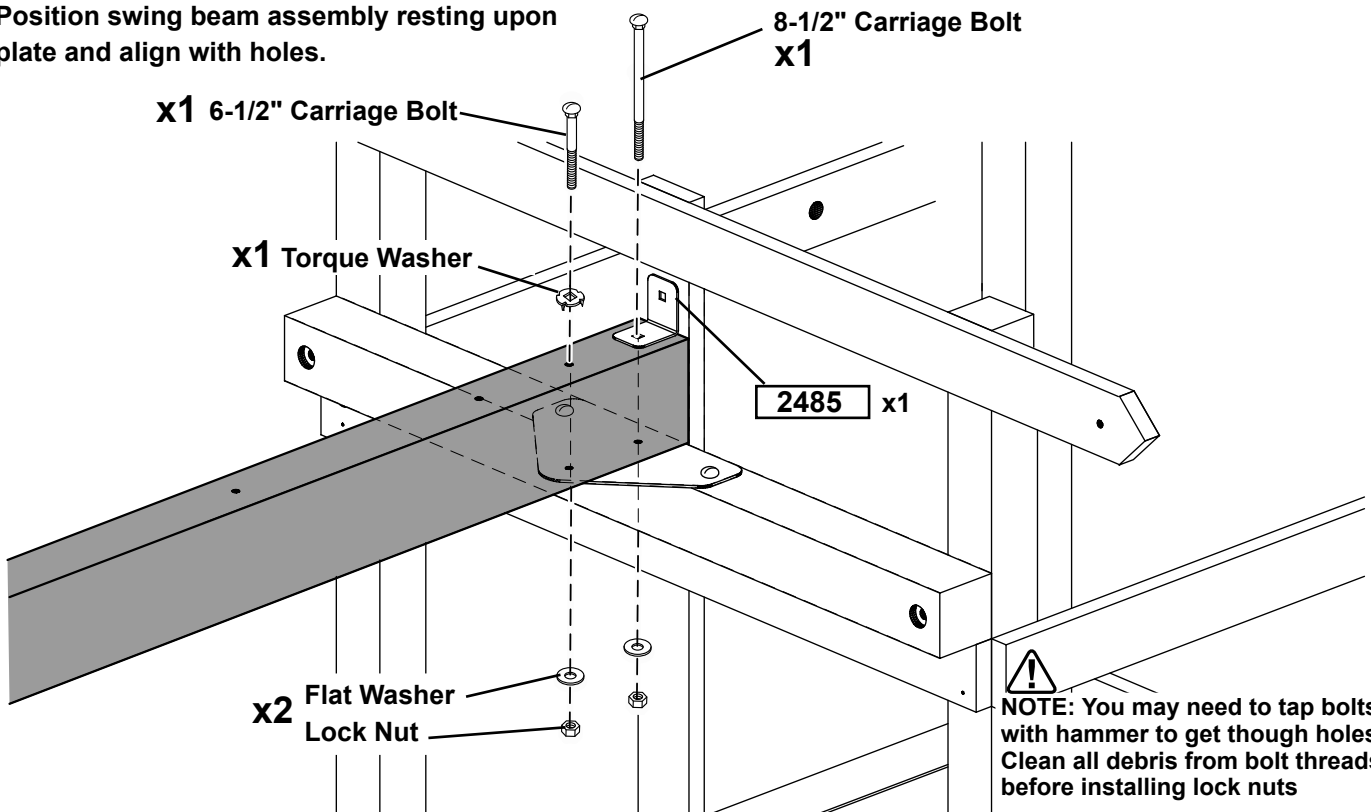
ASSEMBLE



SWING BEAM

INSTALL

Position swing beam assembly resting upon plate and align with holes.

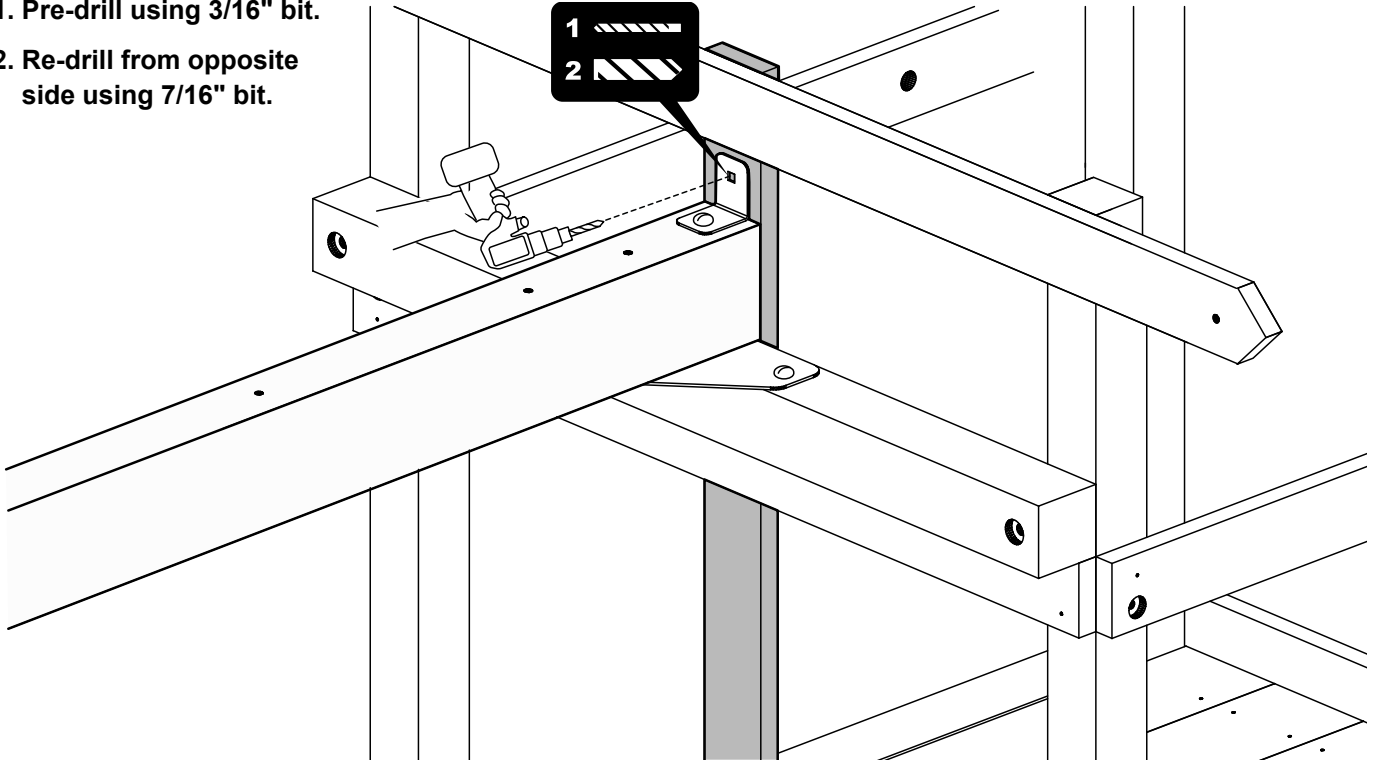


SWING BEAM

INSTALL

- 1. Pre-drill using 3/16" bit.
- 2. Re-drill from opposite side using 7/16" bit.

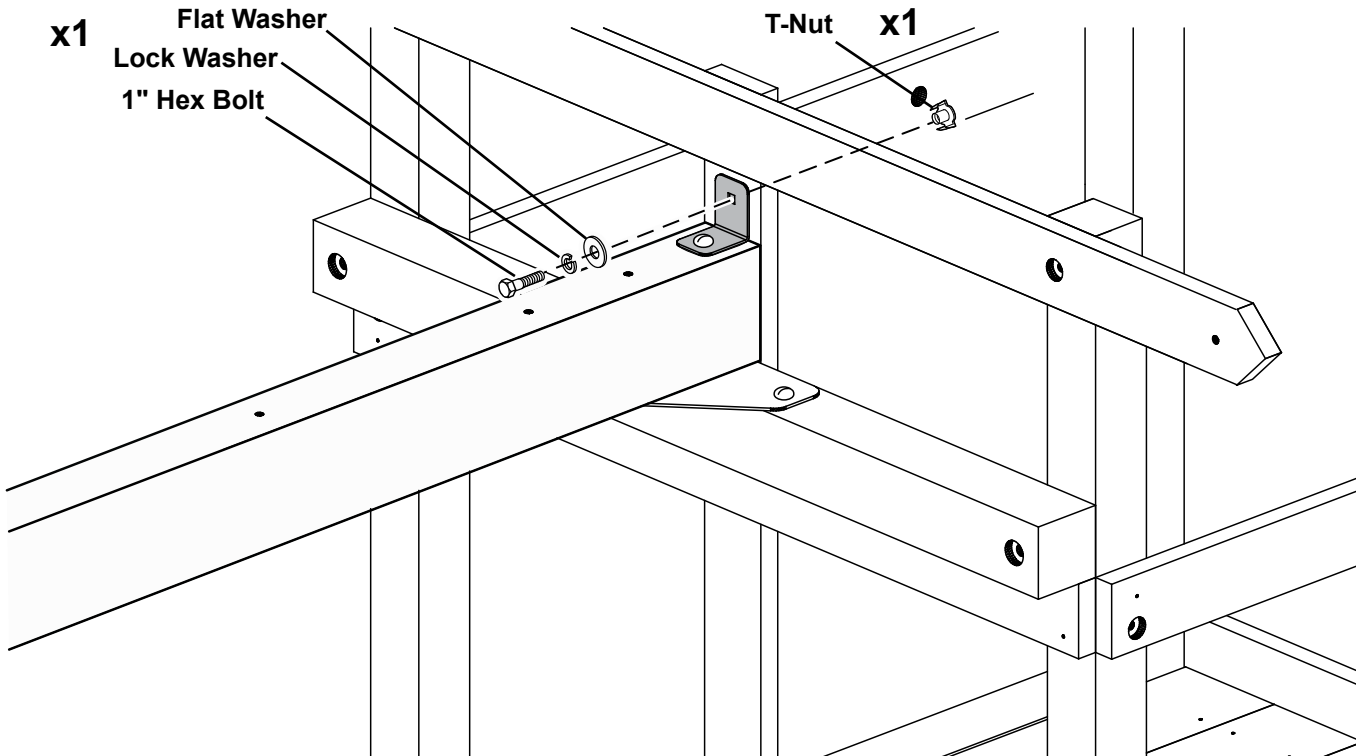
SEE PAGE 7



SWING BEAM

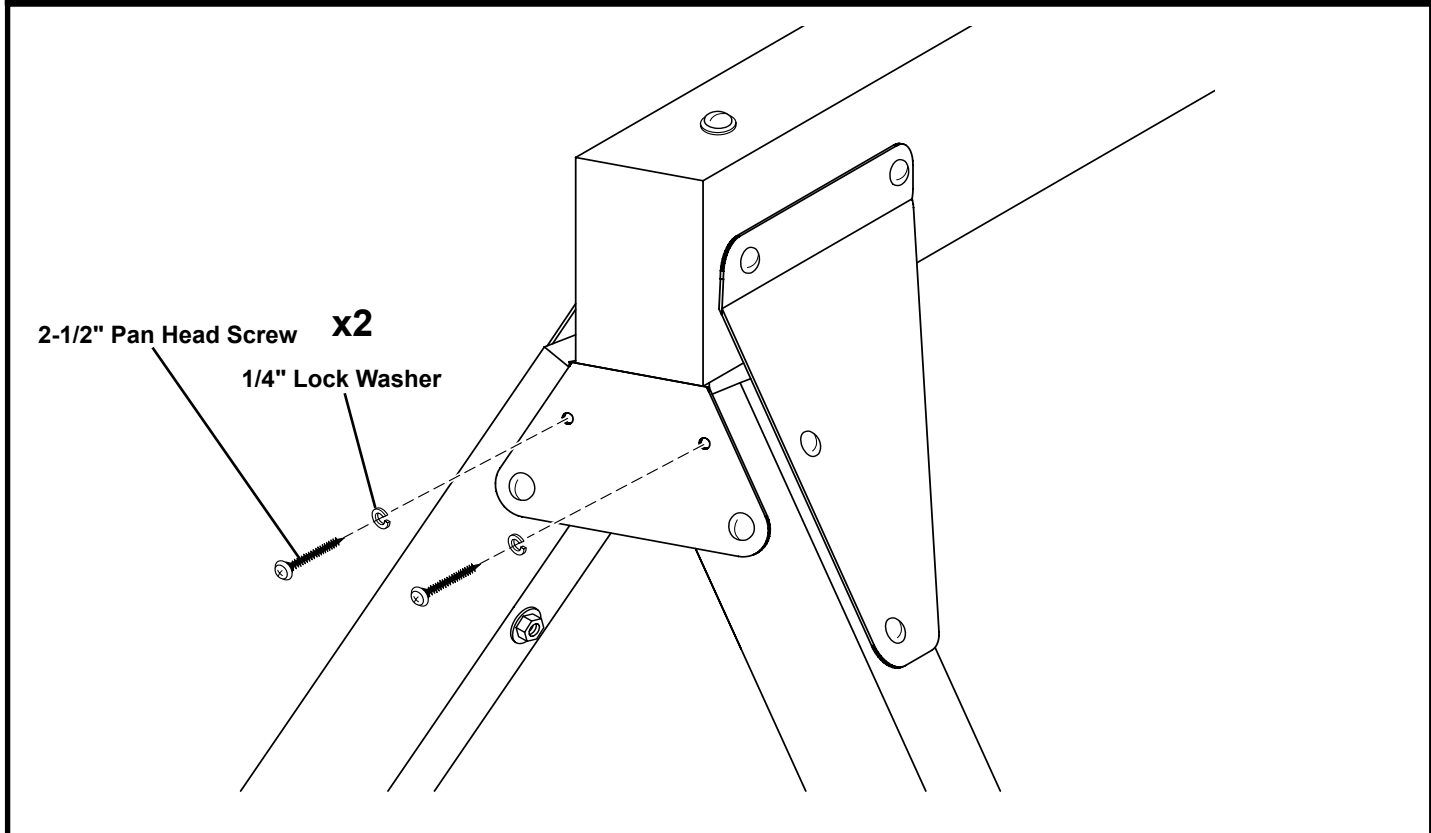
INSTALL

- x1 Flat Washer
- Lock Washer
- 1" Hex Bolt
- T-Nut x1



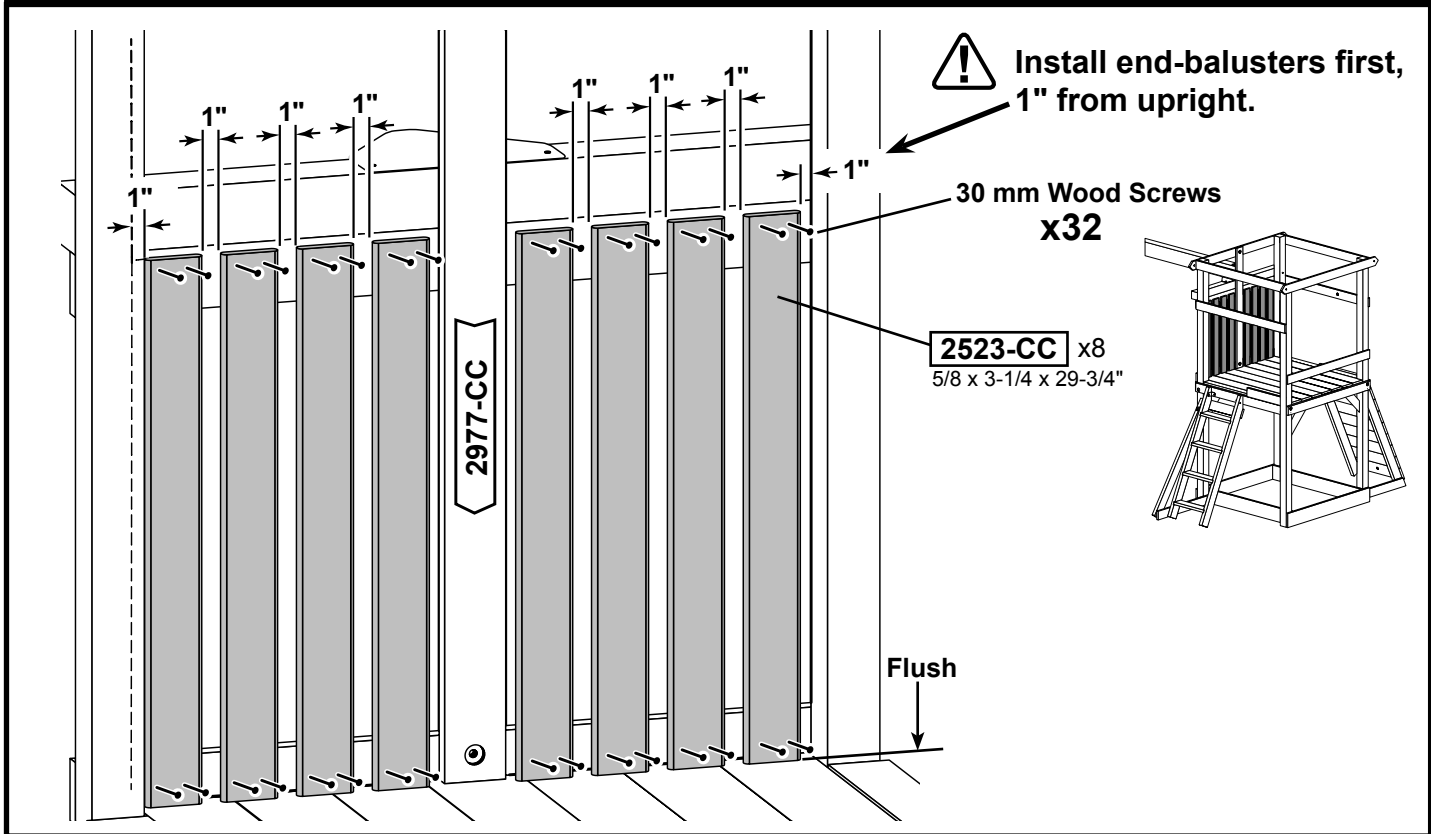
SWING BEAM

ASSEMBLE



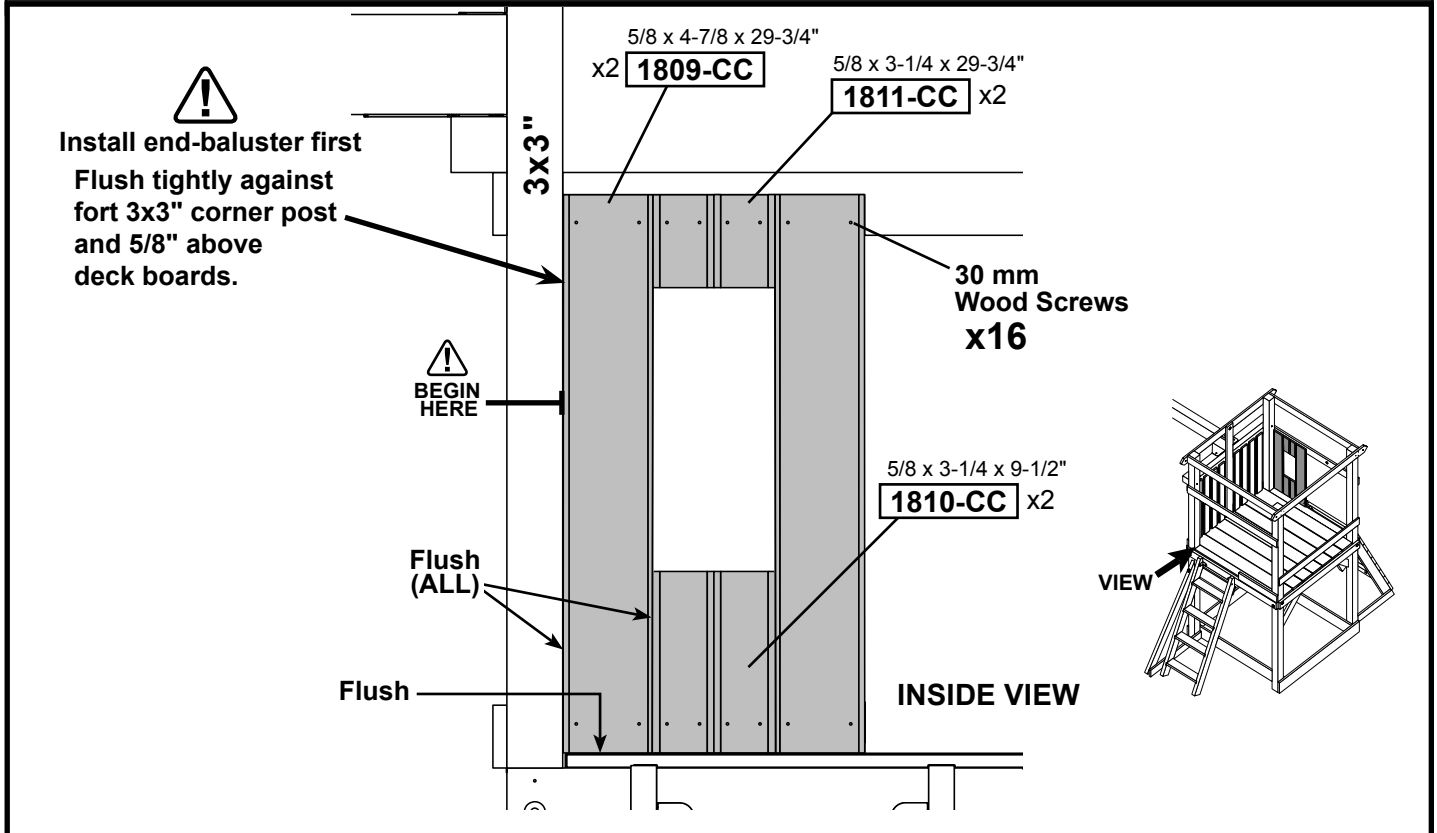
FORT

BALUSTERS



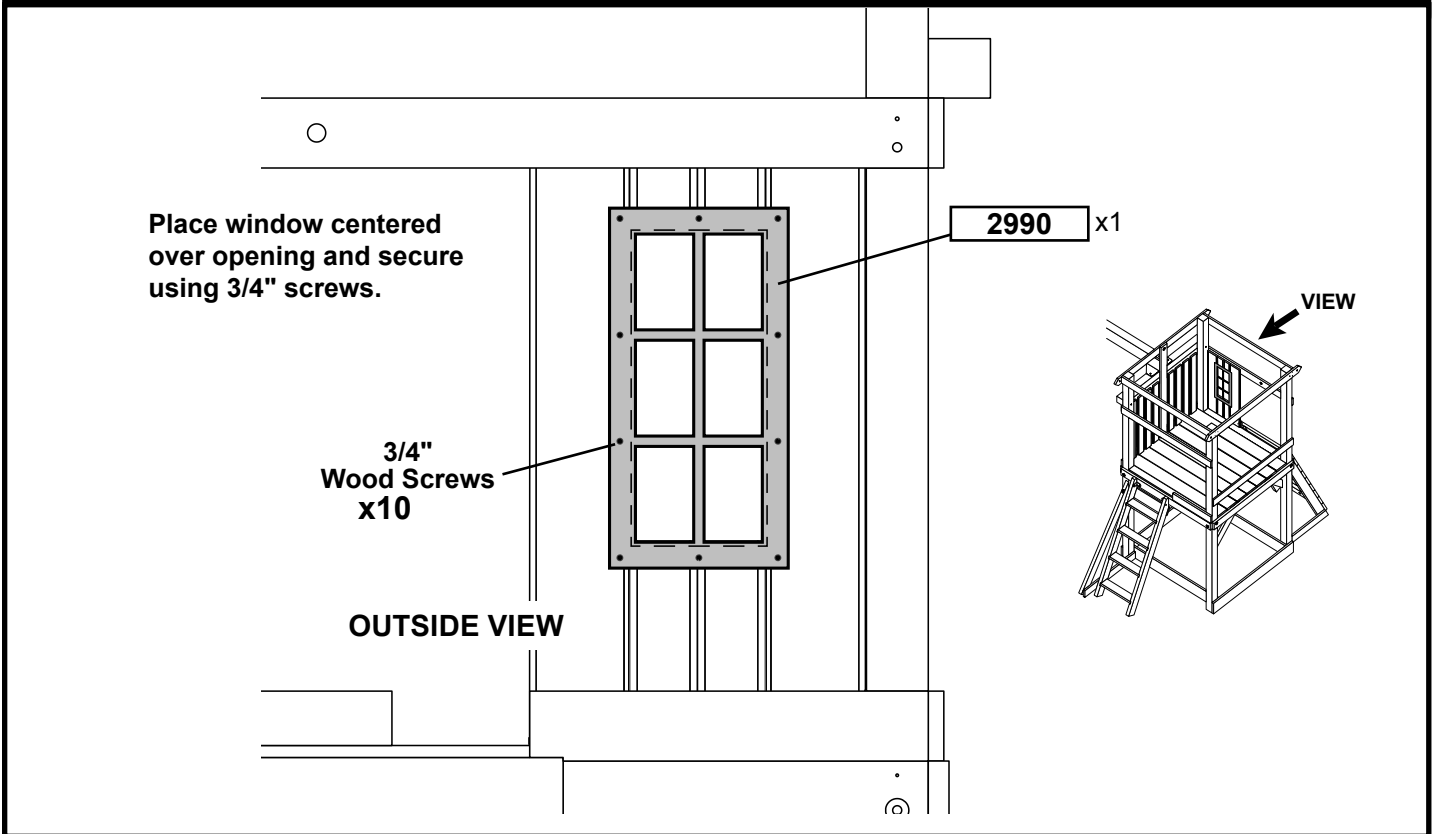
FORT

ROCK WALL SIDE BALUSTERS



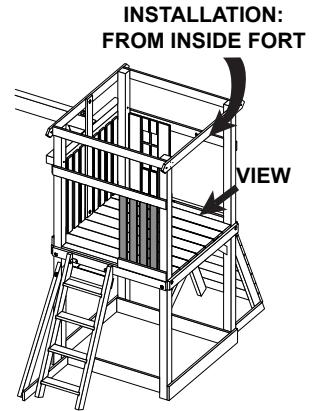
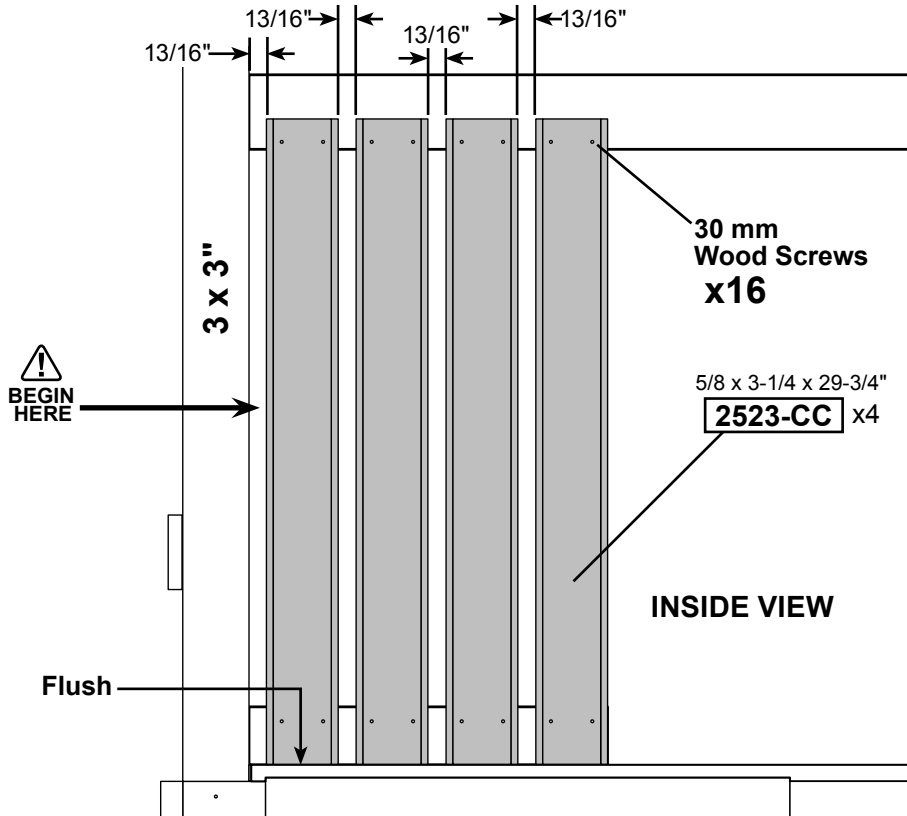
FORT

WINDOW



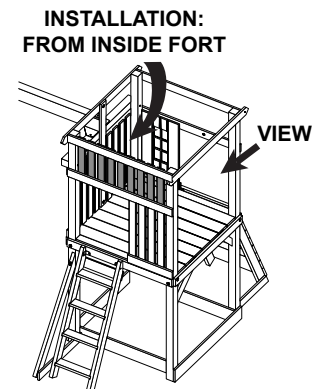
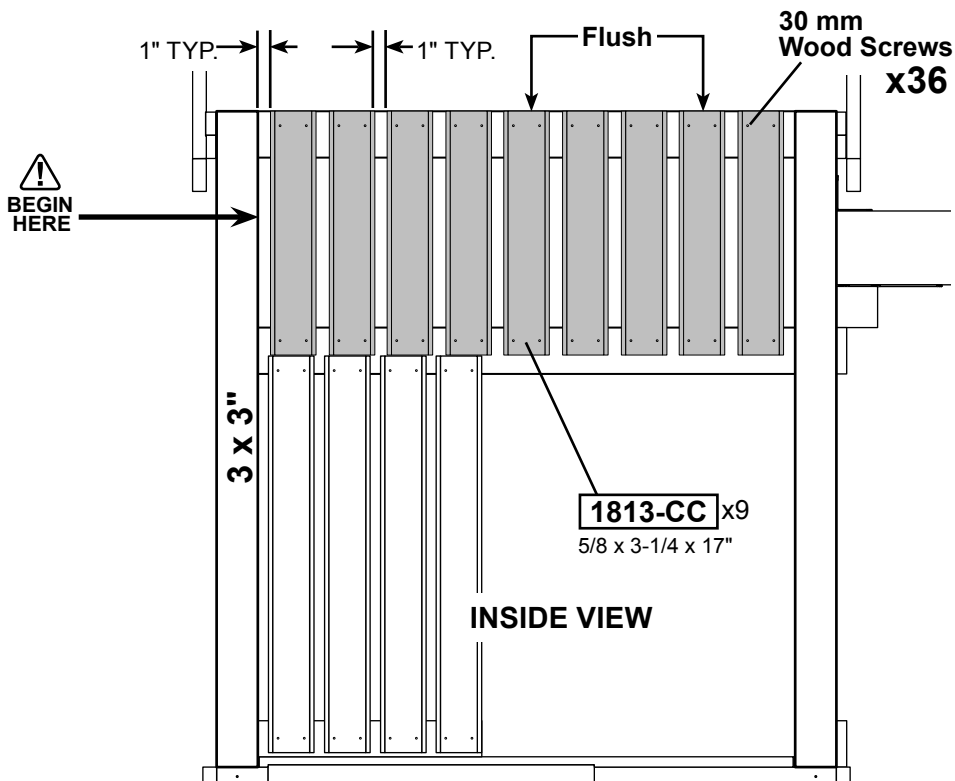
FORT

LADDER SIDE BALUSTERS



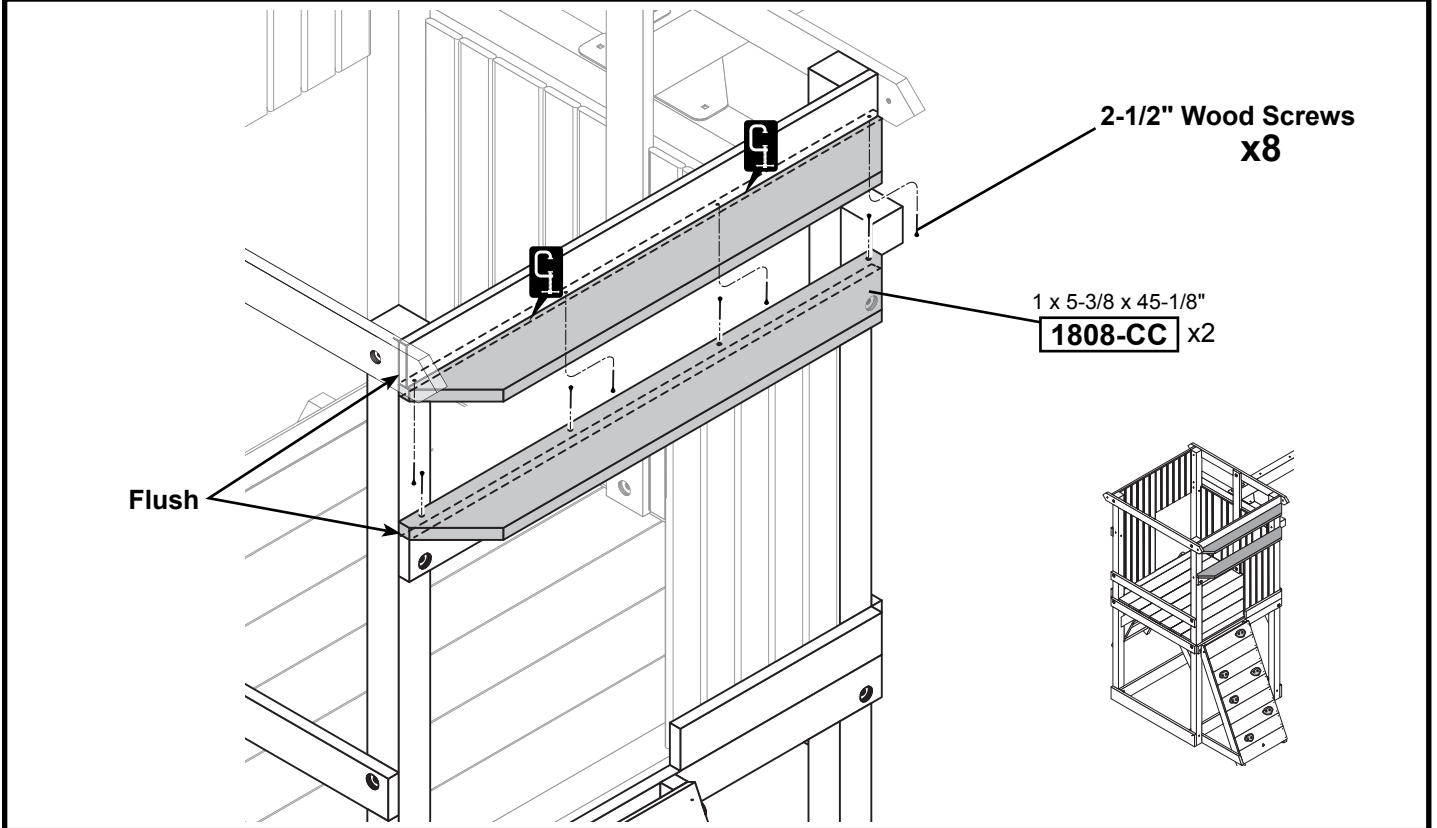
FORT

LADDER SIDE BALUSTERS



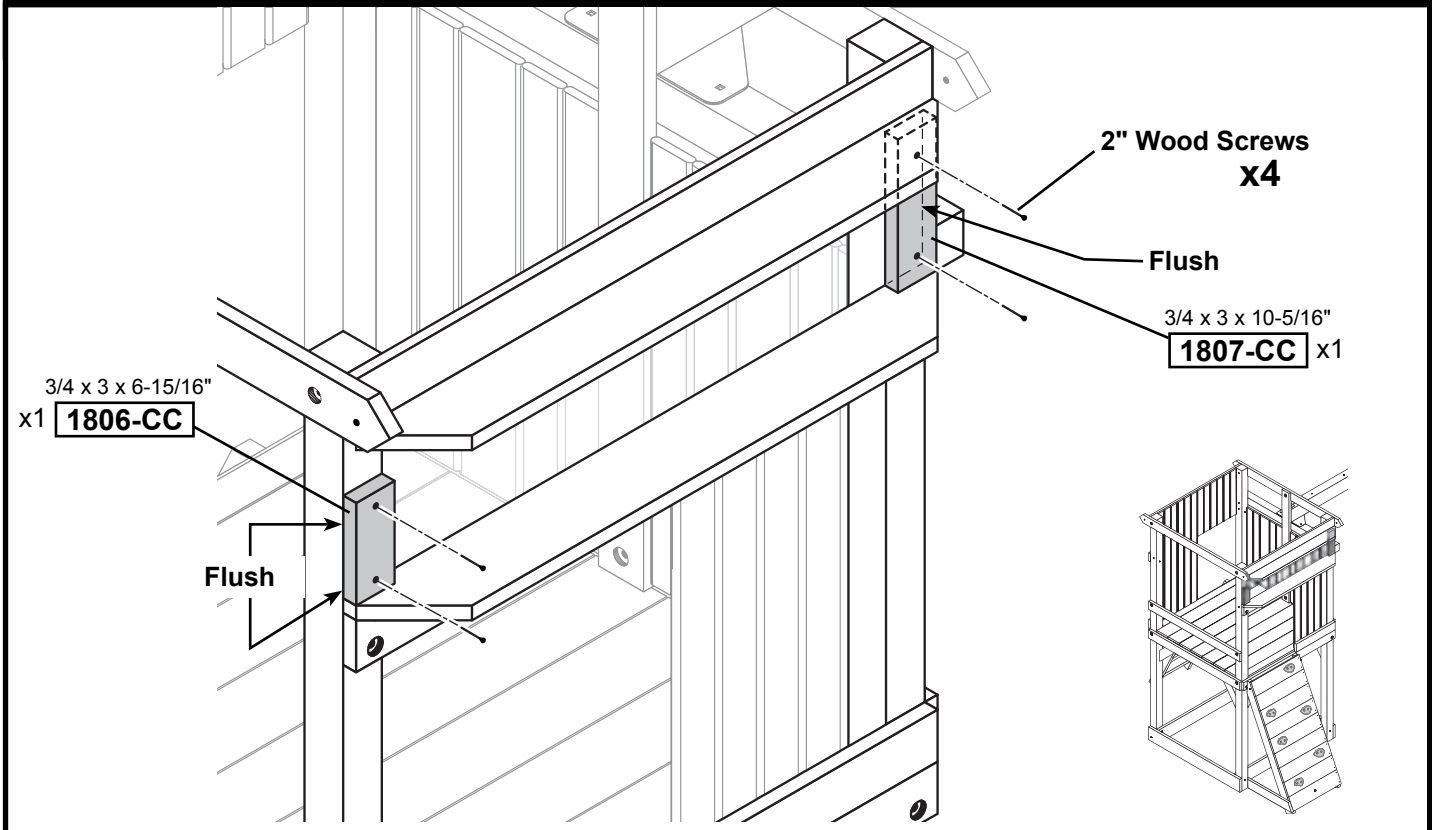
FORT

BAY WINDOW



FORT

BAY WINDOW





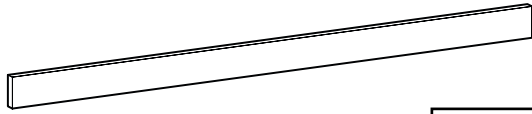
YOU WILL BUILD YOUR TERRACE AT THIS TIME.

GO TO NEXT PAGE.

TERRACE PARTS LIST

TERRACE PARTS

3/4 x 2-1/2 x 45-1/8"



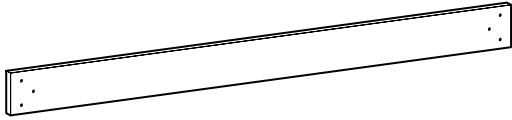
2516-CC x1

5/8 x 3-1/4 x 29-3/4"



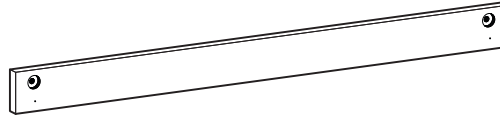
2523-CC x10

5/8 x 3-3/8 x 45-1/8"



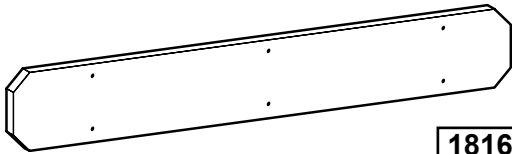
1817-CC x3

1 x 3-3/8 x 45-1/8"



1815-CC x1

5/8 x 5-3/8 x 38"



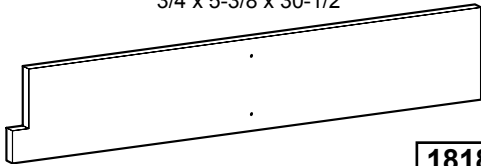
1816-CC x1

5/8 x 3-1/4 x 27-1/2"



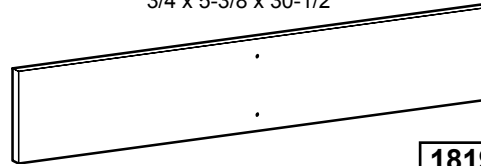
2873-CC x10

3/4 x 5-3/8 x 30-1/2"



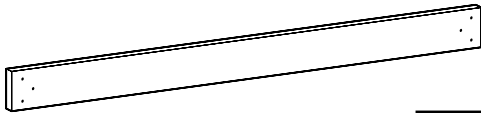
1818-CC x2

3/4 x 5-3/8 x 30-1/2"



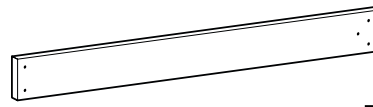
1819-CC x6

3/4 x 3-3/8 x 45-1/2"



1820-CC x2

3/4 x 3-3/8 x 33-1/2"



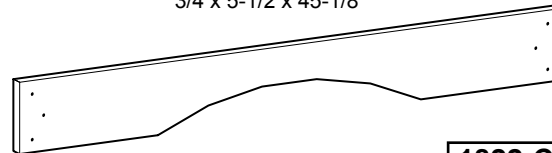
1821-CC x5

5/8 x 3-1/4 x 32-3/4"



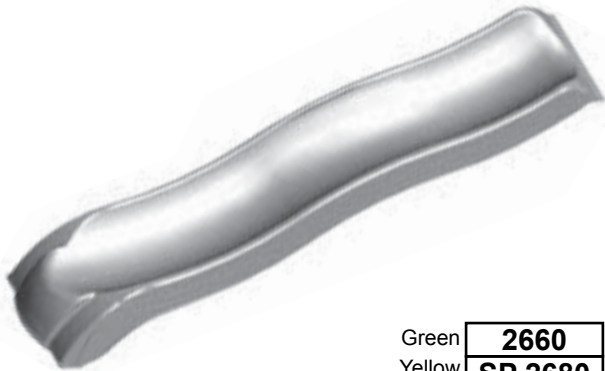
2879-CC x2

3/4 x 5-1/2 x 45-1/8"



1822-CC x1

SLIDE



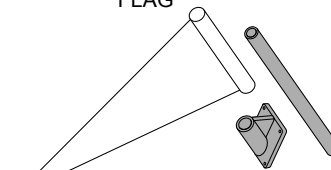
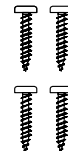
Green **2660** x1
Yellow **SP 2680** x1

1-3/8 x 3-3/8 x 17"



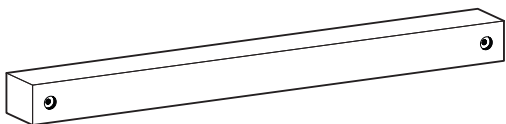
PF 6295 x1

FLAG



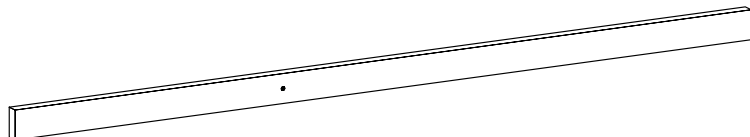
SA 4211 x2

3 x 3 x 45-1/8"



1824-CC x1

1-3/8 x 3-3/8 x 95"

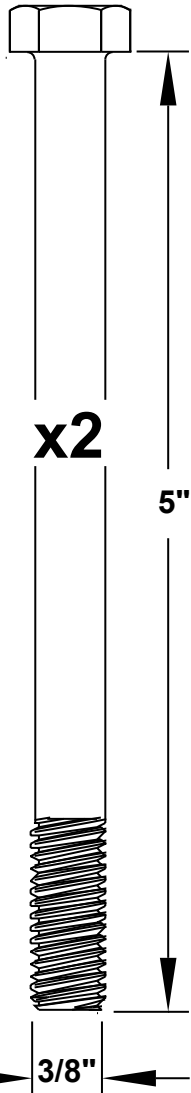


1823-CC x2

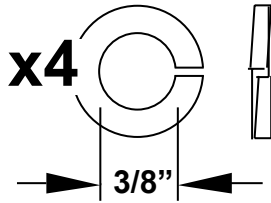
HARDWARE PARTS LIST

FASTENERS

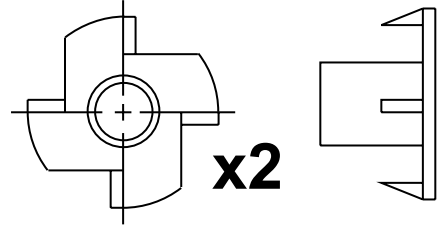
3/8" HEX BOLT



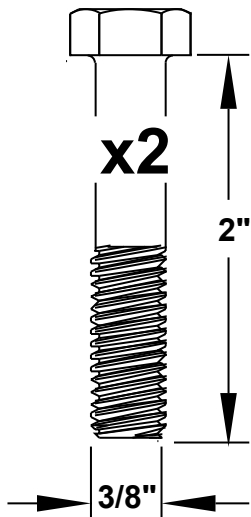
3/8" LOCK WASHER



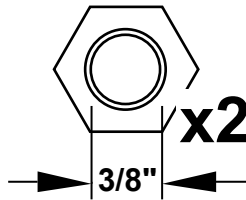
3/8" T - NUT



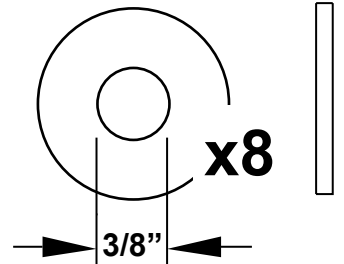
3/8" HEX BOLT



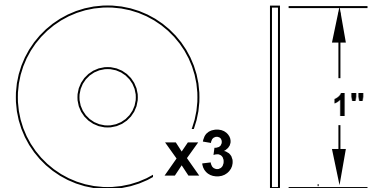
3/8" LOCK NUT



3/8" FLAT WASHER

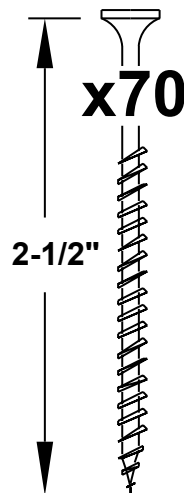
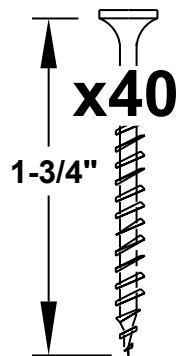
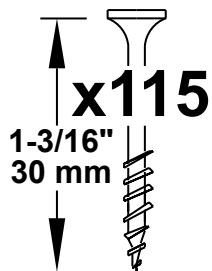


1/4" x 1" FENDER WASHER

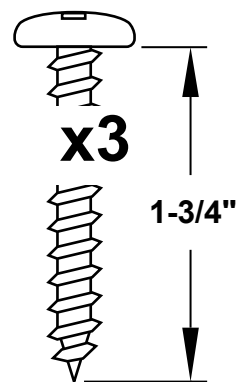


A C T U A L
S I Z E

WOOD SCREWS

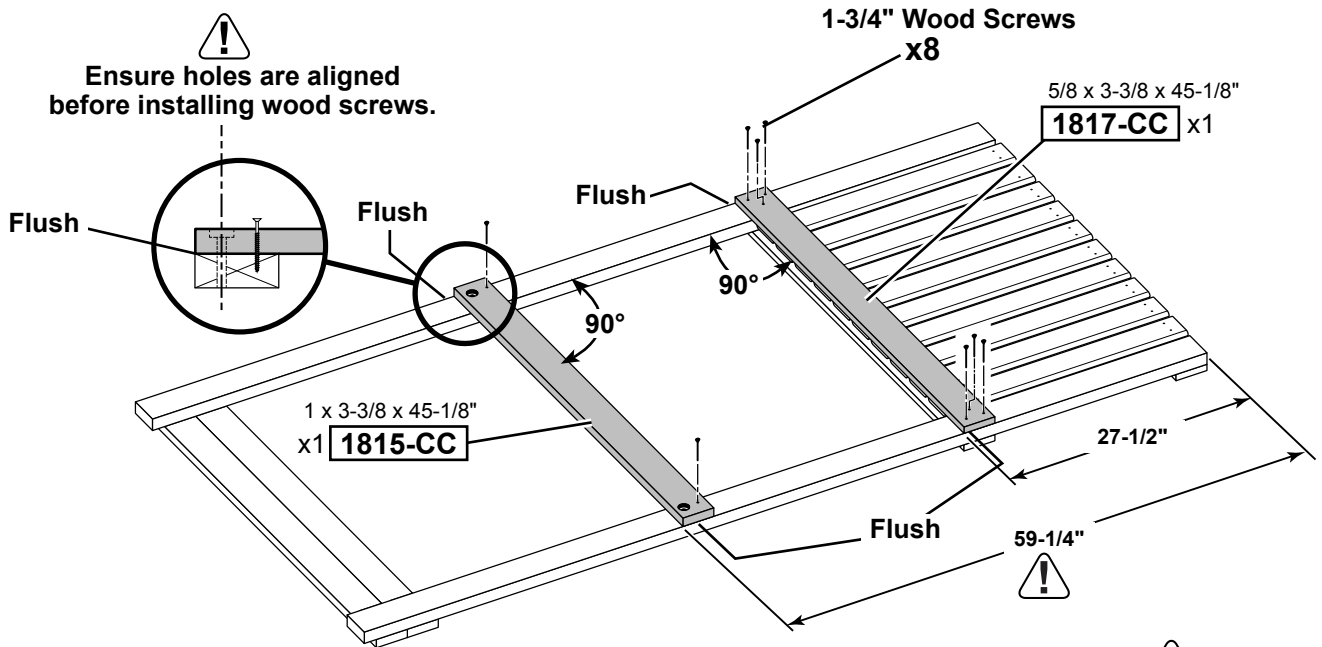


1-3/4" PAN HEAD SCREW



SIDE RAILS

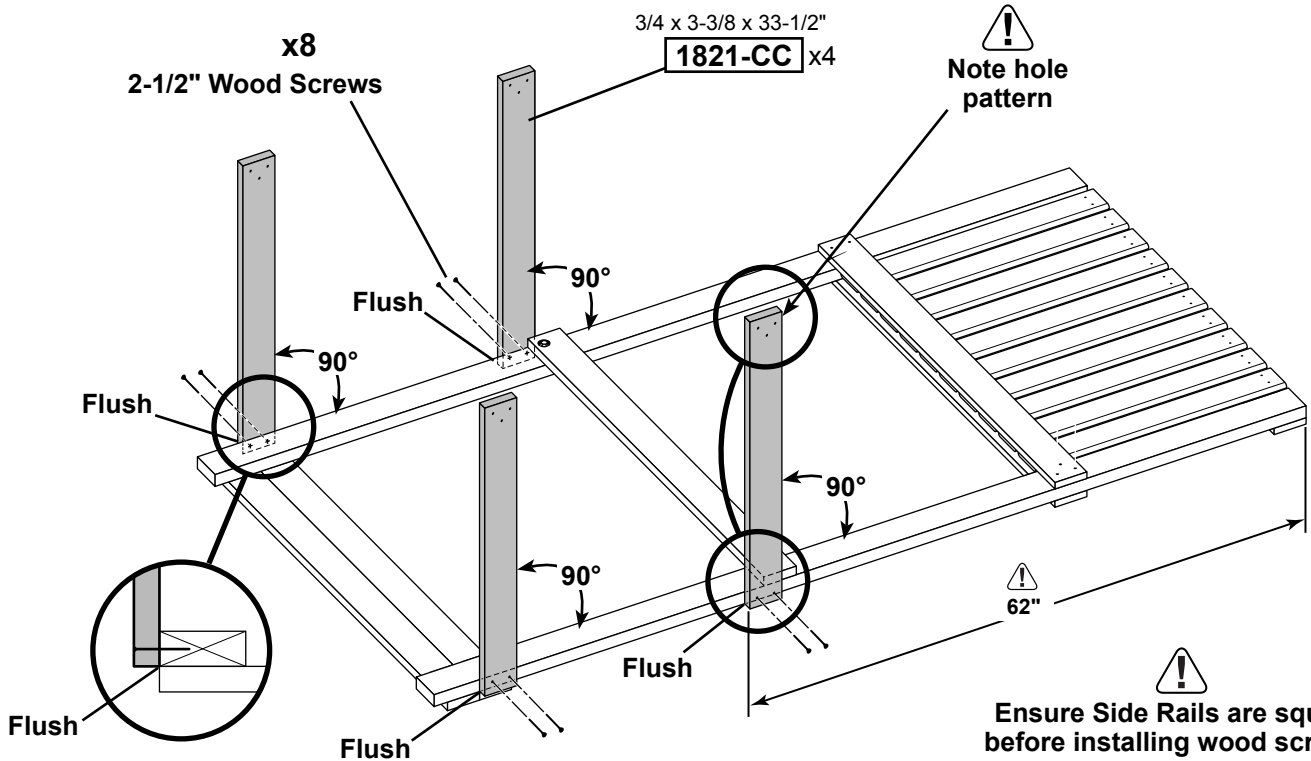
INSTALL



Ensure Side Rails are square before installing fasteners.

SIDE RAILS

INSTALL



Ensure Side Rails are square before installing wood screws.

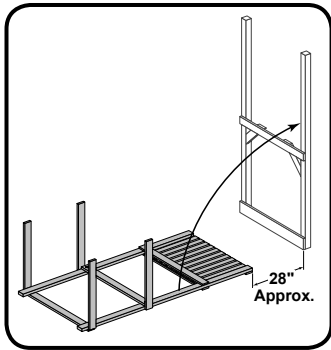
TERRACE

ASSEMBLE

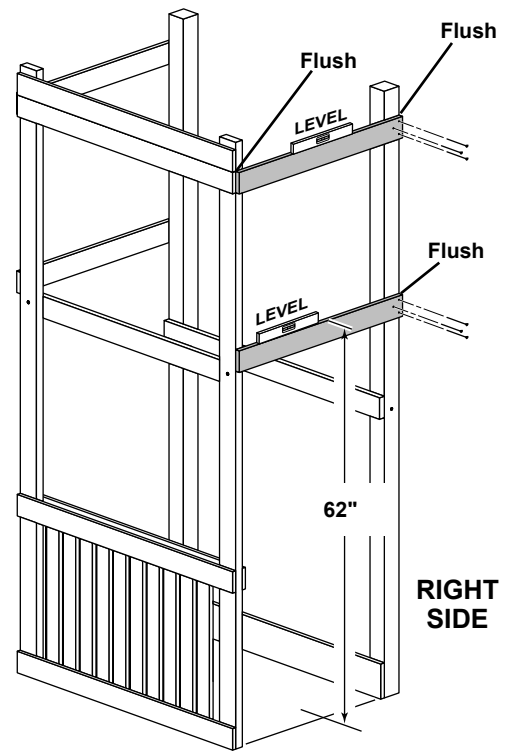
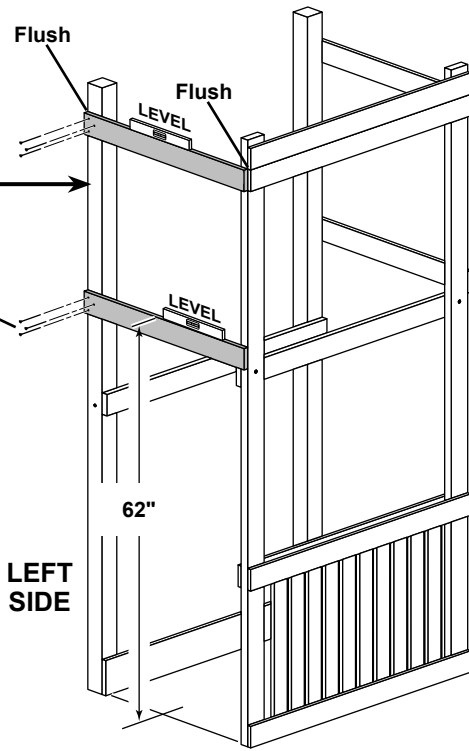
 Ensure side rails are level before installing wood screws.

Attach Terrace to playset tower frame.

2-1/2" Wood Screws x12

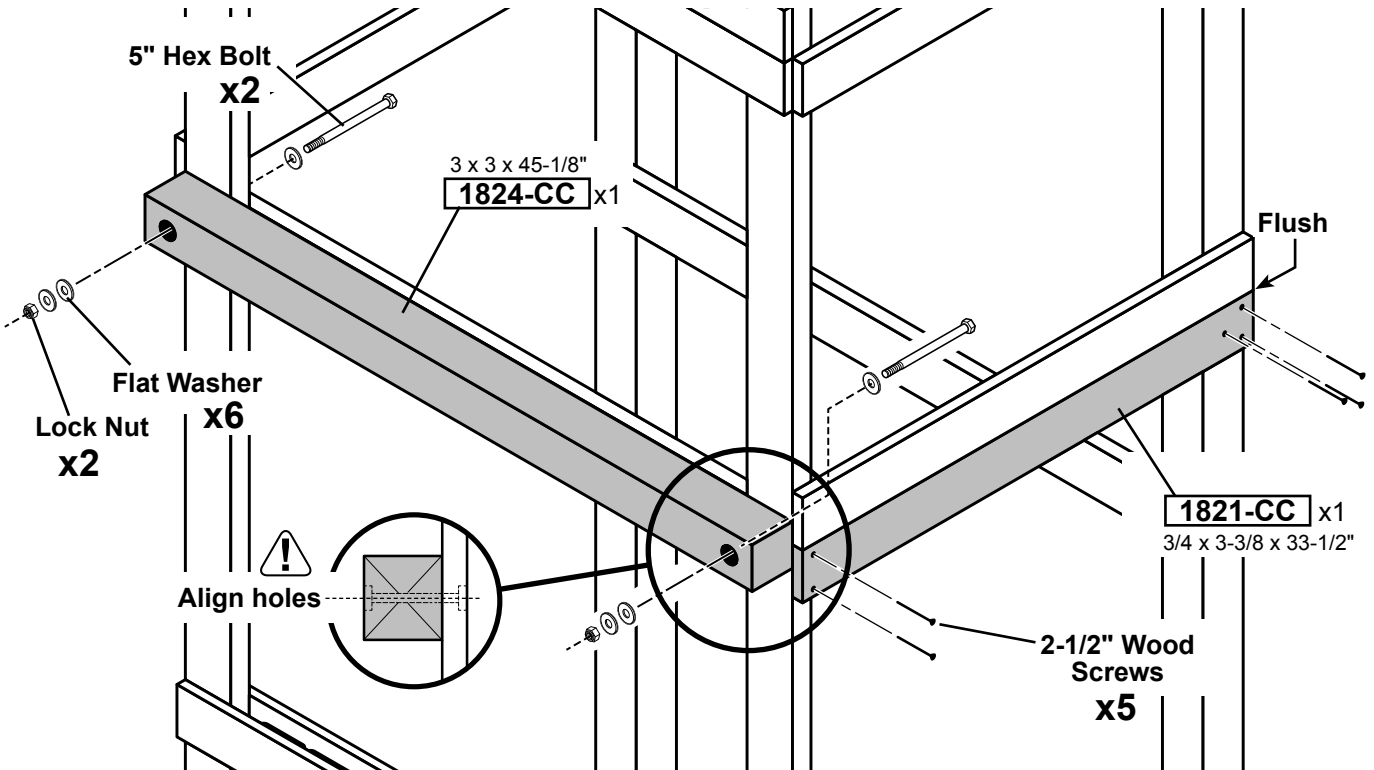


TILT FRAME UP TO INSTALL TERRACE



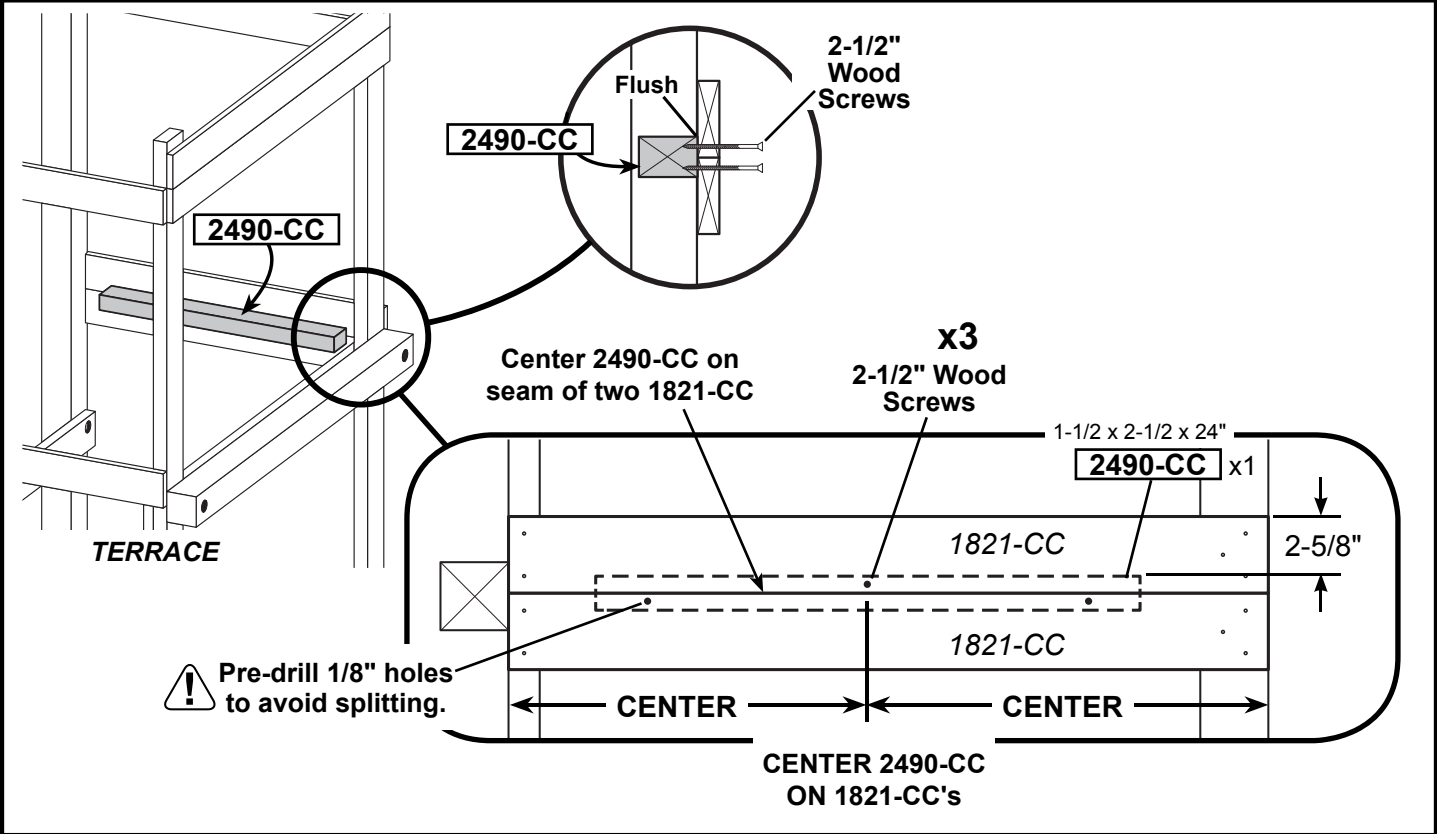
TERRACE

SLIDE SUPPORT



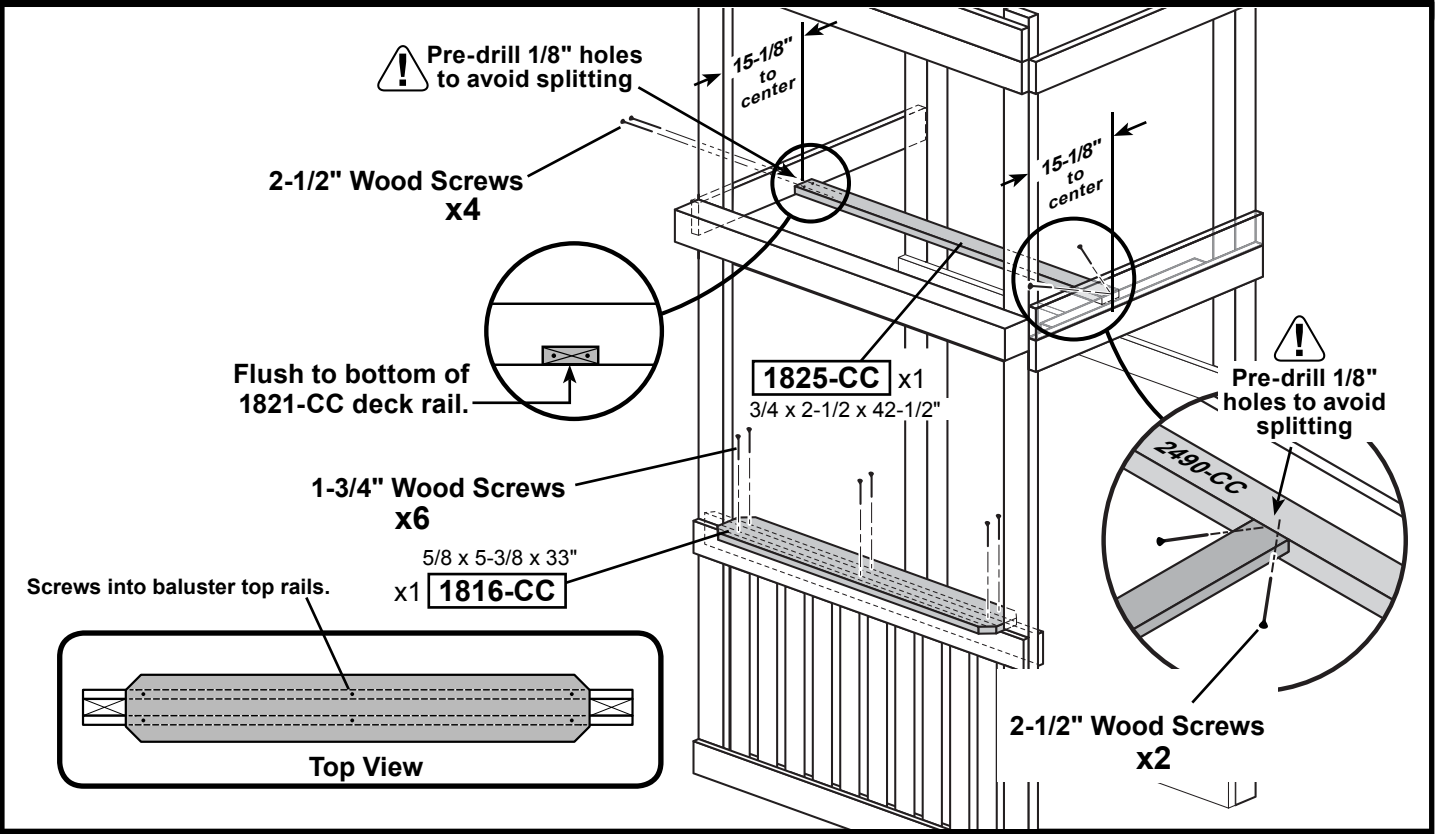
TERRACE

DECK SUPPORT



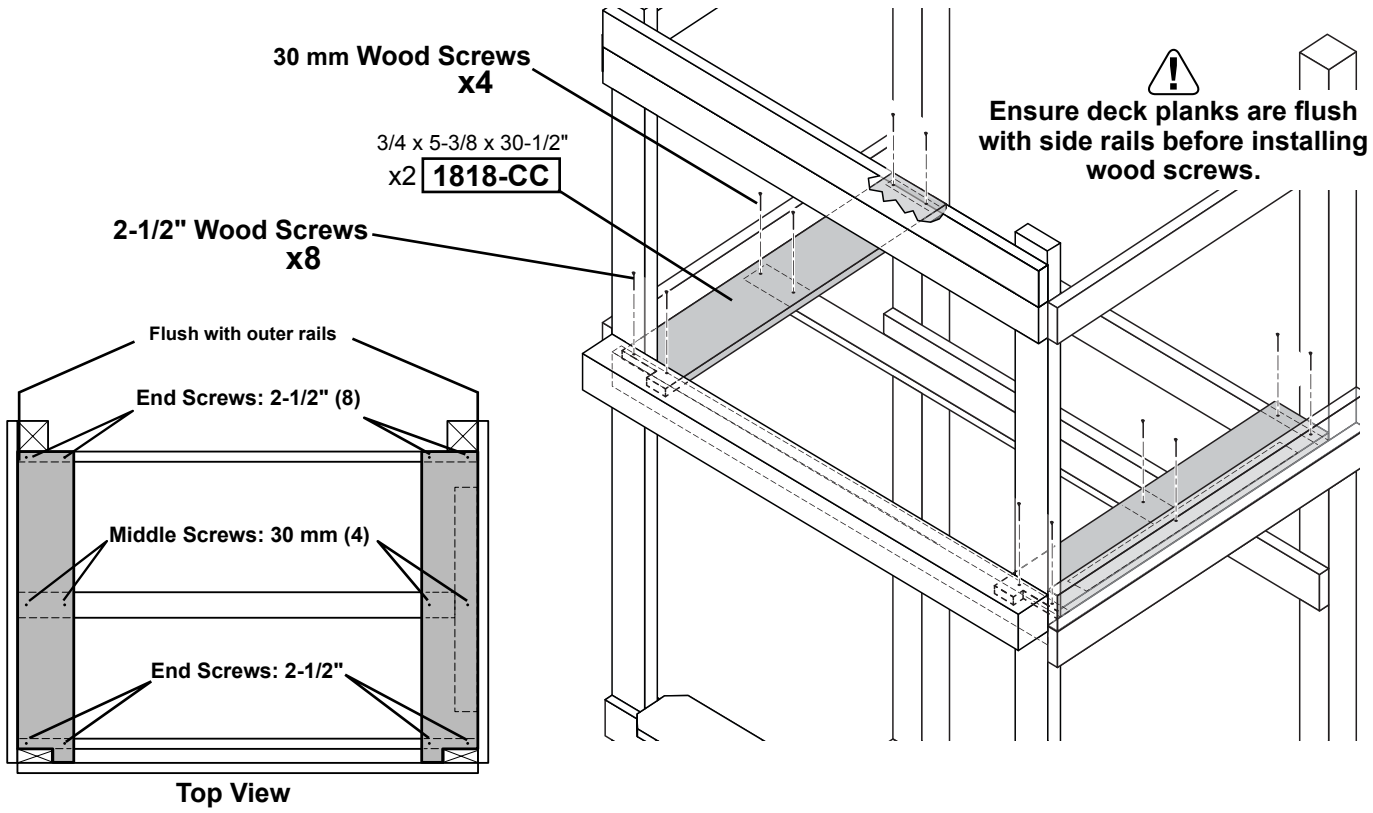
TERRACE

DECK SUPPORT & BAR TOP



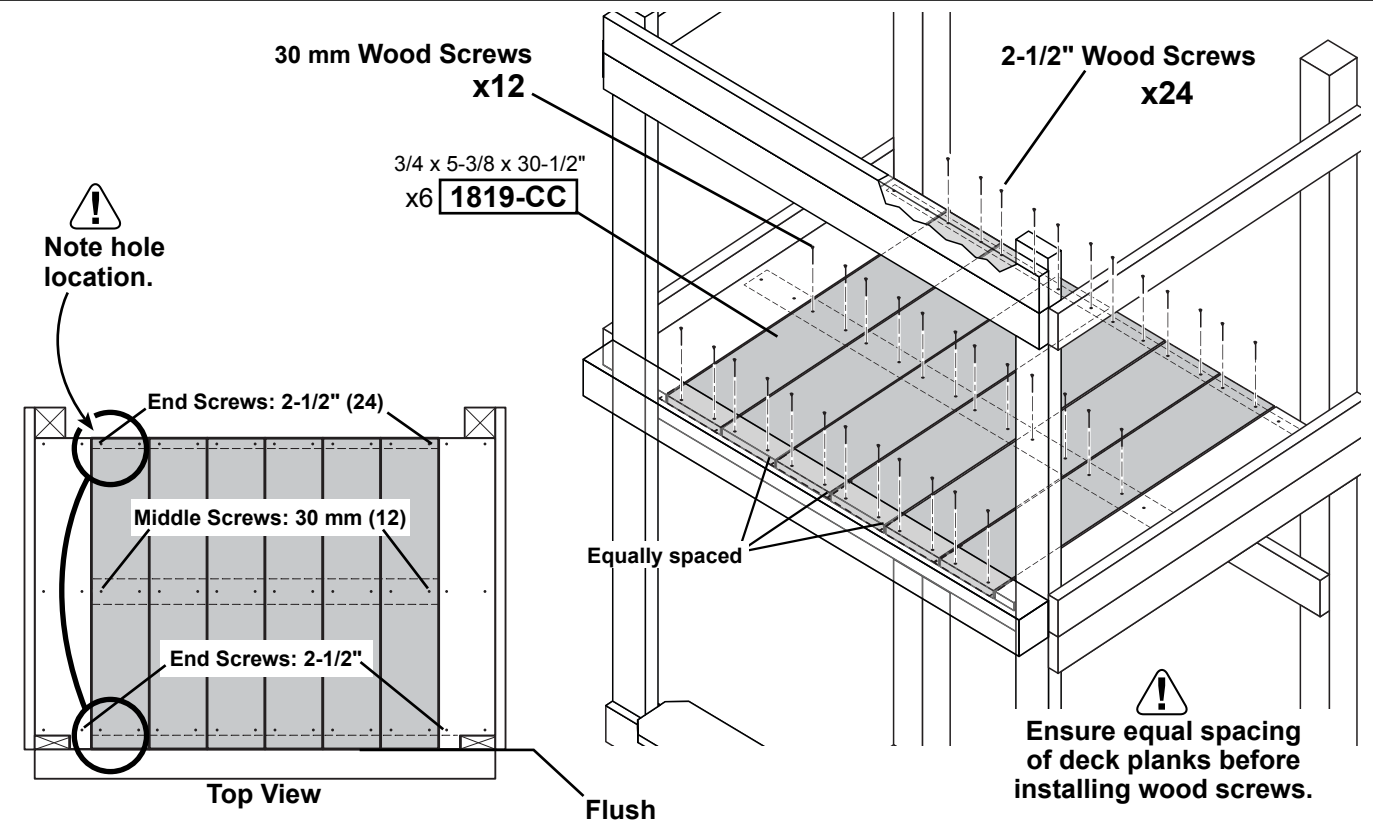
TERRACE

DECK PLANKS



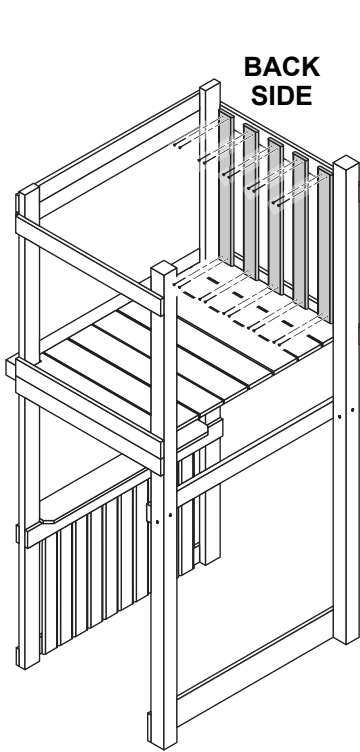
TERRACE

DECK PLANKS



TERRACE

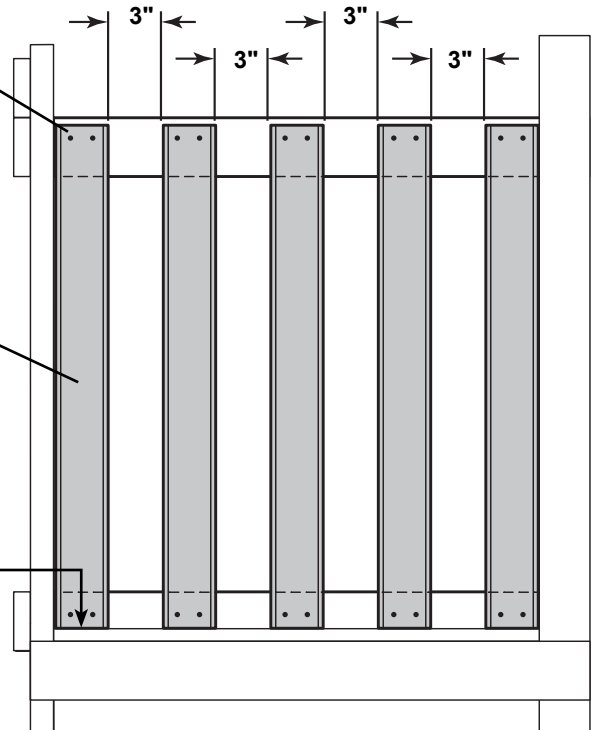
BALUSTERS



30 mm Wood Screws
x20

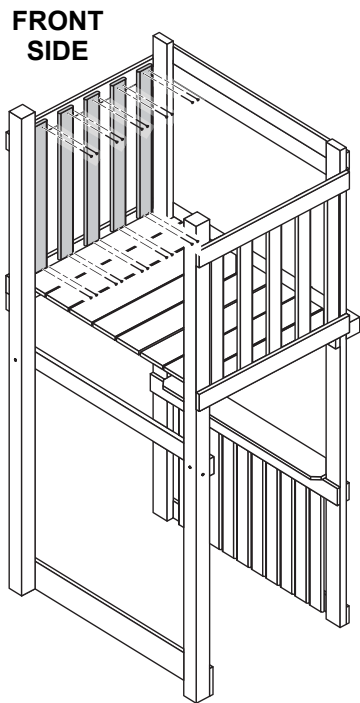
5/8 x 3-1/4 x 29-3/4"
x5 **2523-CC**

Flush



TERRACE

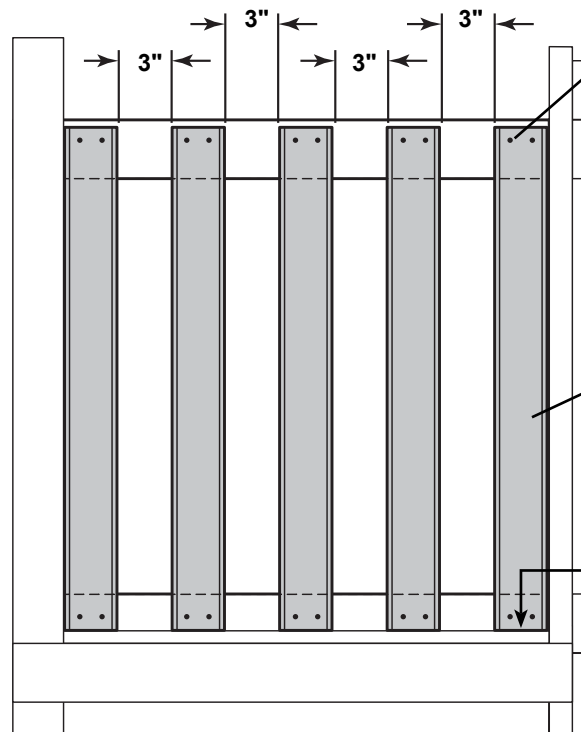
BALUSTERS



30 mm Wood Screws
x20

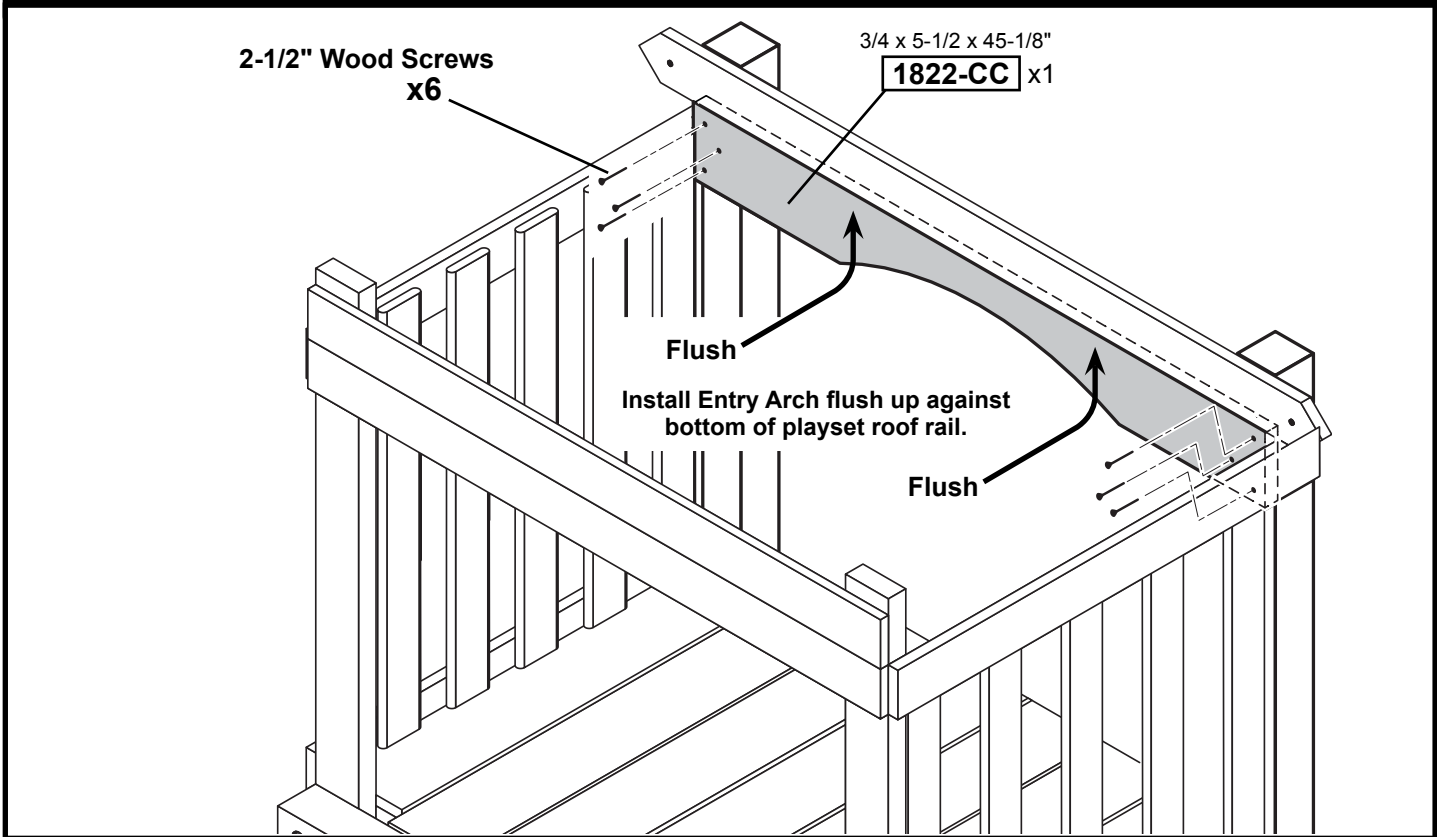
5/8 x 3-1/4 x 29-3/4"
2523-CC x5

Flush



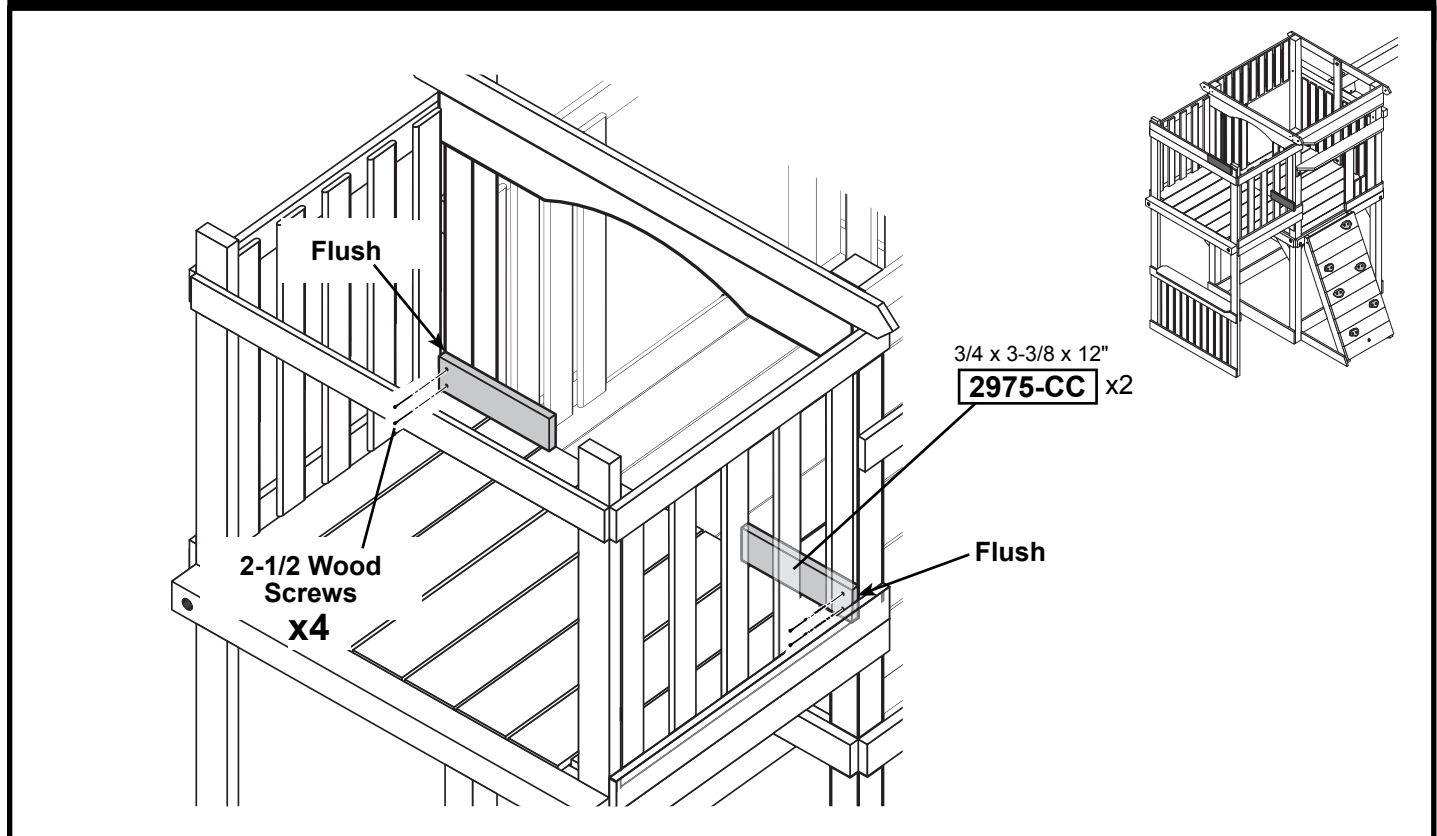
TERRACE

ENTRY ARCH



FORT

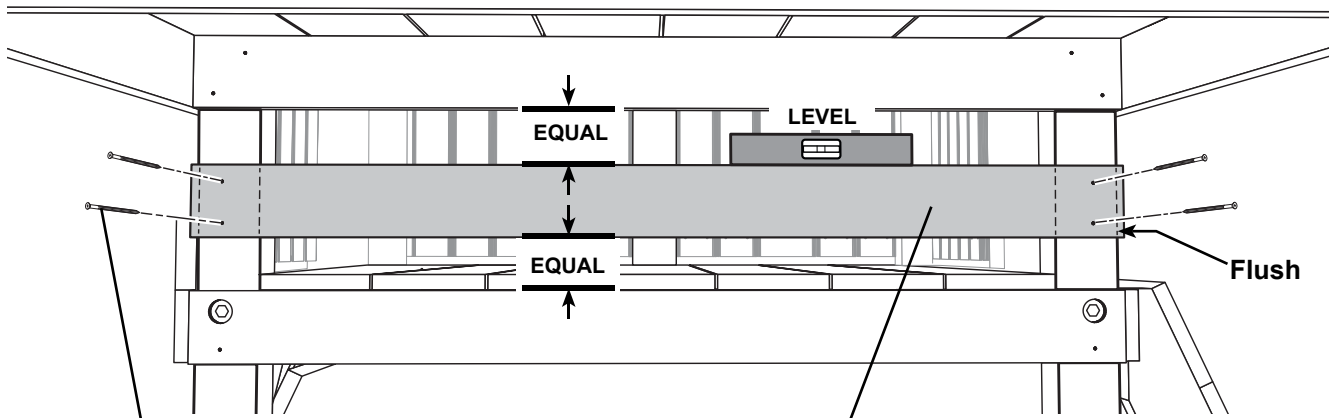
BALUSTER SUPPORTS



FORT

SAFETY BARRIER

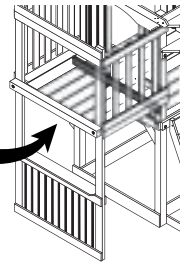
VIEW FROM UNDER
TERRACE



2-1/2" Wood Screws
x4

2973-CC x1
3/4 x 3-3/8 x 45-1/8"

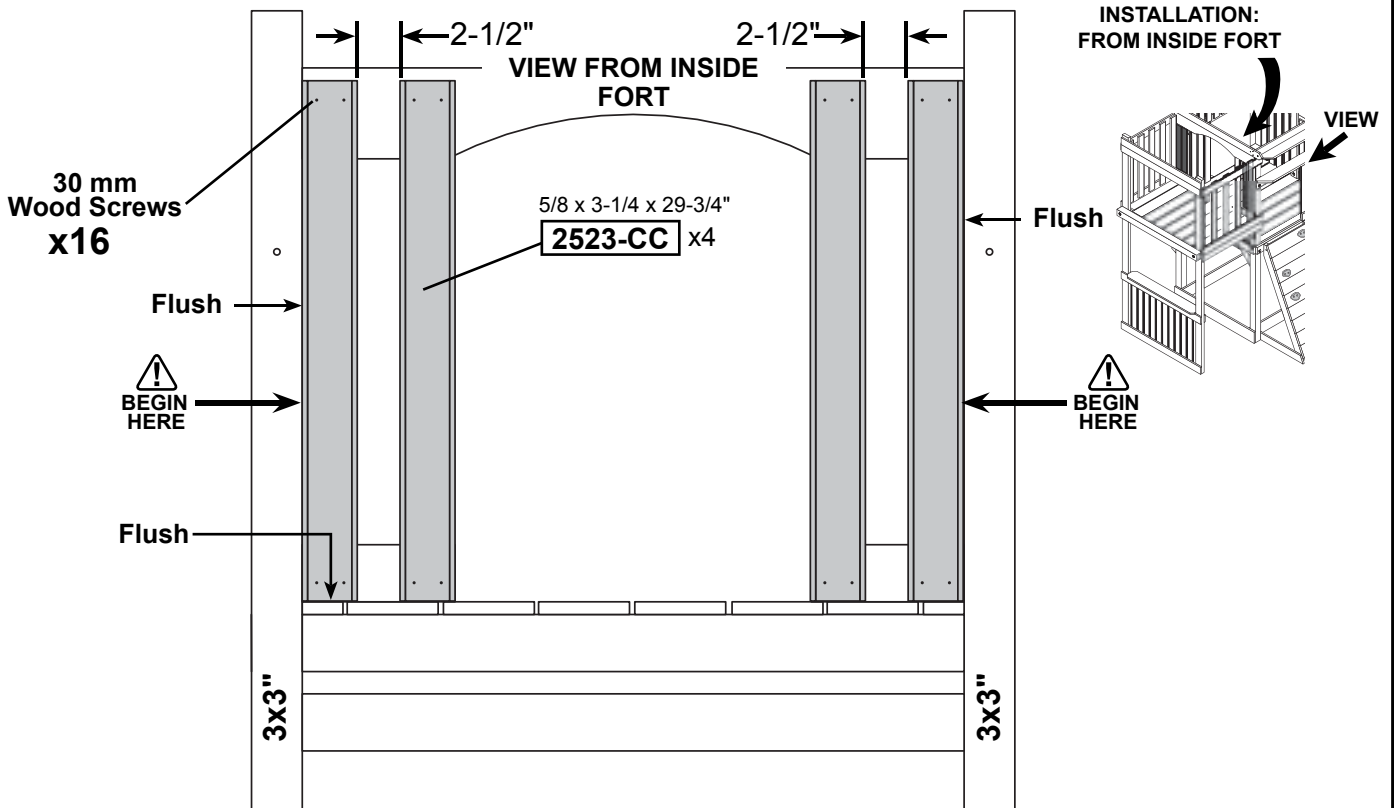
INSTALLATION:
UNDER TERRACE



FORT

BALUSTERS

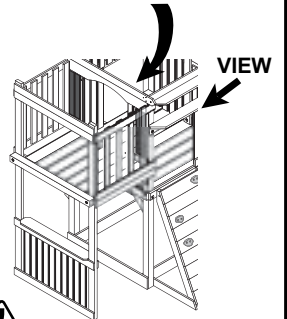
VIEW FROM INSIDE
FORT



30 mm
Wood Screws
x16

5/8 x 3-1/4 x 29-3/4"
2523-CC x4

INSTALLATION:
FROM INSIDE FORT

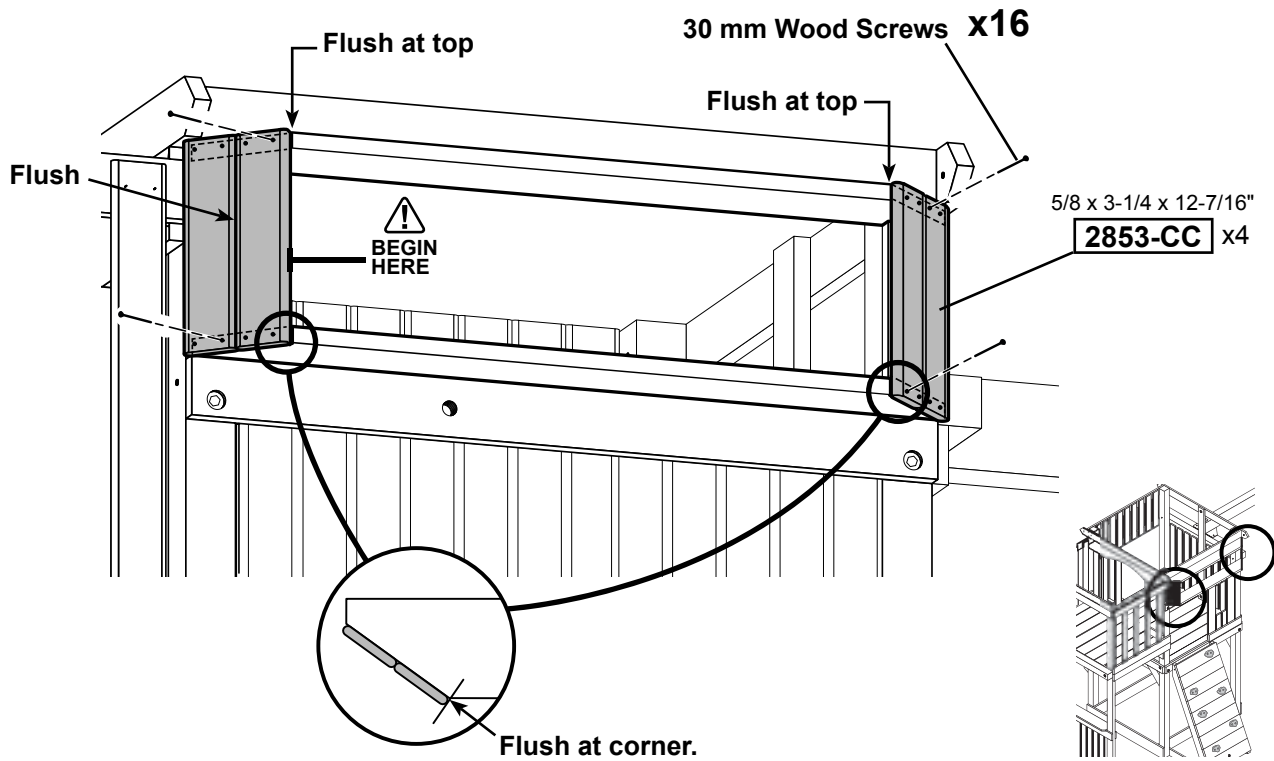


⚠
BEGIN
HERE

⚠
BEGIN
HERE

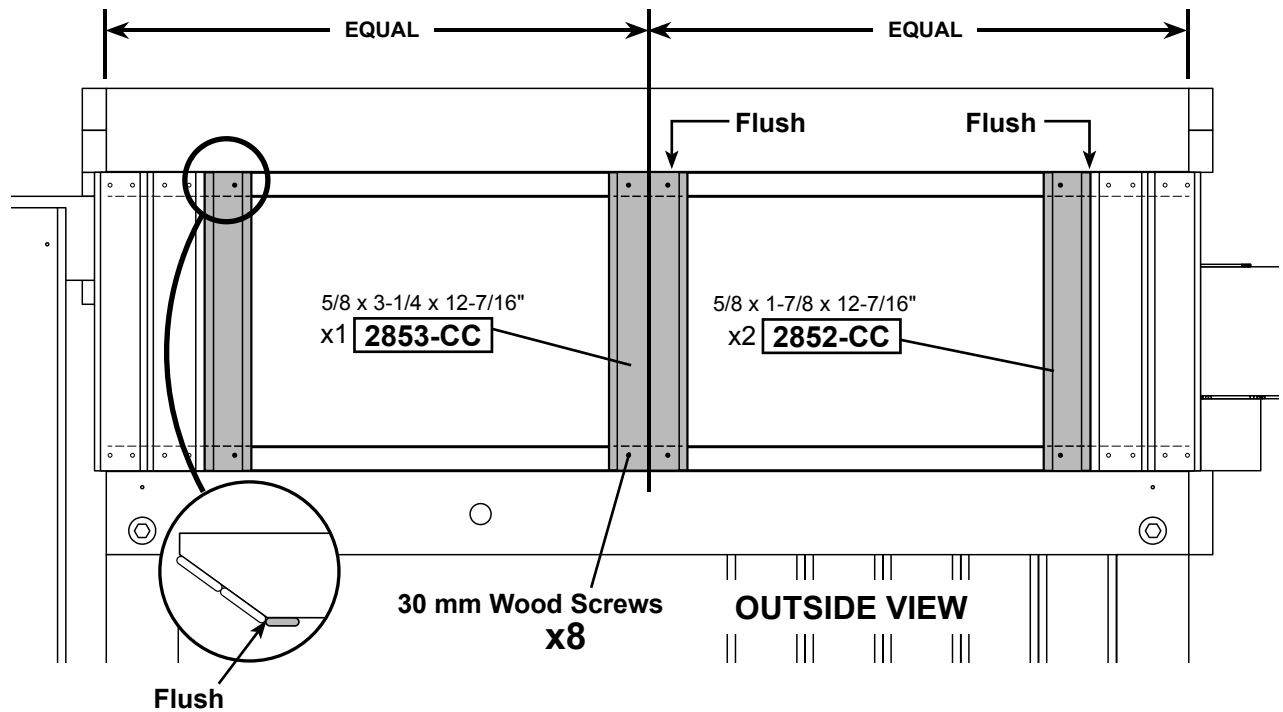
FORT

BAY WINDOW



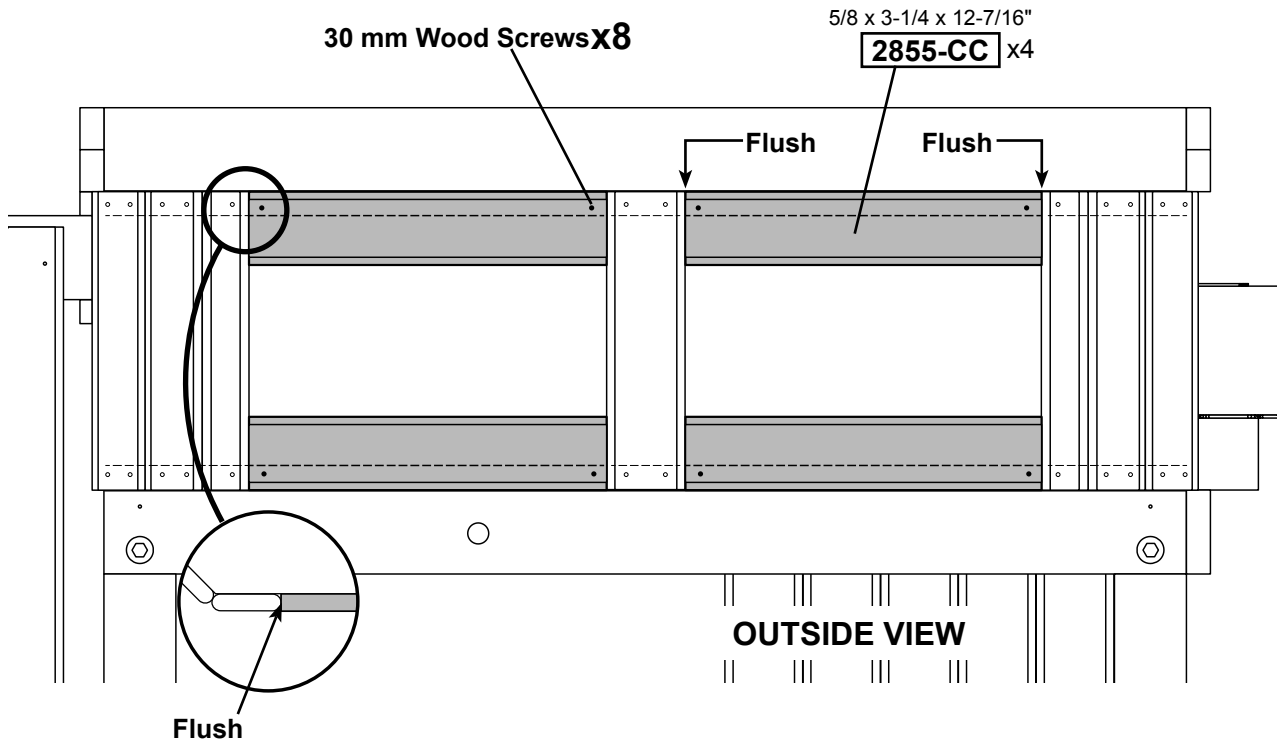
FORT

BAY WINDOW



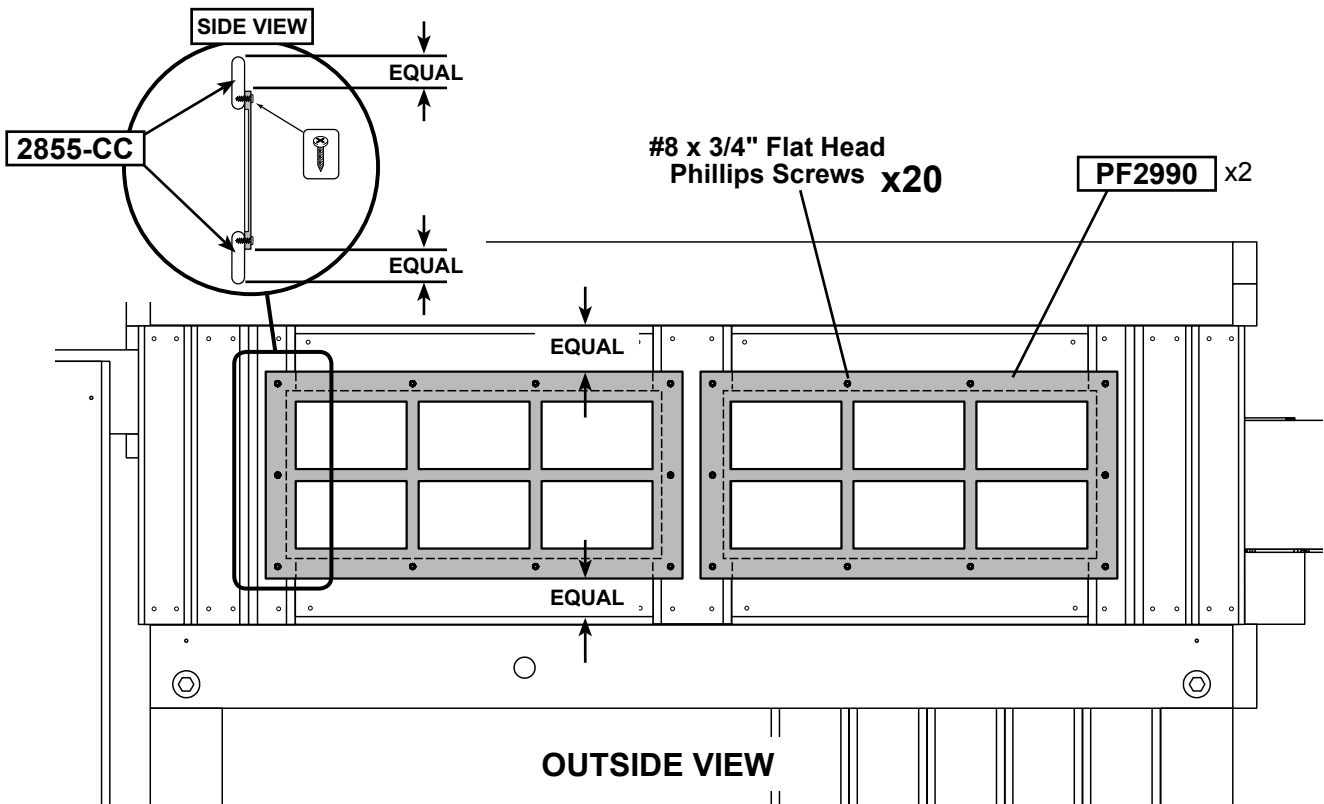
FORT

BAY WINDOW



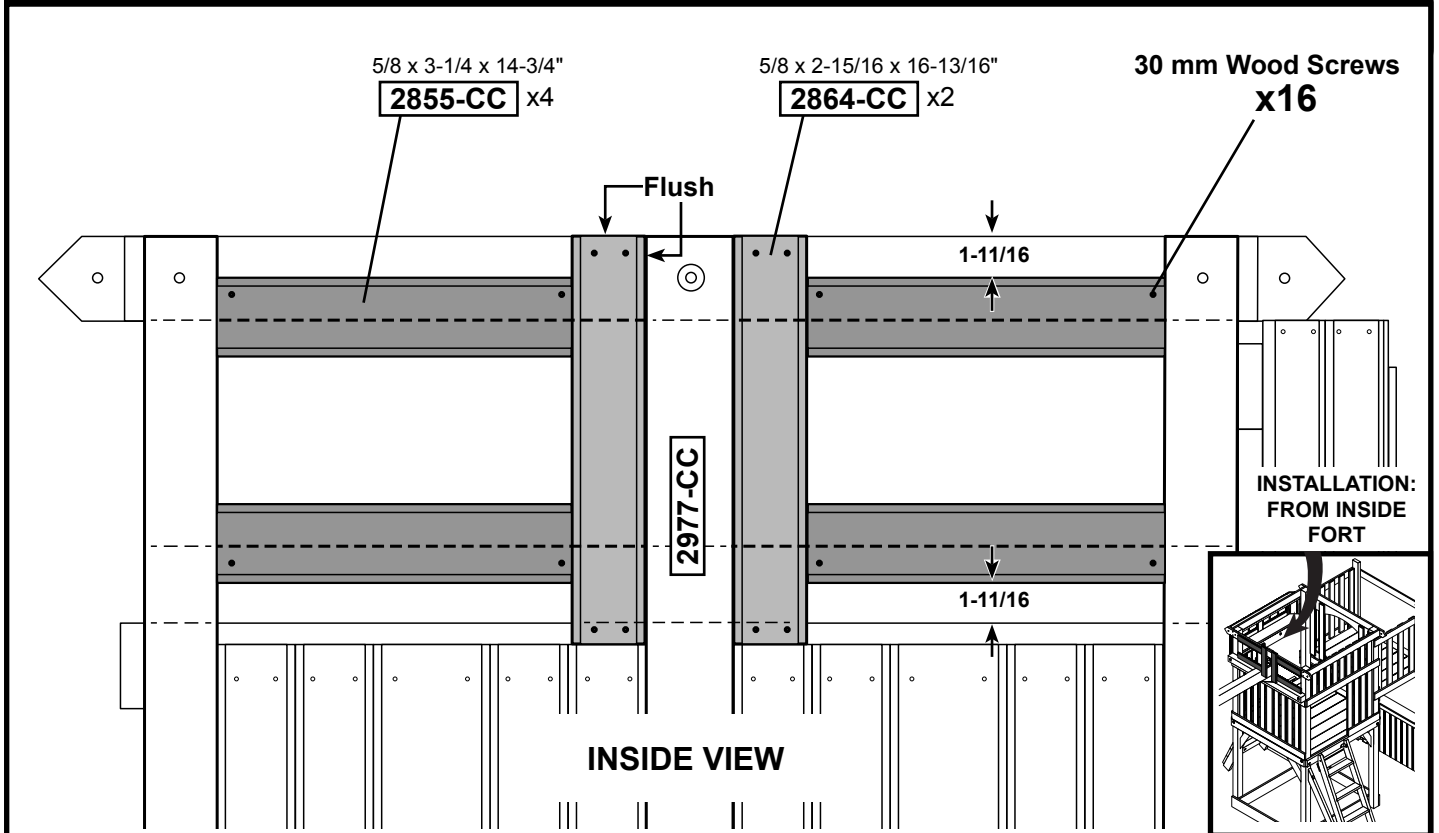
FORT

BAY WINDOW



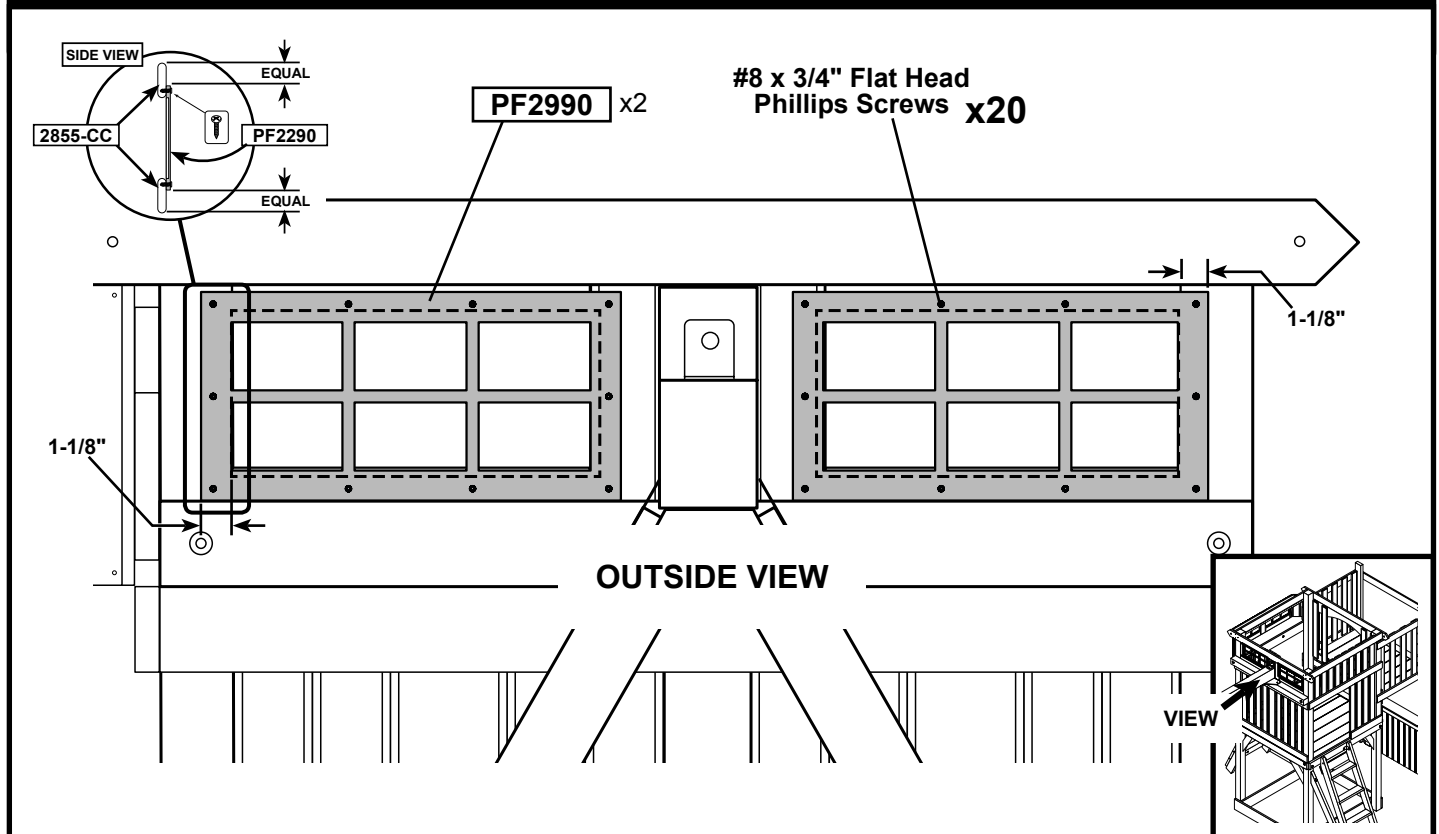
FORT

SWING BEAM SIDE WINDOWS



FORT

SWING BEAM SIDE WINDOWS

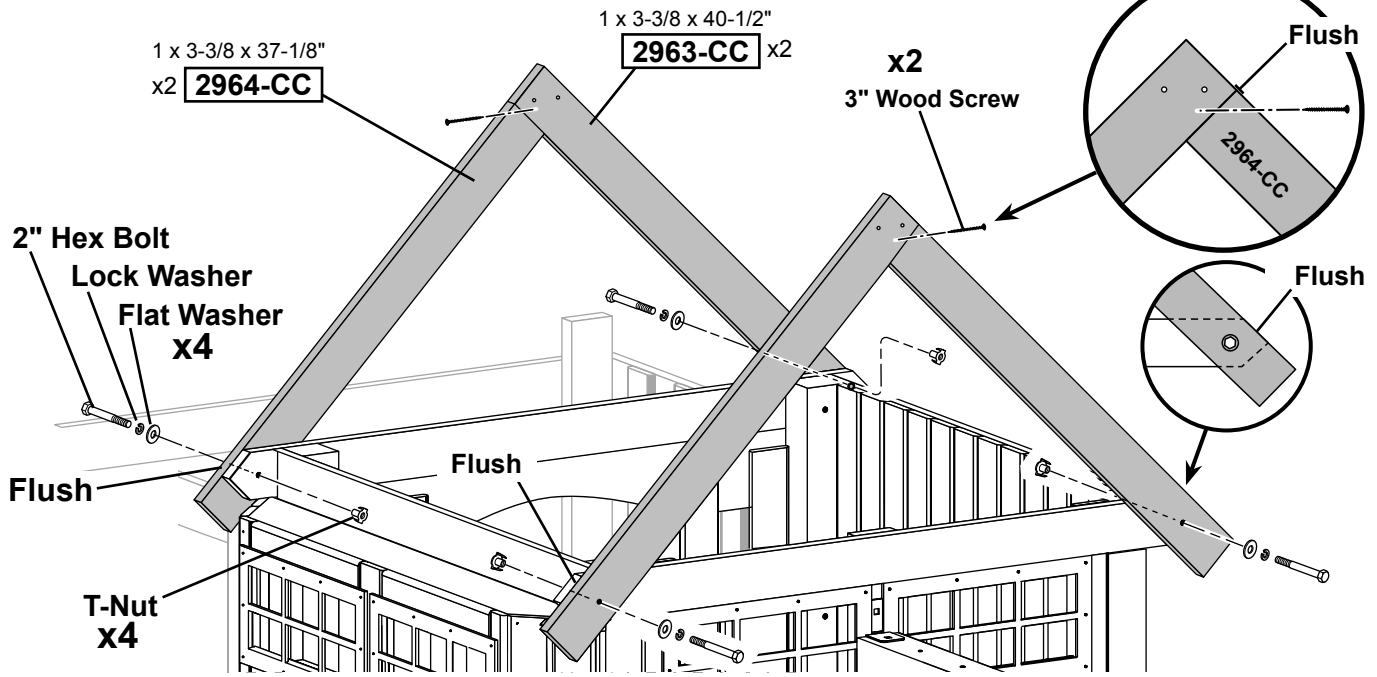


ROOF

FRAME

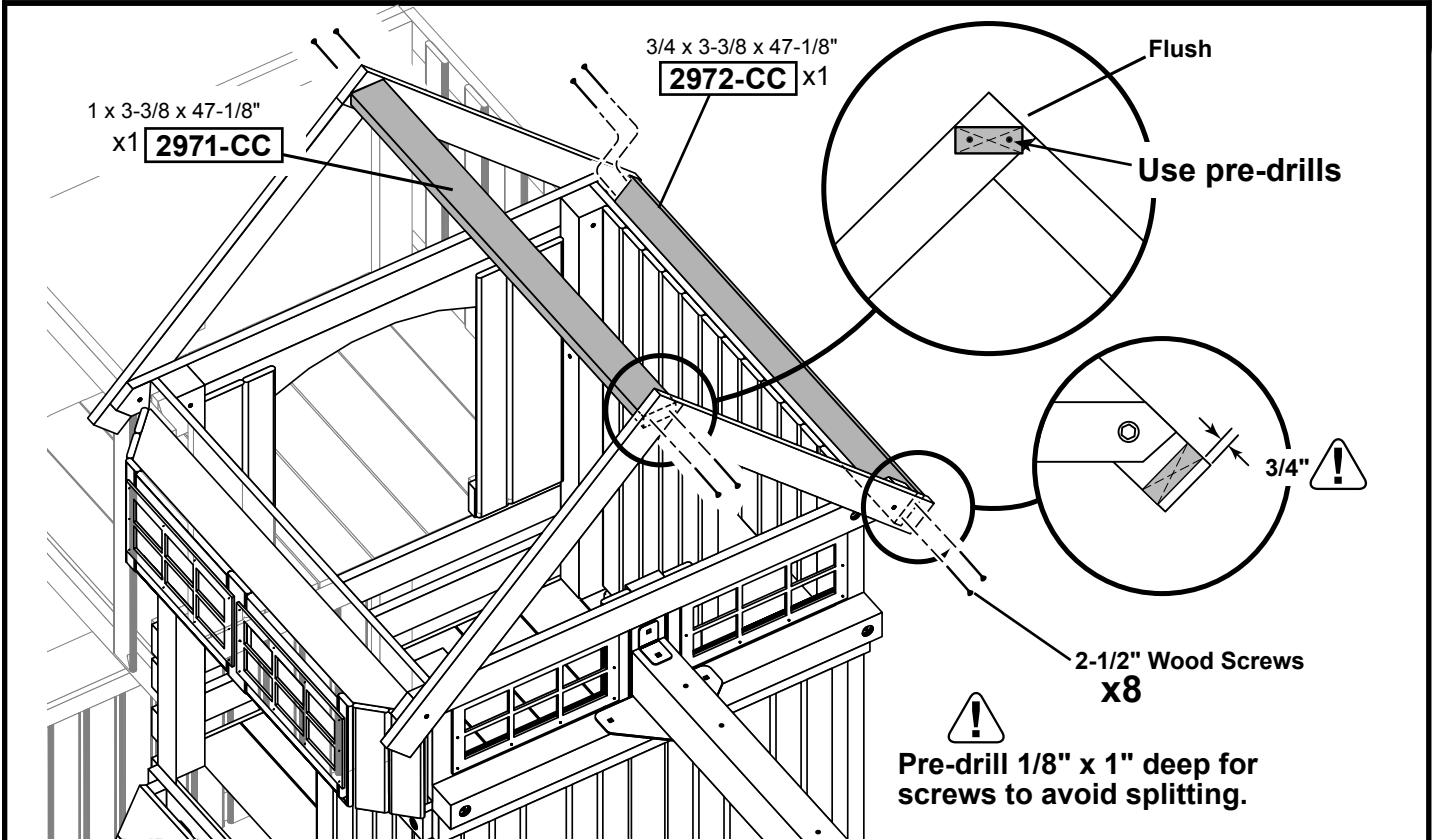


Orient 2963-CC so that pre-drilled holes at the top are horizontal.
If the holes are not, rotate the board.
Secure 2964-CC and 2963-CC using 3" screws.



ROOF

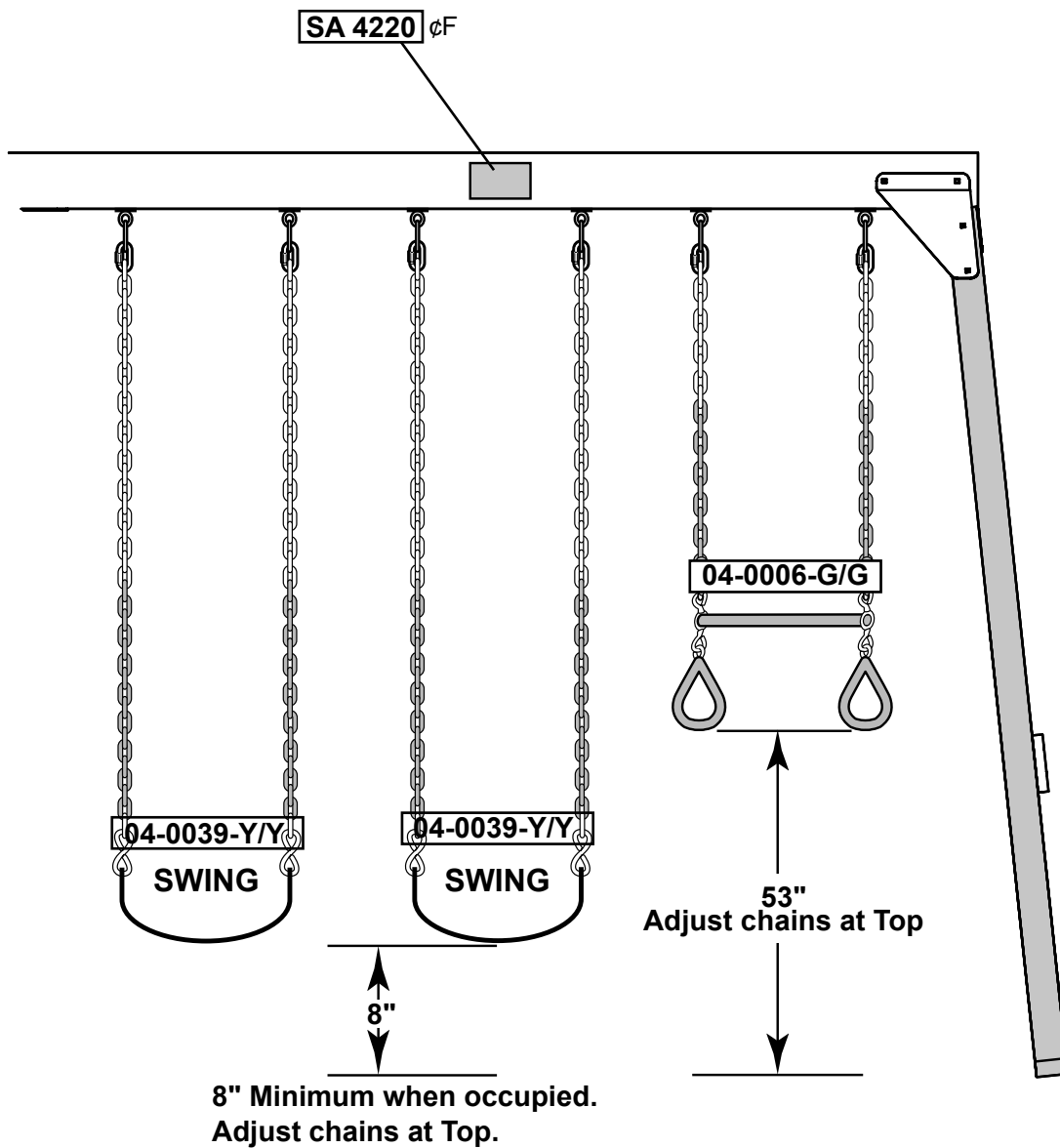
FRAME





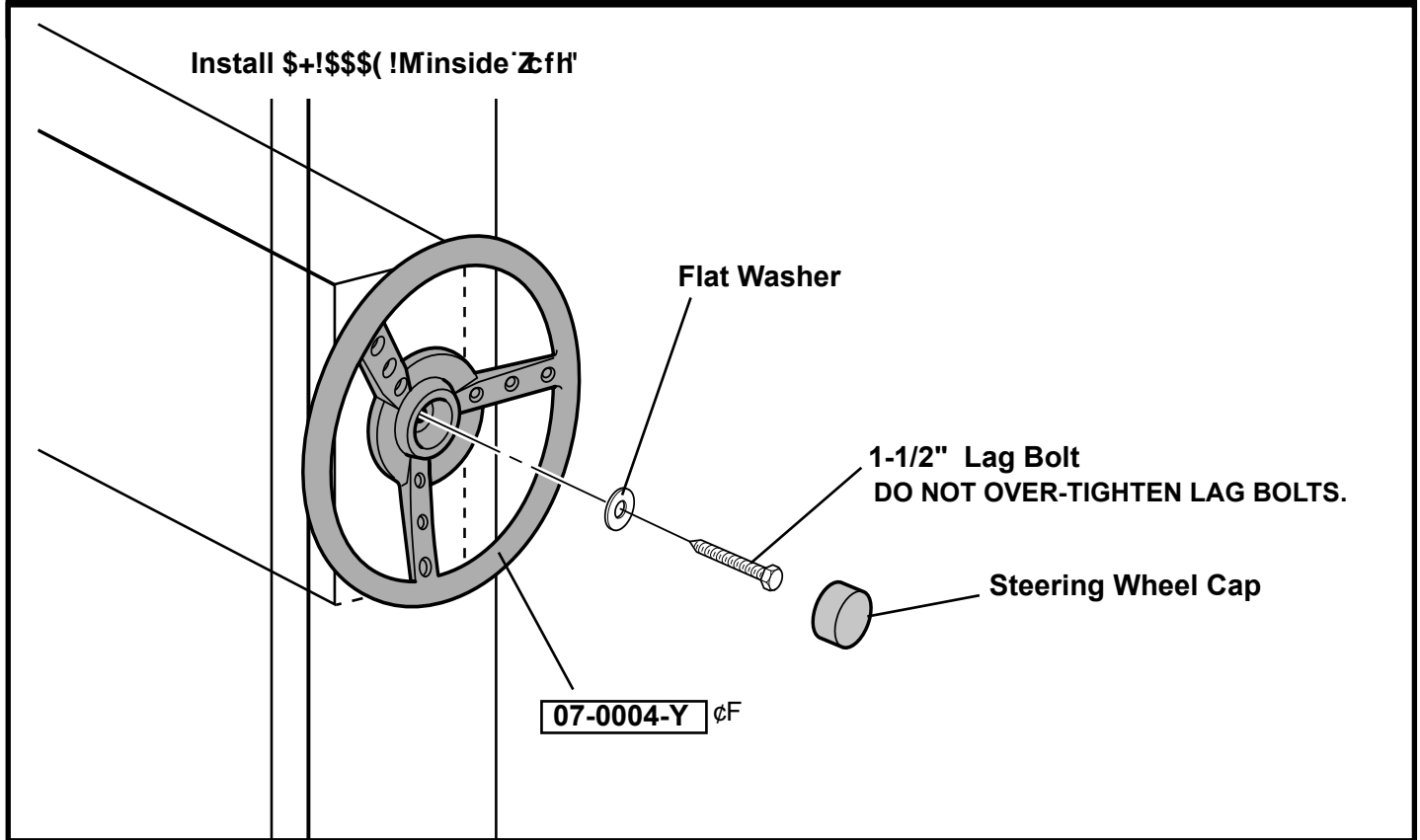
REFER TO THE WOOD ROOF MANUAL AT THIS TIME.

Attach Playset Plaque using one 1" philips head screw (provided) at each corner of plaque.



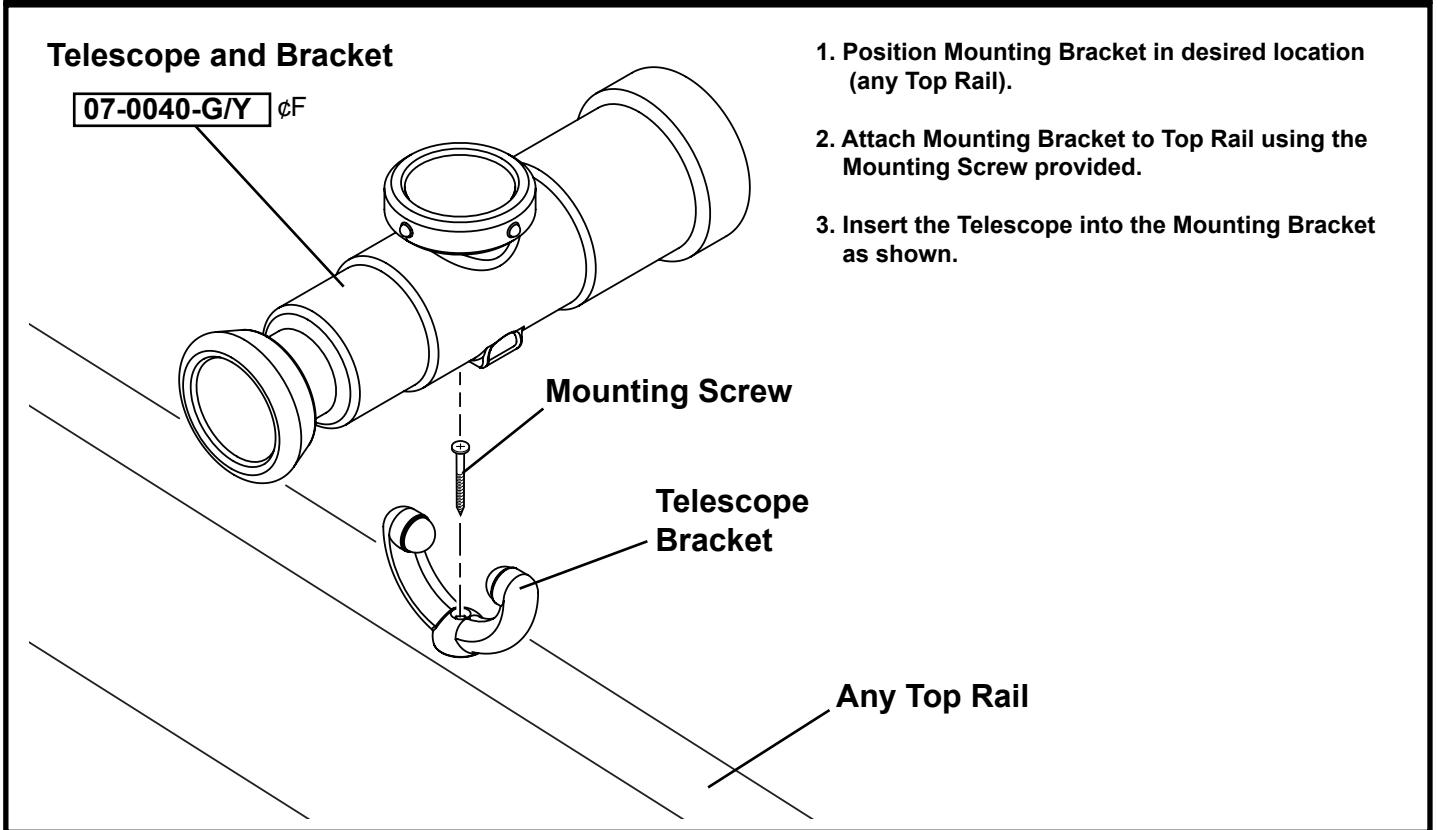
STEERING WHEEL

INSTALL



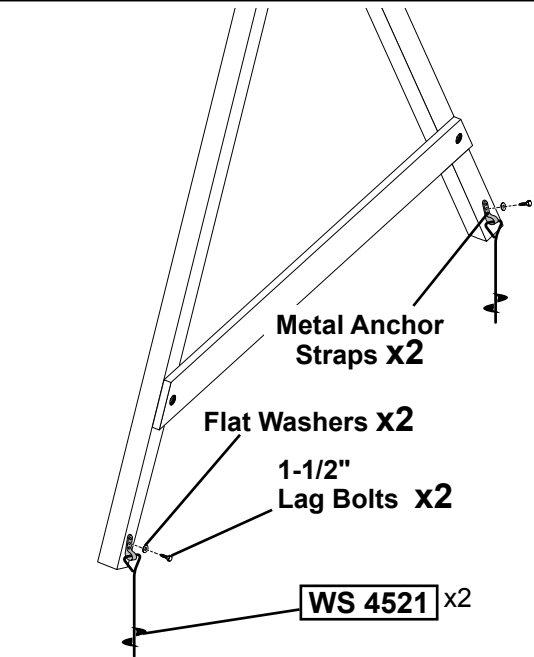
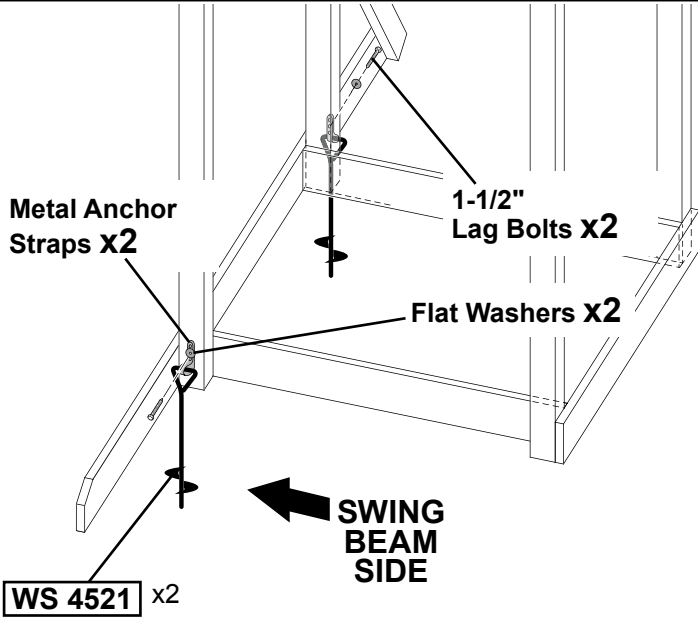
TELESCOPE

INSTALL



FORT

STAKES

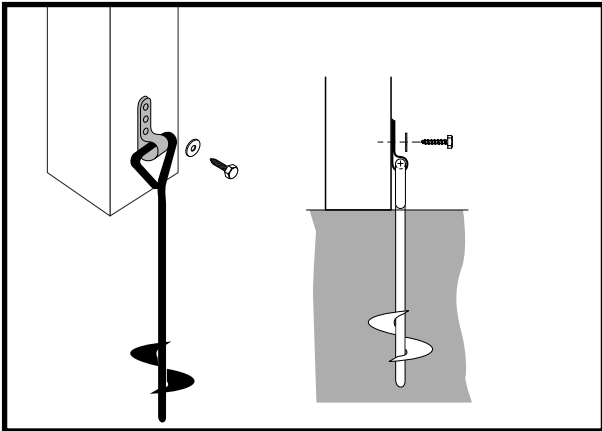


Install stakes into 3 x 3" uprights.
Locate stakes as shown.

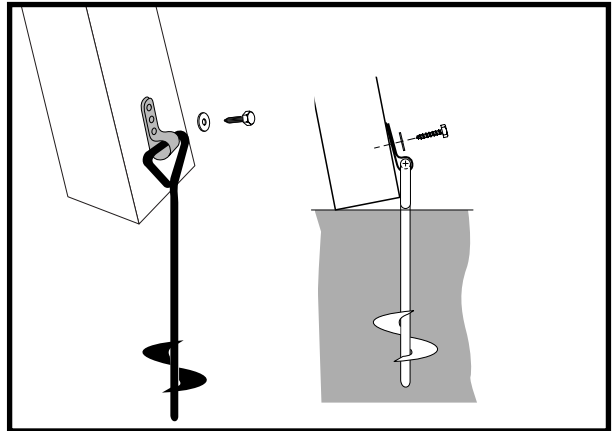
Make sure all base pieces and uprights are resting flat on the ground.

It may be necessary to loosen the soil beneath Playset to make everything level.

TOWER UPRIGHT

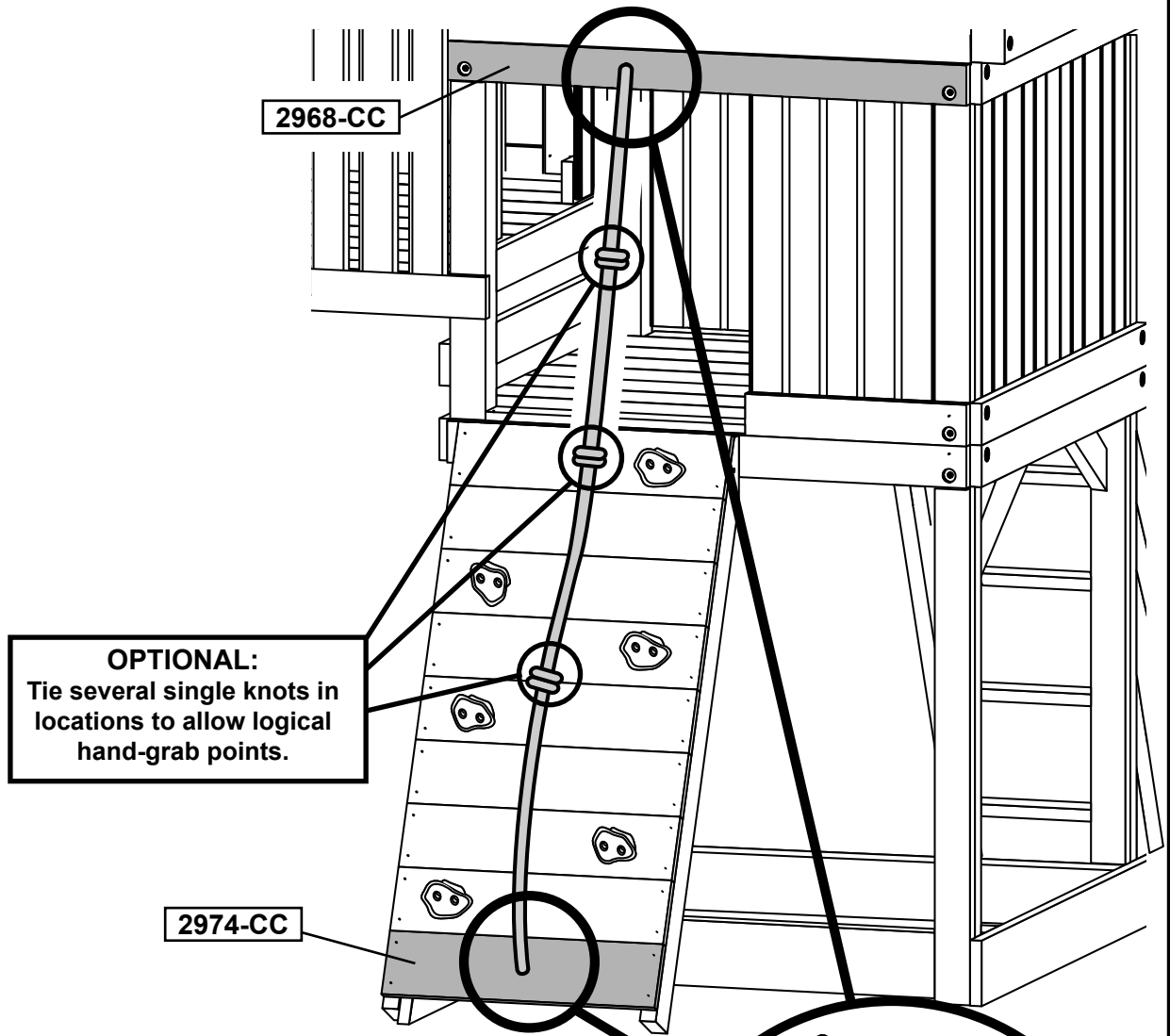


A FRAME



Instructions for anchoring your playset product to the ground.

1. Determine the final location of your playset product.
2. Place the Anchor Stakes adjacent to the base and near the corners of your playset product (at the bottom of the legs on swing sets) and twist the auger-style Anchor Stakes into the ground until only the loop is exposed.
3. Place the metal strap through the loop of the Anchor Stake and secure it to the unit with a lag screw and washer as shown.
Note: Attach the strap to the unit with as little play as possible using whatever holes in the strap work the best.



Step 1

Feed top of Climbing Rope through front of Upper Rail (2968-CC) and tie a double knot on the back side (Fig. 1).

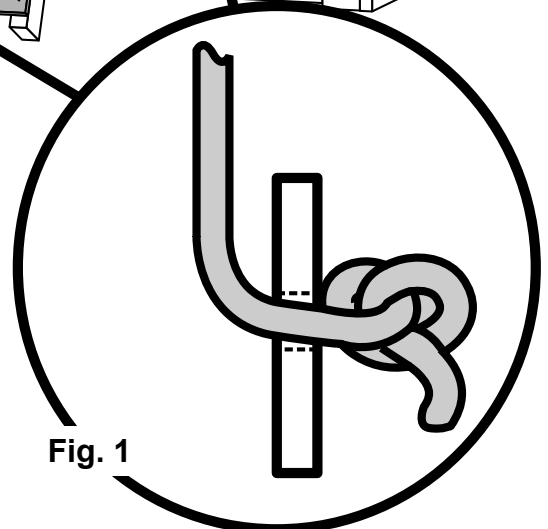
Step 2

Feed lower end of Climbing Rope through hole in Rock Wall board (2974-CC) and tie a double knot on the back side (Fig. 1).

For Safety, insure that the rope is tight enough so that it can not be looped back on itself.

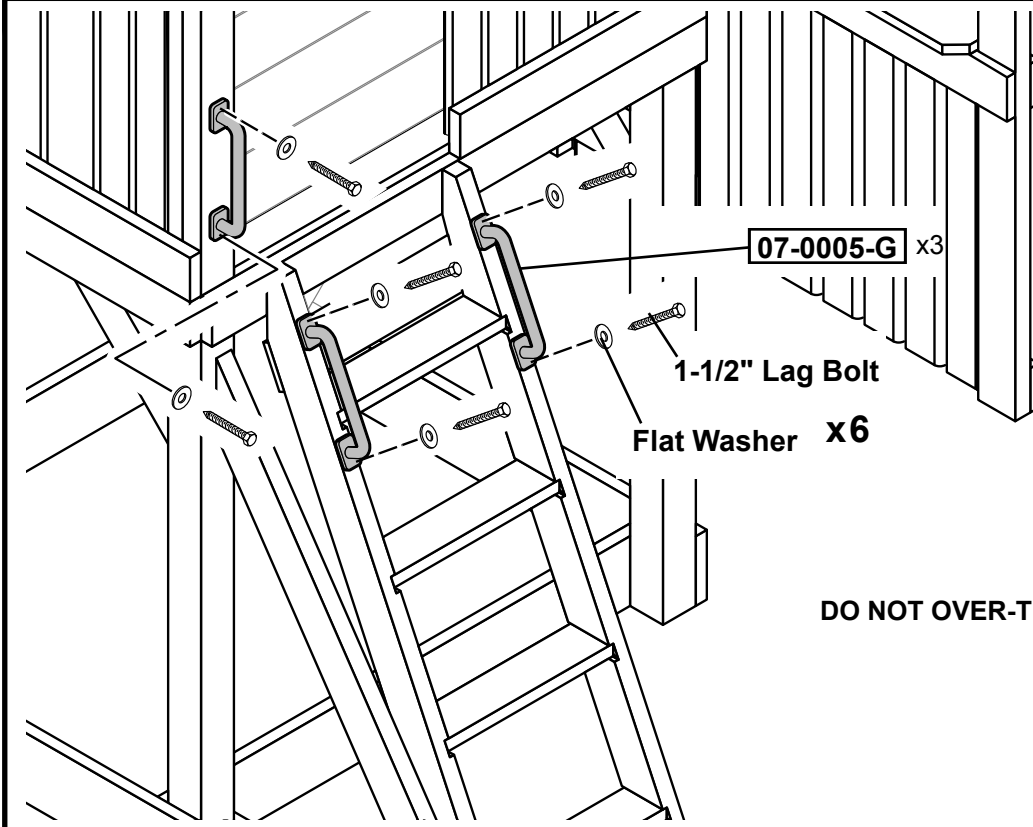
Keep tying double knots at the bottom end of rope until there is no remaining loose rope.

Do not cut ends of rope.



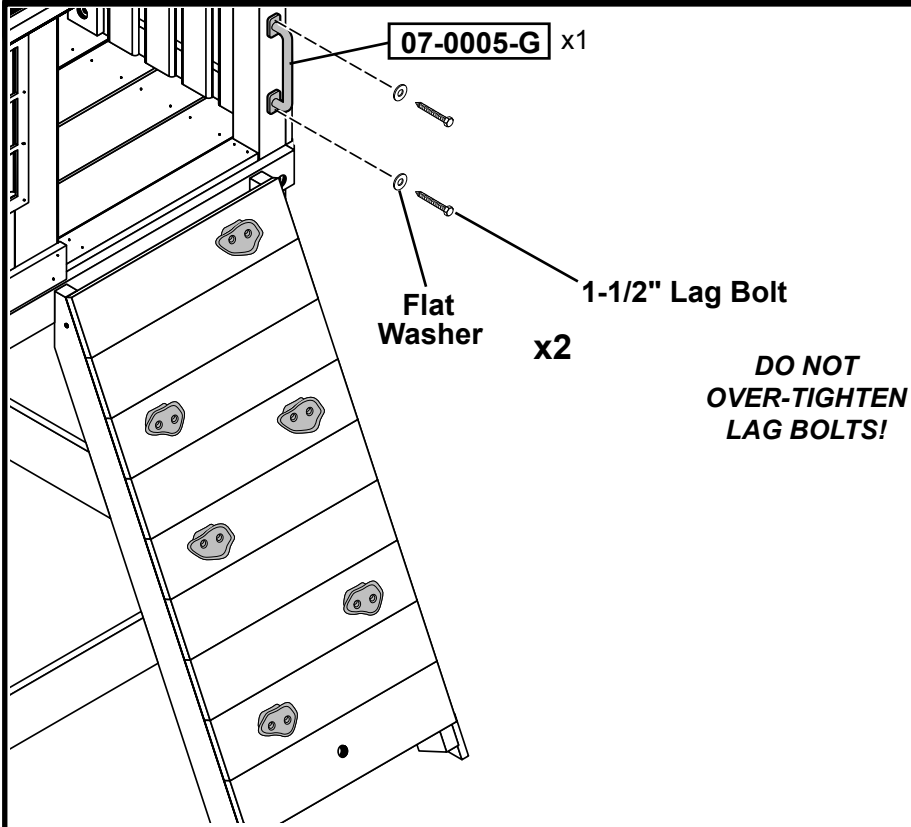
ACCESSORIES

SAFETY HANDLES - STEP LADDER



ACCESSORIES

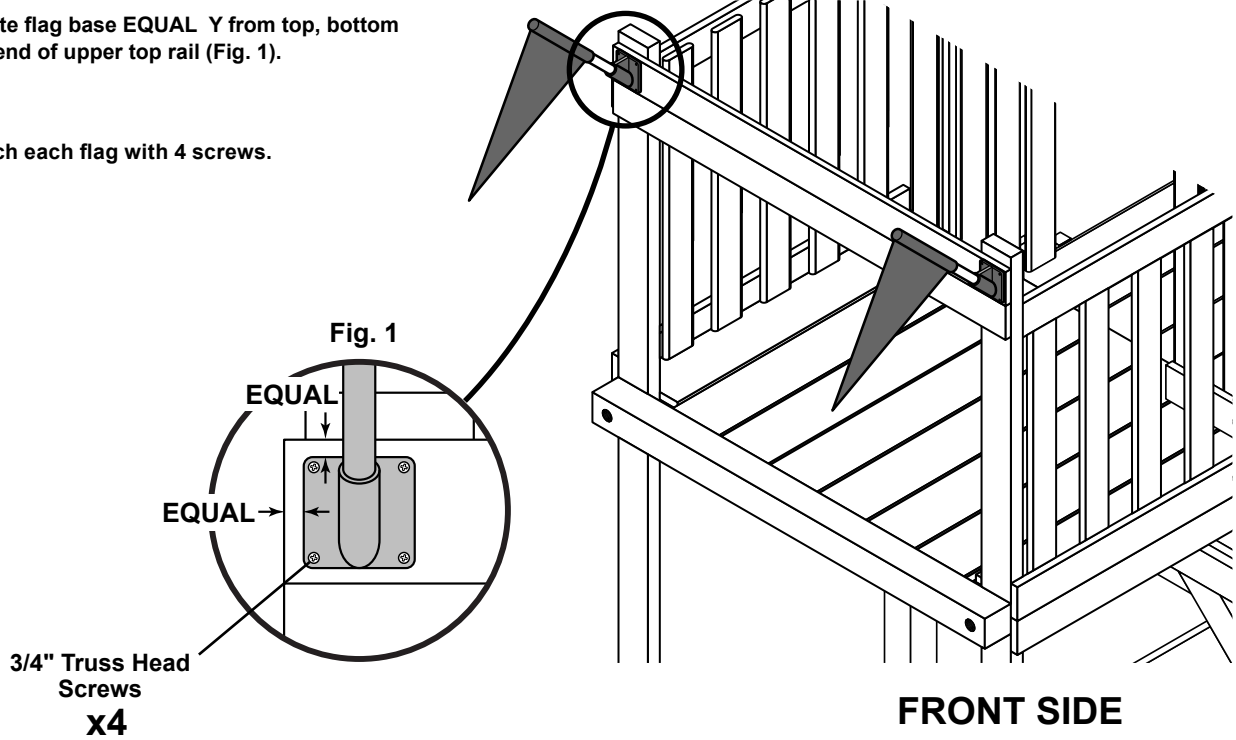
SAFETY HANDLE - ROCK WALL



ACCESSORIES

FLAGS

- 1 Locate flag base EQUAL Y from top, bottom and end of upper top rail (Fig. 1).
- 2 Attach each flag with 4 screws.

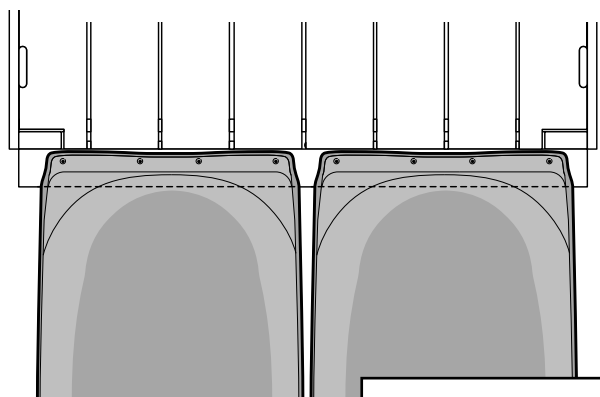


ACCESSORIES

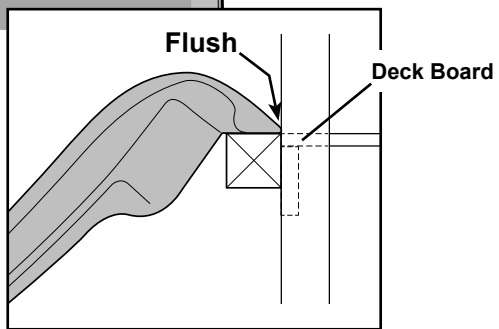
SLIDE

FOR 2660 AND SP 2680 SLIDES

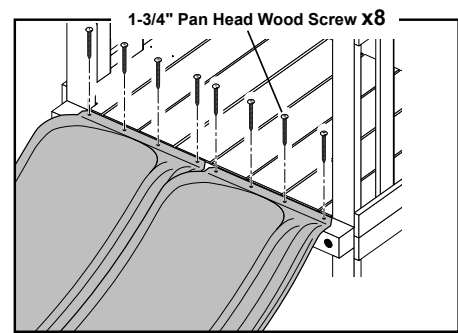
- 1 Locate Slides centered in the opening of the terrace.



NOTE:
Flush edge of slide to the end of deck boards.



- 2 Secure Slide using (4) 1-3/4" Pan Head Screws through slide and into deck board.

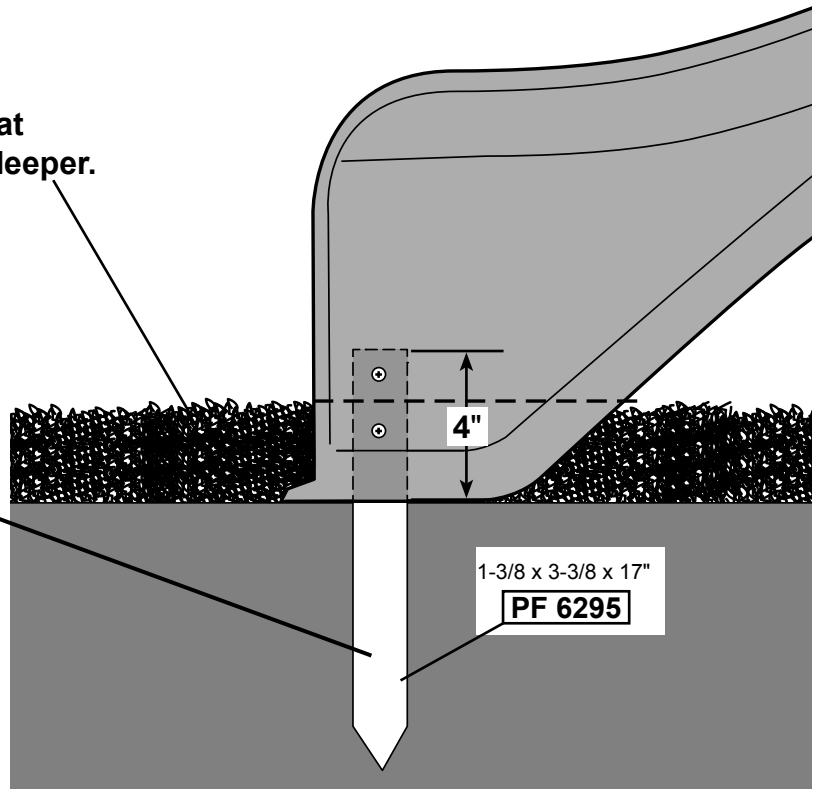


ACCESSORIES

SLIDE SURFACING MATERIAL (not supplied)

Apply Surfacing Material at recommended depth, or deeper.

Hammer PF 6295 Ground Stake into ground on either side of slide and attach to INSIDE slide wall using (2) 30 mm Screws.



(This page intentionally left blank.)

(This page intentionally left blank.)

(This page intentionally left blank.)

(This page intentionally left blank.)

WARRANTY

WARRANTY REGISTRATION

Backyard Play Systems warrants the following:

1. All wood components have a Limited Five Year Warranty.
2. All non-wood components* have a three year Limited Warranty.
*Ropes carry a one year Limited Warranty.
3. Installation labor has a three year Limited Warranty applicable on playsets installed by Backyard Play Systems. Labor warranty does NOT apply to Do-It-Yourself playset kits or kits installed by a third party.

Backyard Play Systems will repair, replace or pay for the affected part at our discretion. In no event shall Backyard Play Systems pay the cost of labor or installation or any other costs related thereto.

Non-residential use of the system is prohibited and will void this warranty as the system is designed for residential use only.

Conditions

The warranty is effective only when:

1. The unit has been erected in accordance with the assembly instructions.
2. The unit has been regularly and properly maintained and inspected.
3. The failure occurs when the unit is owned by the original purchaser.
4. This warranty is non-transferable
5. Backyard Play Systems has received a copy of your original proof of purchase with any claims in writing.
6. Backyard Play Systems has had reasonable opportunity during the sixty (60) days following the receipt of notification to inspect and verify the failure prior to commencement of any repair work.
7. "Significant color changes" to wood components is at the discretion of Backyard Products and require proof in the form of photographs or inspection by Backyard Play Systems.

Wooden components may have imperfections such as checks and knots. These are natural blemishes and imperfections which are inherent to wood. The imperfections not resulting in structural failure are not covered under this warranty.

Requirements

To validate your warranty it is necessary to fill out and mail in the enclosed warranty card. And also to maintain and inspect your playset regularly. Regularly is defined as once per start and end of season.

Claim Procedure

To make a claim under this warranty, you can either call 1-866-890-2211 or prepare a letter. Please have ready the information below when you call or include the information in writing:

1. The model and size of the product.
2. A list of the part(s) for which the claim is made.
3. Proof of purchase of the Backyard Play Systems item, as shown on the original invoice.
4. Run Code, as listed on the enclosed warranty card.

Mail the above information to:

Backyard Play Systems
Attn: Customer Service
1000 Ternes Dr.
Monroe, MI 48162

WARRANTY

Please feel free to call our Consumer Help Line Toll Free

1-866-890-2211

April through October M - F 8:00 AM to 6:00 PM EST

Saturday 8:30 AM to 4:30 PM EST

November through March M - F 8:00 AM to 5:00 PM EST

No warranty is offered on the following: (1) equipment subject to abuse, negligence, improper installation, vandalism, acts of God, unauthorized alteration or attachment to equipment other than our own: or (2) equipment subjected to improper use, service or repair by customer or any third party.

To the maximum extent permitted by law, this warranty and the remedies set forth herein are exclusive and expressly in lieu of all other warranties, expressed or implied, including warranties of merchantability or fitness for a particular purpose. If Backyard Play Systems cannot disclaim or exclude implied warranties under applicable law, then to the extent possible any claims under any such implied warranties shall expire on expiration of the applicable warranty period. Some states do not allow limitations on how long an implied warranty lasts, so the above limitation may or may not apply to you. Backyard Play Systems does not assume, or authorize any person to assume for us, any other liability in connection with the sale of our products.

To the maximum extent of the law, Backyard Play Systems assumes no responsibility for incidental or consequential damages which may arise from the purchase or use of our playset or equipment. Some states do not allow the exclusion or limitation of incidental or consequential damages, so the above limitation or exclusion may not apply to you.

If any provision of this limited warranty is invalid, void or unenforceable in any instance or respect, the unenforceable provision will be severed and reformed to effect the intent of this limited warranty to the maximum extent possible, and the remaining provisions shall continue in full force and effect and shall be enforced to the full extent permitted by law.

This warranty gives you specific legal rights, and you may also have other rights which vary from state to state.

- WARRANTY TERMS MAY VARY OUTSIDE THE U.S.A.**
- This manual is your warranty certificate. Please retain your original proof of purchase and this manual for any warranty claims.